

Television Picture Tube

PHILCO - LANSDALE DIVISIONCATHODE RAY TUBEDATA SHEET

Tentative

Description

The 19DUP4 is a 19" - 114° direct view rectangular glass picture tube having an aluminized screen, spherical faceplate, non ion trap gun, internal shielding and is designed to operate with electrostatic focus and magnetic deflection.

It is a "HiGm" tube designed to operate in cathode drive service under low G2 voltage conditions. The tube base is short and provides straight through leads oriented by an indexing lug. The tube has banded implosion protection.

Electrical Data

Focusing Method	Electrostatic
Deflection Method	Magnetic
Deflection Angle, approximate	
Horizontal.	102 Degrees
Vertical.	85 Degrees
Diagonal.	114 Degrees
Direct Interelectrode Capacitance, approximate	
Cathode to All.	4.0uuf
Grid #1 to All.	5.0uuf
External Coating Capacitance.	1150 Min. uuf
	1550 Max. uuf
Heater Voltage.	6.3 Volts
Heater Current at 6.3 Volts	0.45±5% Amperes
Heater Warm-up Time (Note 1)	11 Seconds

Optical Data

Phosphor Number	Aluminized P4
Fluorescent Color	White
Persistence	Medium Short
Faceplate	
Light Transmission at Center, approximate	48.5 Percent

Mechanical Data

Overall Length	11 3/4+7/32-3/16	Inches
Neck Length.	4 1/2+3/23-1/16	Inches
Greatest Dimensions of tube		
Diagonal18.868	Inches
Width.	16.644	Inches
Height	13.924	Inches
Minimum Useful Screen Dimensions 172 Sq. Inches		
(maximum assured dimensions)		
Diagonal	17 9/16	Inches
Width	15 1/8	Inches
Height	12	Inches
Bulb		J149F1
Base		B7-208
Basing		8HR
Anode Contact.		J1-21
Anode Contact Aligns with Pin #8 $\pm 30^\circ$		

CATHODE DRIVE SERVICE

Voltages are positive with respect to Grid #1 unless indicated otherwise.

Maximum Ratings (Design Maximum Values)

Anode Voltage (Note 2).	22,000	Volts DC
Grid #4 Voltage.	-550 Min. to +1100 Max.	Volts DC
Grid #2 Voltage.	80	Volts DC
Cathode Voltage		
Positive-Bias Value.	154 Max.	Volts DC
Positive-Peak Value.	220	Volts
Negative-Bias Value.	0	Volts DC
Negative-Peak Value.	2	Volts
Peak-Heater-Cathode Voltage		
Heater Negative with Respect to Cathode		
During Warm-up Period not to exceed		
15 seconds	450	Max. Volts
After Equipment Warm-up Period	200	Max. Volts
Heater Positive with Respect to		
Cathode.	200	Max. Volts

Typical Operating Conditions

Anode Voltage	16,000 Volts DC
Grid #4 Voltage for Focus	-200 Volts to +200 Volts DC
Grid #2 Voltage	50 Volts DC
Cathode Voltage (Note 3)	+33 to +45 Volts DC

Maximum Circuit Values

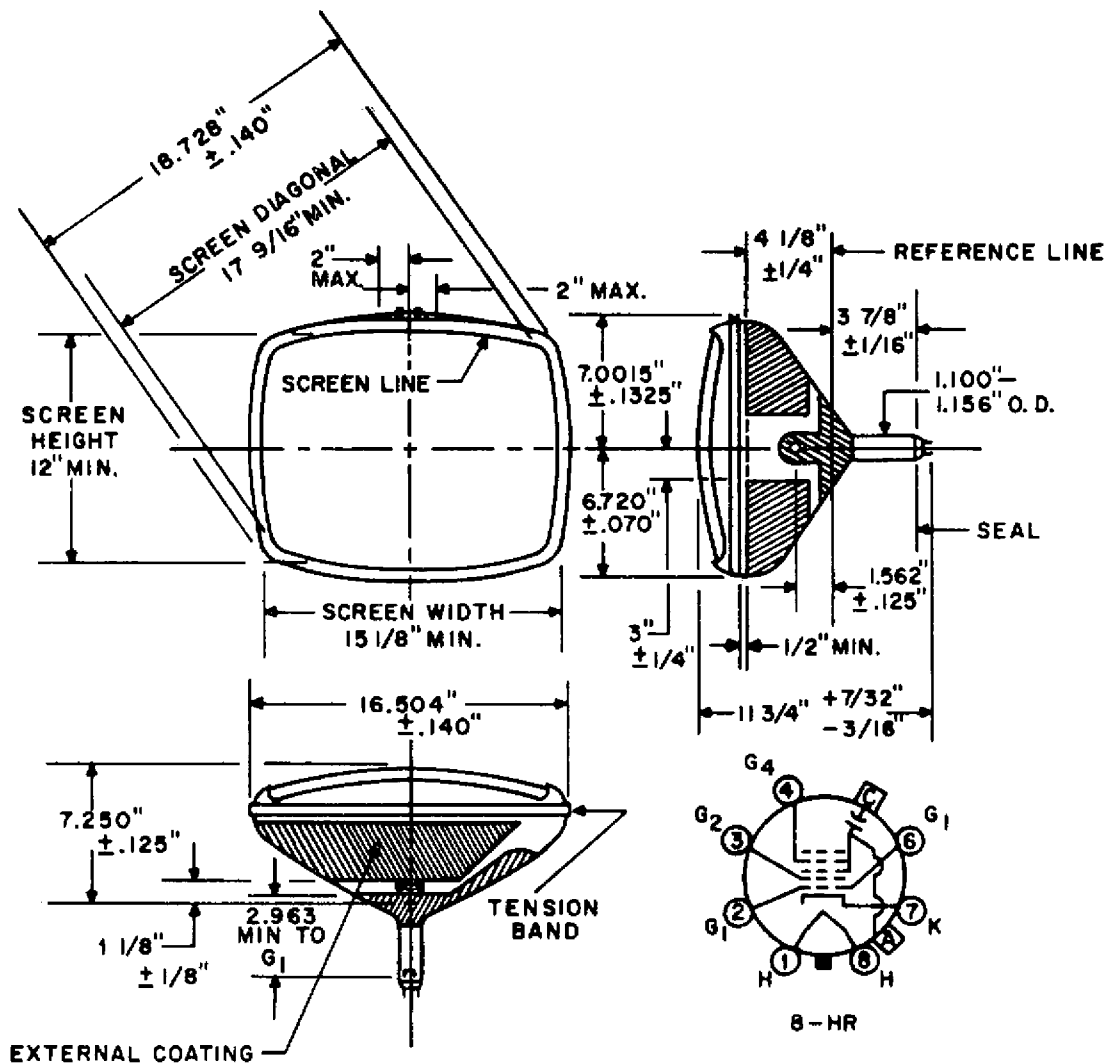
Grid #1 Circuit Resistance. 1.5 Max. Megs.

Notes

1. Heater warm-up time is defined as the time required for the voltage across the heater to reach 80% of its rated value after applying 4 times rated heater voltage to a circuit consisting of the tube heater in series with a resistance equal to 3 times the rated heater voltage divided by the rated heater current.
2. Anode, Grid #3, and Grid #5 are connected together within the tube and are referred to herein as anode.
3. For visual extinction of the focused raster. For cutoff of undeflected focus spot, the absolute value of the bias between cathode and grid will increase by about 4 volts.

PHILCO CORPORATION - LANSDALE DIVISION

Outline Drawing
19DUP4
Television Picture Tube



MECHANICAL NOTES

1. The reference line is determined by reference line gauge JEDEC #126.
2. The area around the button is covered with an insulating coating.
3. Socket for this base should not be rigidly mounted; it should have flexible leads and be allowed to move freely. The design of the socket should be such that the circuit wiring cannot impress lateral strains through the socket contacts on the base pins. Bottom circumference of the base wafer will fall within a circle concentric with bulb axis and having a diameter of 1 3/4".

WARNING

X-ray radiation shielding may be necessary to protect against possible danger of personal injury from prolonged exposure at close range if this tube is operated at anode voltages higher than 16,000 volts.