

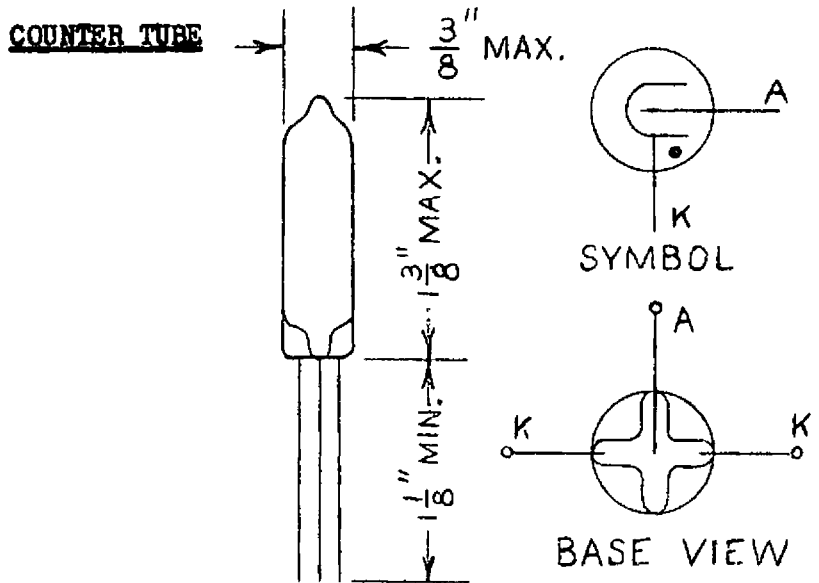
Manufactured by: The Victoreen Instrument Company
Cleveland, Ohio

Reservation No. _____

Manufacturer's Designation 1B87/VXG-11

Reservation Date _____

Data Bureau Designation 1B87



General Characteristics

Gamma
Self quench

Electrical

Geiger Threshold Voltage
Plateau Length
Relative Plateau Slope
Operating Voltage
Background at Operating Voltage
Electrode Capacitance

Max 850 volts d.c.
Min 100 volts
Max 10 % per 100 volts
Nom 900 volts d.c.
Nom 12 counts/min.
Static 1 uuf

Mechanical

See outline drawing
Wall thickness
Cathode Length

100 mg. per sq. cm.
8 inch.

Maximum Ratings

Ambient Temperature Range

0 to 100° C.

OCT 18 1948