



**ELECTRONIC
INNOVATIONS
IN ACTION**

TUBES

—PRODUCT INFORMATION—

7784

Planar Triode

**FOR GROUNDED-GRID CLASS A
UHF AMPLIFIER APPLICATIONS**

The 7784 is a high-mu, metal-and-ceramic triode intended for operation as a grounded-grid, Class A radio-frequency amplifier at frequencies as high as 3000 megacycles.

Features of the tube include small size, planar electrode construction with close spacing, inherent rigidity, and an envelope structure convenient for coaxial circuit applications.

At 1200 megacycles a noise figure of less than 8.5 decibels may be obtained when the 7784 is used in a grounded-grid coaxial circuit.

The 7784 differs from the 6299 only in having an isolated heater.

GENERAL

ELECTRICAL

Cathode - Coated Unipotential

Heater Characteristics and Ratings

Heater Voltage, AC or DC* 6.3±0.3 Volts

Heater Current† 0.3 Amperes

Direct Interelectrode Capacitances‡

Grid to Plate: (g to p) 1.75 pf

Grid to Cathode and Heater:

g to (h + k) 3.65 pf

Plate to Cathode and Heater:

p to (h + k) 0.015 pf

MECHANICAL

Operating Position - Any

Net Weight. 1/6 Ounce

Cooling - Conduction¶

MAXIMUM RATINGS

ABSOLUTE-MAXIMUM VALUES

Plate Voltage.	200	Volts
Positive DC Grid Voltage	0	Volts
Negative DC Grid Voltage	15	Volts
Plate Dissipation	2.0	Watts
DC Plate Current.	12	Milliamperes
DC Grid Current‡.	0Δ	Milliamperes
Heater-Cathode Voltage		
Heater Positive with Respect to Cathode	50	Volts
Heater Negative with Respect to Cathode	50	Volts
Envelope Temperature at Hottest Point.	150	C

Absolute-Maximum ratings are limiting values of operating and environmental conditions applicable to any electron tube of a specified type as defined by its published data and should not be exceeded under the worst probable conditions.

The tube manufacturer chooses these values to provide acceptable serviceability of the tube, making no allowance for equipment variations, environmental variations, and the effects of changes in operating conditions due to variations in the characteristics of the tube under consideration and of

all other electron devices in the equipment.

The equipment manufacturer should design so that initially and throughout life no absolute-maximum value for the intended service is exceeded with any tube under the worst probable operating conditions with respect to supply-voltage variation, equipment component variation, equipment control adjustment, load variation, signal variation, environmental conditions, and variations in the characteristics of the tube under consideration and of all other electron devices in the equipment.

The tubes and arrangements disclosed herein may be covered by patents of General Electric Company or others. Neither the disclosure of any information herein nor the sale of tubes by General Electric Company conveys any license under patent claims covering combinations of tubes with other devices or elements. In the absence of an

express written agreement to the contrary, General Electric Company assumes no liability for patent infringement arising out of any use of the tubes with other devices or elements by any purchaser of tubes or others.



Supersedes ET-F23 dated 12-61

CHARACTERISTICS AND TYPICAL OPERATION

AVERAGE CHARACTERISTICS

Plate Voltage	175	Volts
Grid Voltage	†.	---	Volts
Amplification Factor	110	
Plate Resistance, approximate	7300	Ohms
Transconductance	15000	Micromhos
Plate Current	10	Milliamperes
Plate Voltage, approximate I _b = 10 Milliamperes, E _c = 0 Volts	125	Volts

CLASS A₁ RF AMPLIFIER—GROUNDED-GRID, COAXIAL-TYPE CIRCUIT

Frequency	450	1200	1200	1200	3000	Megacycles
Plate Voltage	**	---	**	175	**	Volts
Plate-Supply Voltage††	---	300	---	---	---	Volts
Resistor in Plate Circuit (bypassed)	---	17500	---	---	---	Ohms
Grid Voltage§§	0	0	0	¶¶	0	Volts
Plate Current	10	10	10	10	10	Milliamperes
Bandwidth, min	9	10	10	10	10	Megacycles
Gain	17.5	17	17	17	11	Decibels
Noise Figure, Power Matched	4.5	8.2	8.0	8.5	13.2	Decibels

NOTES

- * The equipment designer should design the equipment so that heater voltage is centered at the specified bogey value, with heater supply variations restricted to maintain heater voltage within the specified tolerance.
- † Heater current of a bogey tube at E_f = 6.3 volts.
- § Without external shield.
- ¶ The electrical connections to the plate and cathode must provide good thermal conductivity from these electrodes. The plate contact must be sufficiently flexible to keep the lateral force on the plate terminal at a minimum.
- # The 7784 is rated only for Class A amplifier service.
- Δ Does not apply to initial-emission-velocity current
- ‡ Adjusted for I_b = 10 milliamperes.
- ** Adjust for I_b = 10 milliamperes; range must be variable from 75 to 200 volts.
- †† Supply should be regulated.
- §§ For operation above 1000 megacycles, the minimum noise figure will generally be obtained by operation at zero bias. For operation below 1000 megacycles, the use of a cathode resistor or grid bias should be evaluated for the particular application.
- ¶¶ Adjusted for I_b = 10 milliamperes; 200-ohm variable cathode resistor recommended.

INITIAL CHARACTERISTICS LIMITS

	Min.	Bogey	Max.	
Heater Current				
Ef = 6.3 volts.280	300	320	Milliamperes
Plate Voltage				
Ef = 6.3 volts, Ec = 0 volts, Eb adjusted for Ib = 10 ma.	75	125	175	Volts
Transconductance				
Ef = 6.3 volts, Eb = 175 volts, Ec adjusted for Ib = 10 ma	11500	15000	---	Micromhos
Amplification Factor				
Ef = 6.3 volts, Eb = 175 volts, Ec adjusted for Ib = 10 ma	85	110	140	
Heater-Cathode Leakage Current				
Ef = 6.3 volts, Ehk = 50 volts				
Heater Positive with Respect to Cathode	---	---	20	Microamperes
Heater Negative with Respect to Cathode	---	---	20	Microamperes
Interelectrode Leakage Resistance				
Ef = 6.3 volts, Polarity of applied d-c interelectrode voltage is such that no cathode emission results				
Grid to Cathode at 45 volts d-c	0.25	---	---	Megohms
Grid to Plate at 500 volts d-c	5.0	---	---	Megohms
Interelectrode Capacitances				
Grid to Plate: (g to p)	1.5	1.75	2.0	Picofarads
Grid to Cathode and Heater: g to (h + k).	3.0	3.65	5.0	Picofarads
Plate to Cathode and Heater: p to (h + k)	---	0.015	0.025	Picofarads

SPECIAL PERFORMANCE TESTS

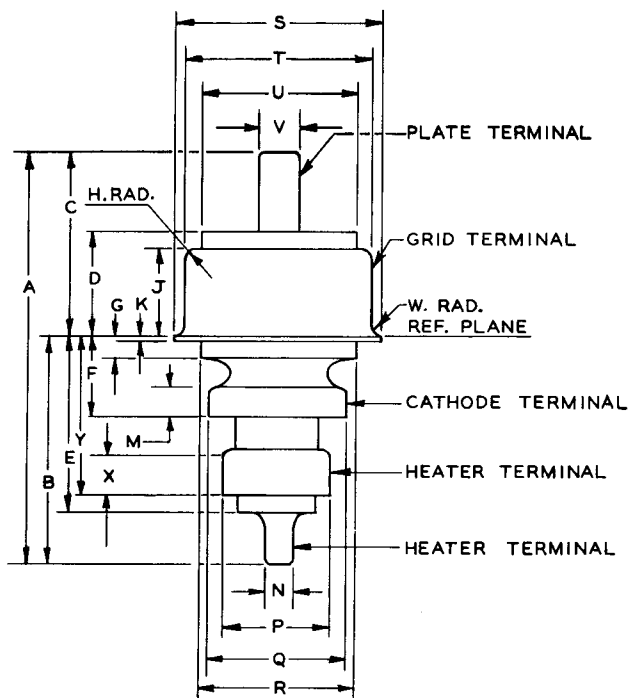
	Min.	Max.	
Noise Figure - 450 MC			
Ef = 6.3 volts, Ec = 0 volts, Eb adjusted for Ib = 10 ma, F = 450±5 MC	---	5.0	Decibels
Noise Figure - 1200 MC			
Ef = 6.3 volts, Ec = 0 volts, Eb adjusted for Ib = 10 ma, F = 1200±5 MC	---	8.5	Decibels
Power Gain - 450 MC			
Ef = 6.3 volts, Ec = 0 volts, Eb adjusted for Ib = 10 ma, F = 450±5 MC, Bandwidth = 9 MC, min.	15	---	Decibels
Power Gain - 1200 MC			
Ef = 6.3 volts, Ec = 0 volts, Eb adjusted for Ib = 10 ma, F = 1200±5 MC, Bandwidth = 10 MC, min	15	---	Decibels

DEGRADATION RATE TESTS

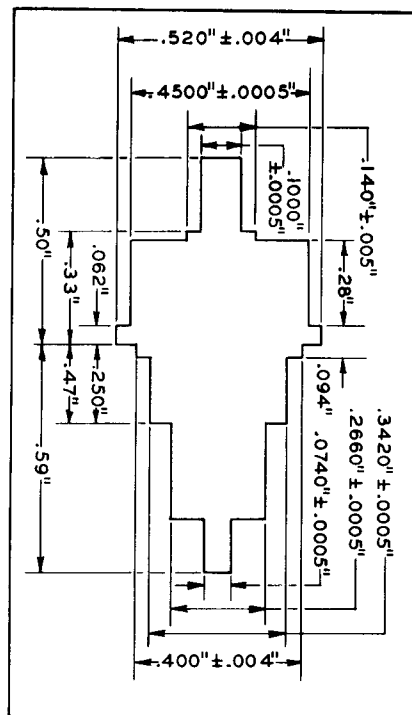
1000-Hour Life

Statistical sample operated for 1000 hours to evaluate changes in transconductance and noise figure with life.

PHYSICAL DIMENSIONS

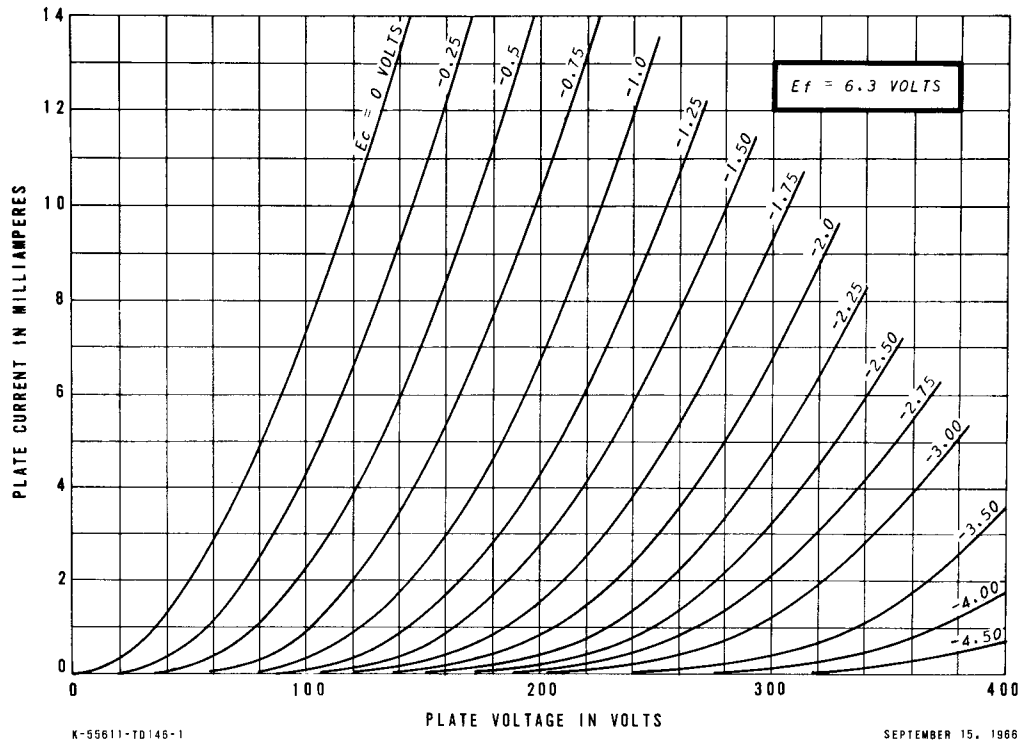


ALIGNMENT GAUGE

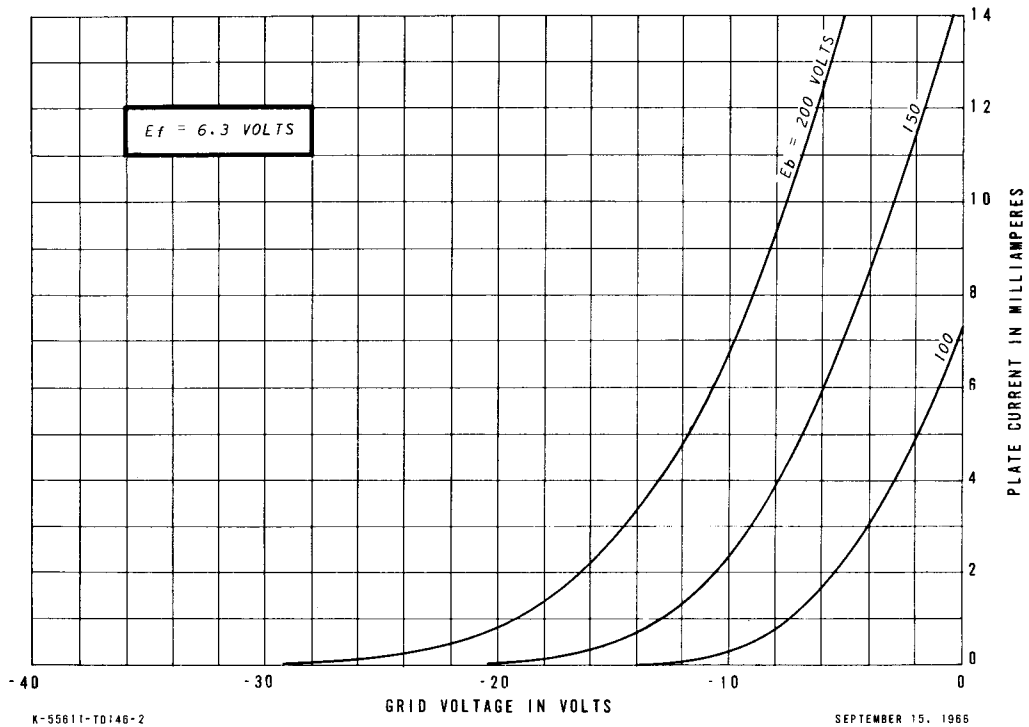


Ref.	INCHES		MILLIMETERS	
	Minimum	Maximum	Minimum	Maximum
A	0.960	1.040	24.38	26.42
B	0.530	0.590	13.46	14.99
C	0.410	0.470	10.41	11.94
D	---	0.272	---	6.91
E	---	0.475	---	12.07
F	0.163	0.193	4.14	4.90
G	---	0.060	---	1.52
H	---	0.030	---	0.76
J	0.190	0.210	4.83	5.33
K	0.009	0.015	0.23	0.38
M	0.040	0.070	1.02	1.78
N	0.059	0.065	1.50	1.65
P	0.247	0.257	6.27	6.53
Q	0.326	0.334	8.28	8.48
R	---	0.385	---	9.78
S	0.483	0.497	12.27	12.62
T	0.435	0.445	11.05	11.30
U	---	0.385	---	9.78
V	0.088	0.094	2.24	2.39
W	---	0.008	---	0.20
X	0.070	0.100	1.78	2.54
Y	0.355	0.395	9.02	10.05

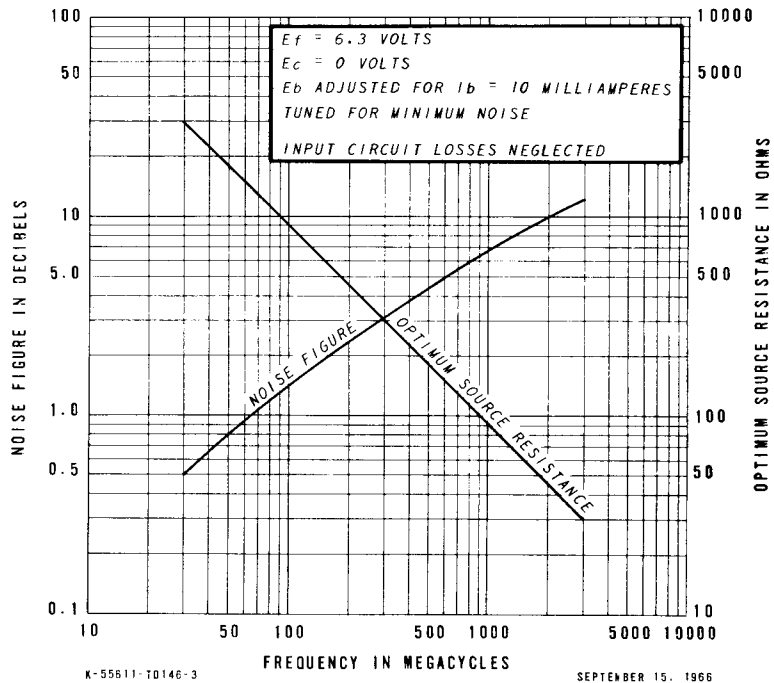
AVERAGE PLATE CHARACTERISTICS



AVERAGE TRANSFER CHARACTERISTICS



PREDICATED NOISE PERFORMANCE



TUBE DEPARTMENT
GENERAL  **ELECTRIC**
Owensboro, Kentucky