



Rectifier Type A 207

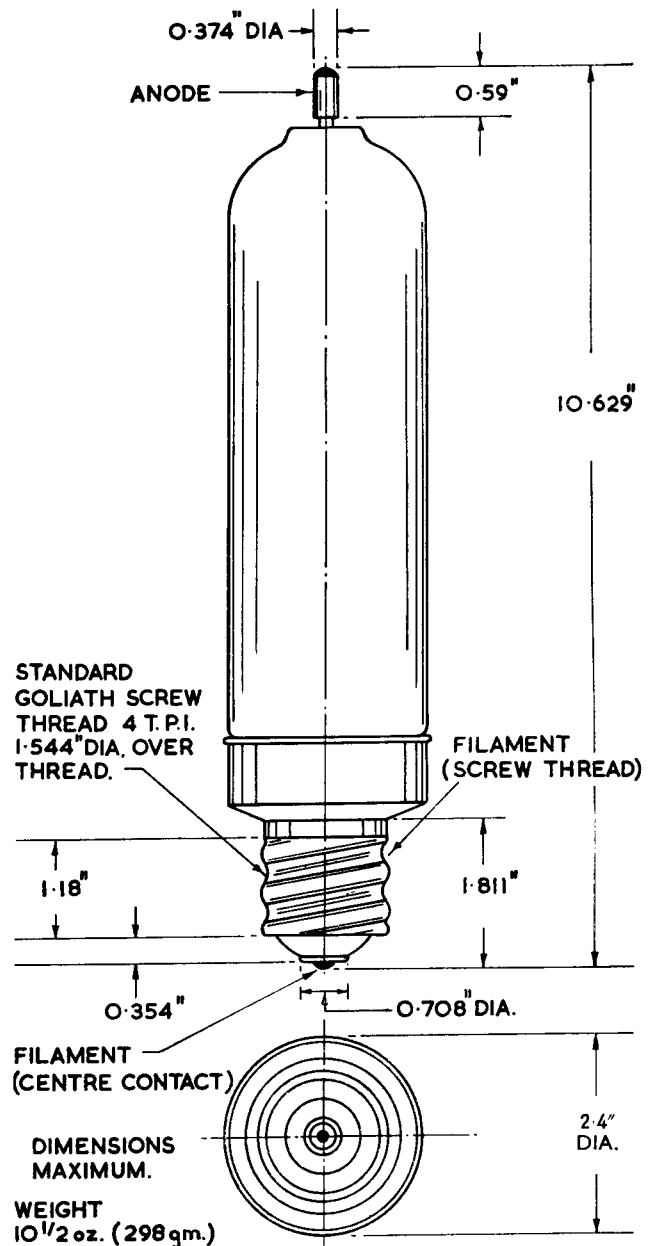
General. The A 207 is a high vacuum half-wave rectifier with a thoriated tungsten filament.

Cooling. The valve must have adequate ventilation. With an anode dissipation of 130 watts the anode will run at red heat.

Mounting. The holder of the valve must be sprung to prevent the transmission of sharp knocks to the valve. This is on account of the intrinsic brittleness of carbonised thoriated tungsten filaments. The valve is mounted on a Goliath Edison Screw base.

APPROXIMATE DATA

V_f	4	V
I_f	12	A
PIV (max)	40	kV
I_a (pk) (max)	1.1	A
P_a (max)	130	W
r_a	600	Ω



MARCONI'S WIRELESS TELEGRAPH COMPANY LIMITED

Chelmsford, Essex, England. Telephone: Chelmsford 3221. Telex: 1953. Telegrams: Expanse Chelmsford Telex



PRINTED IN ENGLAND