



Excellence in Electronics

**TYPE
CK5678**

The CK5678 is a filament type, fully shielded, subminiature pentode designed for service in RF applications requiring economy of space, weight, and battery drain. The flexible terminal leads may be soldered or welded directly to the terminals of circuit components without the use of sockets. Standard inline subminiature sockets may be used by cutting the leads to a suitable length.

MECHANICAL DATA

ENVELOPE: T-2 X 3 Glass ●

BASE: None (0.016" tinned flexible leads. Length: 1.5" min.

Spacing: 0.048" center-to-center.)

TERMINAL CONNECTIONS: (Red dot is adjacent to Lead 1)

Lead 1 Plate	Lead 4 Grid #1
Lead 2 Grid #2	Lead 5 Filament, positive;
Lead 3 Filament, negative; Shield;	Grid #3 ■
Grid #3 ■	

MOUNTING POSITION Any

ELECTRICAL DATA DATA

DIRECT INTERELECTRODE CAPACITANCES: ($\mu\text{fds.}$)

Grid to Plate	0.01 max.
Input	3.3
Output	3.8

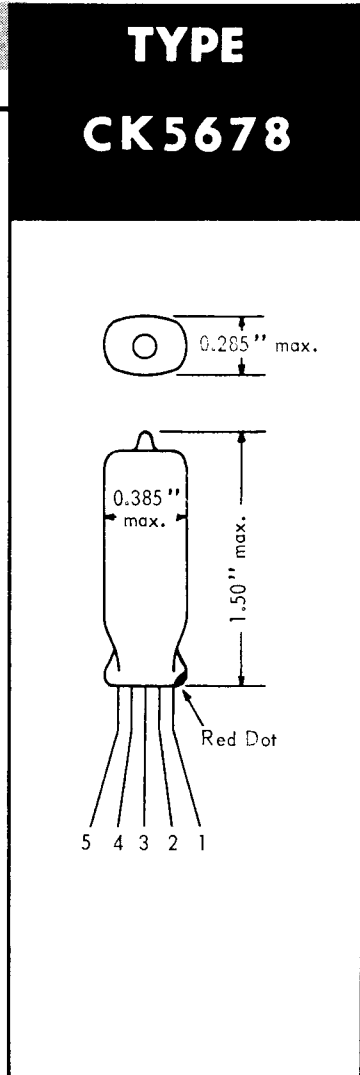
RATINGS - ABSOLUTE MAXIMUM VALUES:

Filament Voltage (dc)	1.25 ± 20% volts
Plate Voltage	90 volts
Grid #2 Voltage	67.5 volts

CHARACTERISTICS AND TYPICAL OPERATION - CLASS A1 AMPLIFIER:

Filament Voltage (dc)	1.25	1.25 volts
Filament Current	50	50 ma.
Plate Voltage	45	67.5 volts
Grid #2 Voltage	45	67.5 volts
Grid #1 Voltage ♦	0	0 volts
Plate Resistance	1.2	1.0 meg.
Transconductance	820	1100 μmhos
Plate Current	0.8	1.8 ma.
Grid #2 Current	0.22	0.48
Grid #1 Voltage (approx.) for $G_m = 10 \mu\text{mhos}$	-3	-4 volts

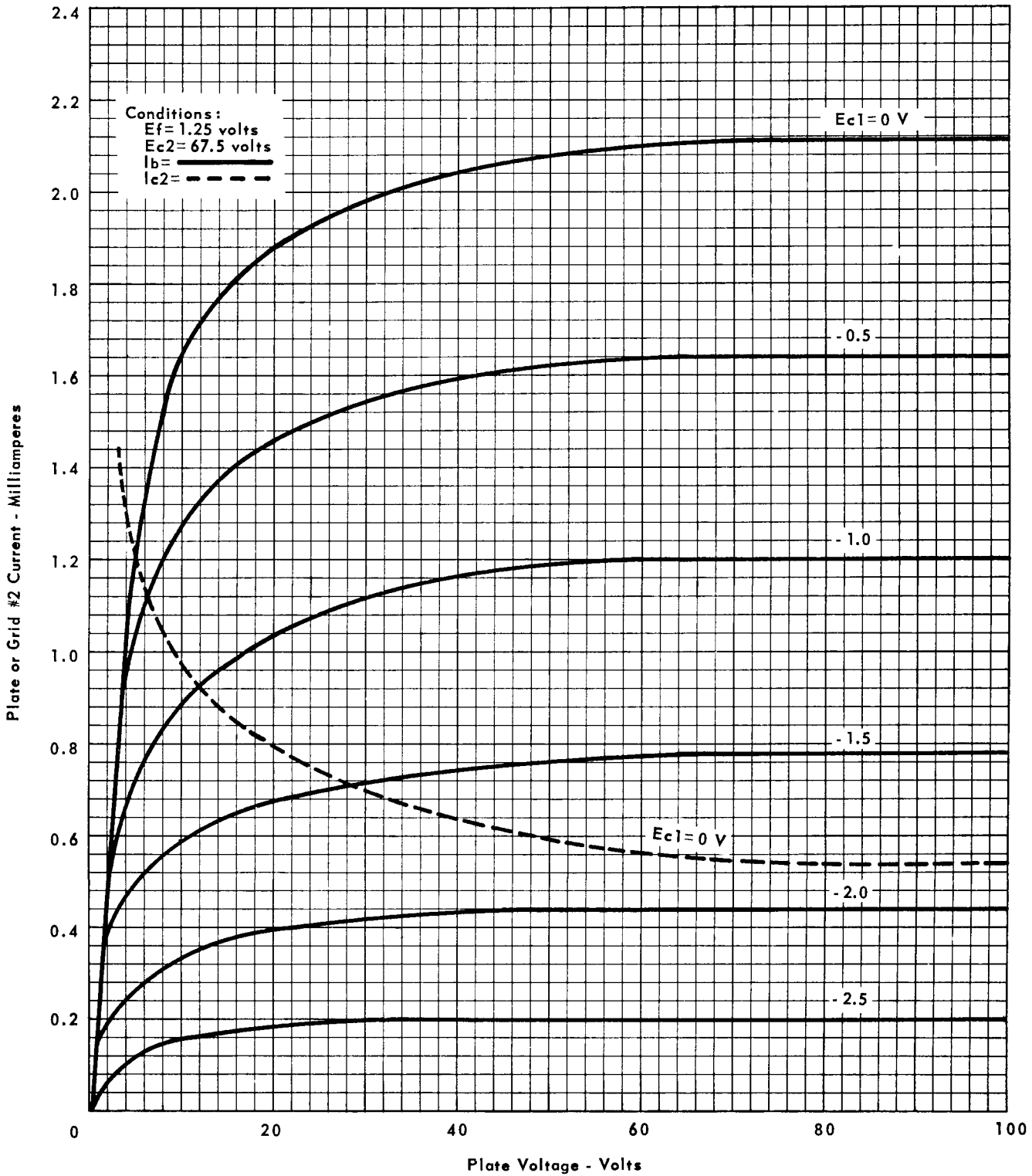
- Bulb is entirely coated with a metallic shield connected to Lead 3.
- Grid #3 is comprised of two separate deflector plates, one of which is connected to lead 3 and the other to lead 5.
- ♦ Grid resistor = 5 megohms.





SUBMINIATURE PENTODE

AVERAGE PLATE CHARACTERISTICS



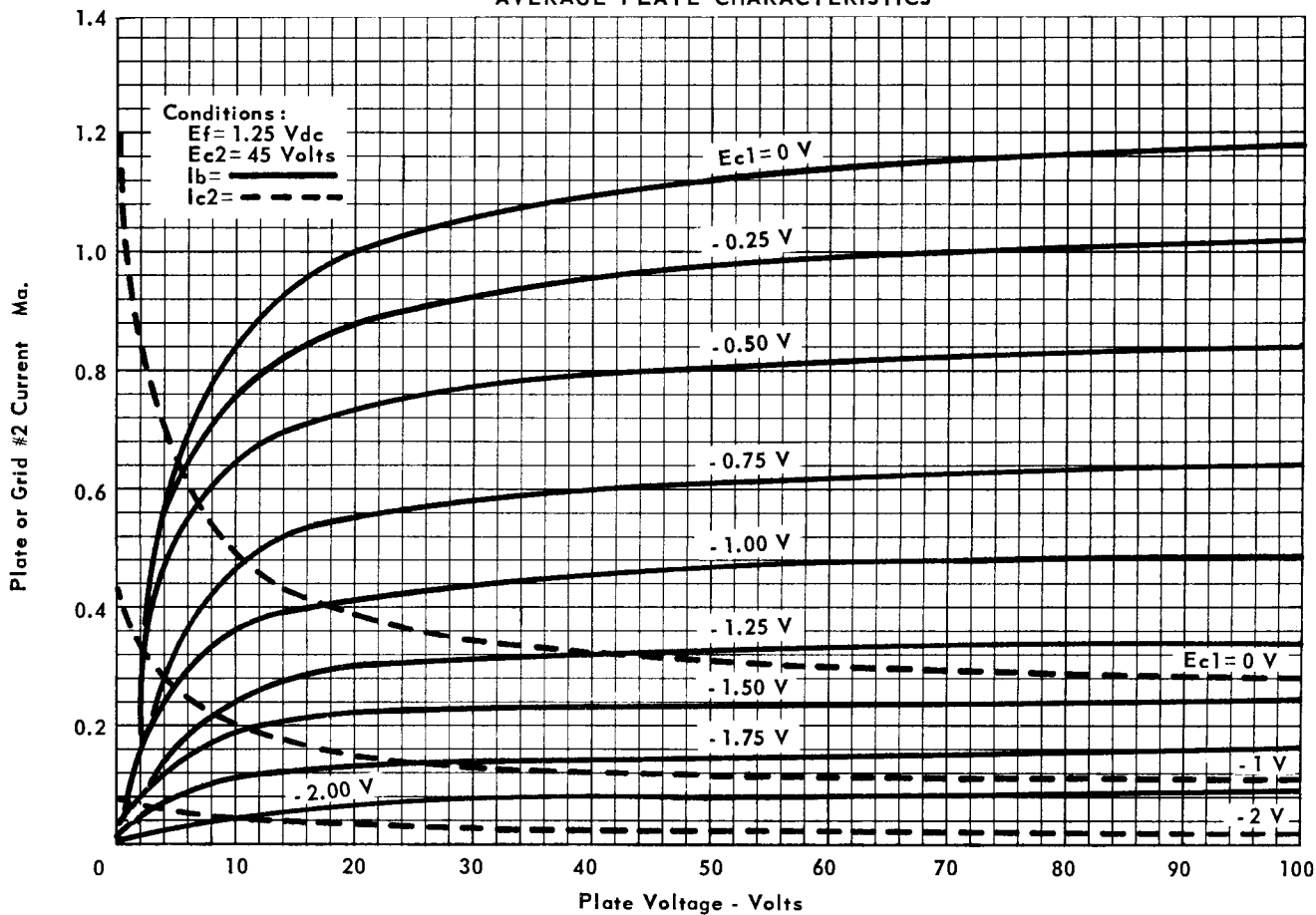
RAYTHEON MANUFACTURING COMPANY

RECEIVING AND CATHODE RAY TUBE OPERATIONS



SUBMINIATURE PENTODE

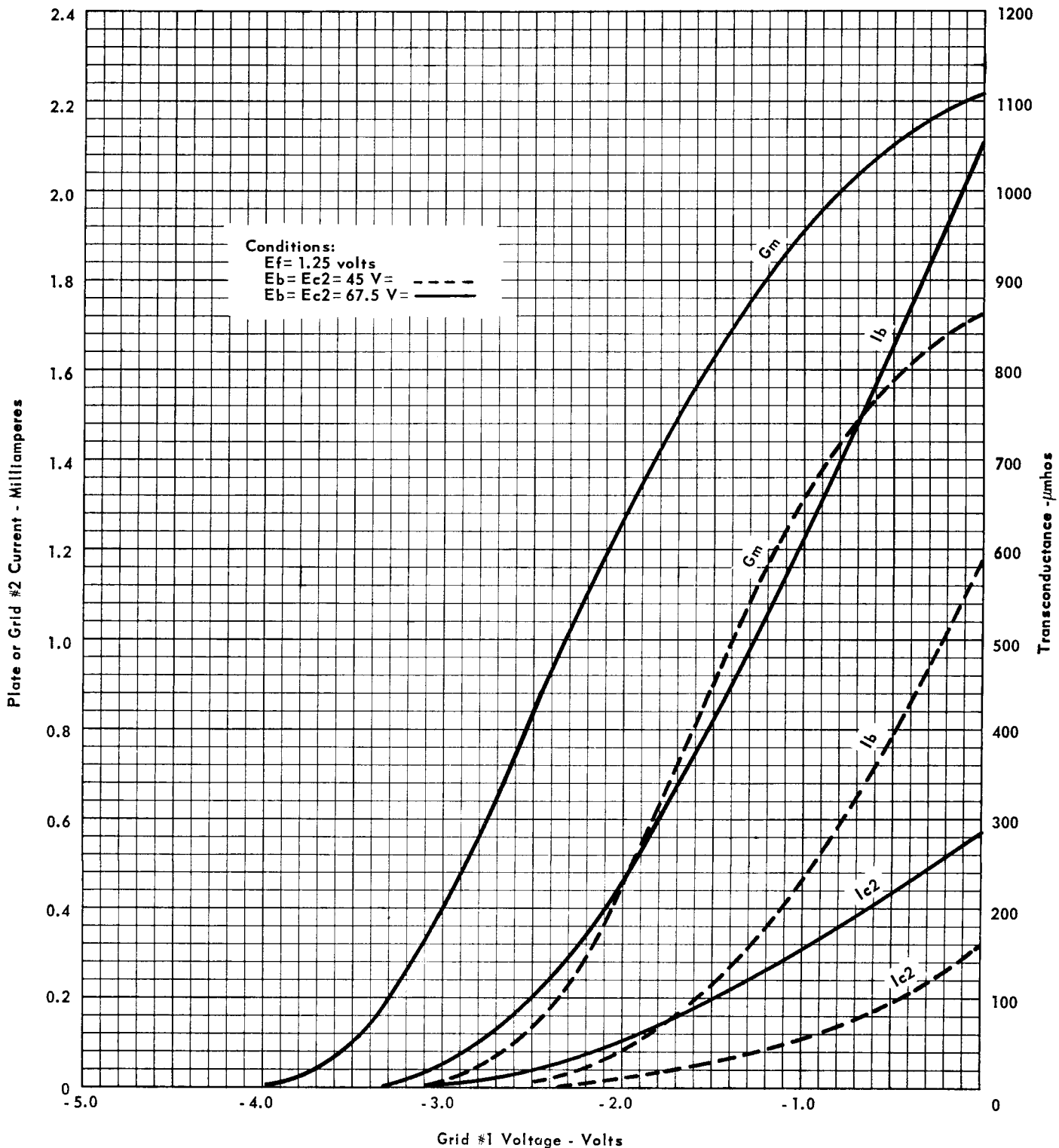
AVERAGE PLATE CHARACTERISTICS





SUBMINIATURE PENTODE

AVERAGE CHARACTERISTICS



RAYTHEON MANUFACTURING COMPANY
 RECEIVING AND CATHODE RAY TUBE OPERATIONS



SUBMINIATURE PENTODE

AVERAGE PLATE CHARACTERISTICS
(Triode Connected)

