

SUBMINIATURE R.F. PENTODE

DF62

Subminiature sharp cut-off R.F. Pentode for use in battery operated equipment.

FILAMENT

Suitable for d.c. operation only

V_f	1.25	V
I_f	100	mA

CAPACITANCES

C_{a-g1}	< 0.01	pF
C_{in}	4.0	pF
C_{out}	4.0	pF

CHARACTERISTICS

V_n	45	V
V_{g2}	45	V
V_{g1}	0	V
R_{g1}	2.0	M Ω
I_n	3.0	mA
I_{g2}	800	μ A
g_m	2.0	mA/V
r_a	500	k Ω
μ_{g1-g2}	17.5	
R_{in} ($f = 50$ Mc/s)	20	k Ω
R_{oq}	5.5	k Ω

OPERATING CONDITIONS AS A FREQUENCY CHANGER

V_n	45	67.5	V
V_{g2}	45	67.5	V
R_{g1-r}	100	100	k Ω
I_n	0.8	1.4	mA
I_{g2}	250	450	μ A
$V_{OSC(r.m.s.)}$	3.5	4.0	V
I_{g1}	40	45	μ A
g_c	490	600	μ A/V
g_m (eff)	600	800	μ A/V
r_n	525	450	k Ω

LIMITING VALUES

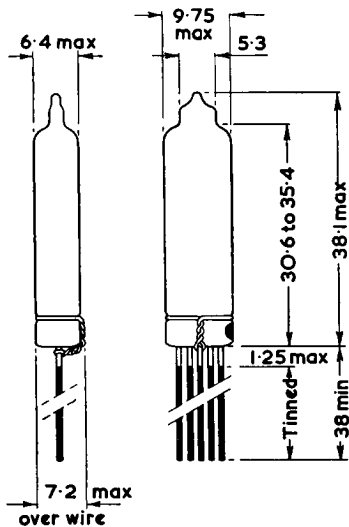
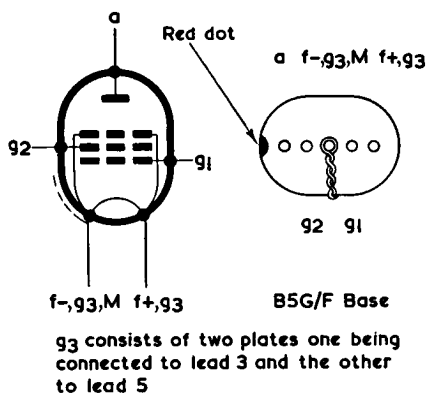
V_n max.	90	V
V_{g2} max.	90	V
I_k max.	6.5	mA
V_{g1} ($I_{g1} = +0.5 \mu$ A)	-0.5	V

DF62

SUBMINIATURE R.F. PENTODE

Subminiature sharp cut-off R.F. Pentode for use in battery operated equipment.

2926



All dimensions in mm