

# 19EGP4

## Picture Tube

### FILLED-RIM TYPE

114° MAGNETIC DEFLECTION

LOW GRID-No.2 VOLTAGE

#### Direct Interelectrode Capacitances

Cathode to all other electrodes . . . . .	5	pF
Grid No.1 to all other electrodes . . . . .	6	pF
External conductive coating to anode <sup>a</sup> 1000 min—1500 max		pF
Heater Current at 6.3 V . . . . .	450 ± 20	mA
Heater Warm-Up Time (Average) . . . . .	11	s
Electron Gun. . . . .	Type Requiring No Ion-Trap Magnet	

#### OPTICAL

Phosphor. . . . .	.P4—Sulfide Type, Aluminized	
For curves, see front of this section		
Faceplate . . . . .	Filterglass	
Light transmission at center (Approx.). . . . . 48%		

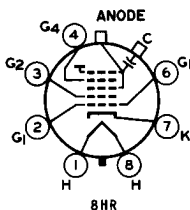
#### MECHANICAL

Weight (Approx.). . . . .	16 lb
Overall Length. . . . .	11.625 ± .250 in
Neck Length . . . . .	4.375 ± .125 in
Projected Area of Screen. . . . .	172 sq in
<b>External Conductive Coating</b>	

Type (See CRT OUTLINES 1 at front of this section). . . . .	Modified-Band
Contact area for grounding. . . . .	Near Reference Line
Cap . . . . .	Recessed Small Cavity (JEDEC No. J1-21)
Base. . . . .	Small-Button Neoeightar 7-Pin, Arrangement 1, (JEDEC No. B7-208)

#### TERMINAL DIAGRAM (Bottom View)

- Pin 1—Heater
- Pin 2—Grid No.1
- Pin 3—Grid No.2
- Pin 4—Grid No.4
- Pin 6—Grid No.1
- Pin 7—Cathode
- Pin 8—Heater



- Cap—Anode (Grid No.3, Grid No.5, Screen, Collector)
- C—External Conductive Coating

#### MAXIMUM AND MINIMUM RATINGS, DESIGN-MAXIMUM VALUES

*Voltages are positive with respect to grid No.1*

Anode Voltage . . . . .	12000 min—21000 max	V
<b>Grid-No.4 Voltage</b>		
Positive value. . . . .	1250 max	V
Negative value. . . . .	400 max	V
<b>Grid-No.2 Voltage</b> . . . . .	25 min—60 max	V
<b>Cathode Voltage</b>		
Negative peak value . . . . .	2 max	V
Negative bias value . . . . .	0 max	V
Positive bias value . . . . .	100 max	V
Positive peak value . . . . .	150 max	V



# 19EGP4

Heater Voltage. . . . . 5.7 min—6.9 max V

**Peak Heater-Cathode Voltage**

Heater negative with respect to cathode:

During equipment warm-up period  $\leq 15$  s. . . . . 450 max V  
 After equipment warm-up period. . . . . 300 max V

Heater positive with respect to cathode:

Combined AC & DC voltage. . . . . 200 max V  
 DC component. . . . . 100 max V

**TYPICAL OPERATING CONDITIONS FOR CATHODE-DRIVE SERVICE**

*Voltages are positive with respect to grid No.1*

Anode Voltage . . . . . 16000 V  
 Grid-No.4 Voltage . . . . . 0 to 400 V  
 Grid-No.2 Voltage . . . . . 50 V  
 Cathode Voltage . . . . . 32 to 50 V

For visual extinction of focused raster

Field Strength. . . . . 0 to 8 G  
 Of required adjustable centering magnet

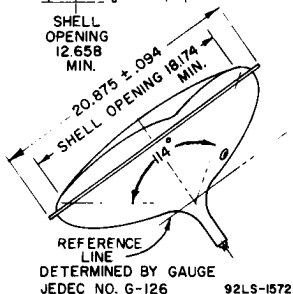
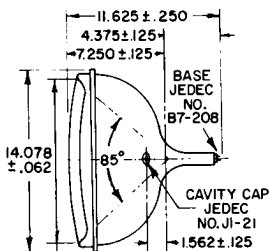
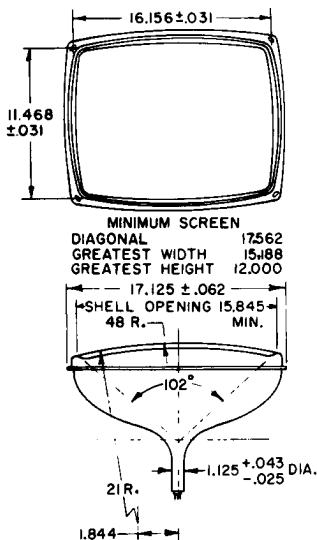
**MAXIMUM CIRCUIT VALUE**

Grid-No.1 Circuit Resistance. . . . . 1.5 max  $\Omega$

<sup>a</sup> Includes implosion protection hardware.

**DIMENSIONAL OUTLINE  
 (Bulb J149 F)**

**DIMENSIONS IN INCHES**



92LS-1572

