

Picture Tube

PAN-O-PLY TYPE

114° MAGNETIC DEFLECTION

ELECTRICAL

Direct Interelectrode Capacitances

Cathode to all other electrodes . . .	5	pF
Grid No.1 to all other electrodes . .	6	pF
External conductive coating to anode. 1000 min—1500 max		pF
Heater Current at 6.3 V	450 ± 20	mA
Heater Warm-Up Time (Average)	11	s
Electron Gun.	Type Requiring No Ion-Trap Magnet	

OPTICAL

Phosphor.	P4—Sulfide Type, Aluminized
For curves, see front of this section	
Faceplate	Filterglass
Light transmission at center (Approx.).	54%

MECHANICAL

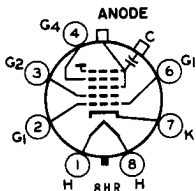
Weight (Approx.).	9.5 lb
Overall Length.	10.569 ± 0.242 in
Neck Length	4.375 ± 0.125 in
Projected Area of Screen.	125 sq in
External Conductive Coating ^a	

Type (See CRT OUTLINES 1 at front of this section) .Regular-Band
Contact area for grounding. Near Reference Line

Cap	Recessed Small Cavity (JEDEC No. J1-21)
Base.	Small-Button Neoeightar 7-Pin, Arrangement 1, (JEDEC No. B7-208)

TERMINAL DIAGRAM (Bottom View)

- Pin 1—Heater
- Pin 2—Grid No.1
- Pin 3—Grid No.2
- Pin 4—Grid No.4
- Pin 6—Grid No.1
- Pin 7—Cathode
- Pin 8—Heater



- Cap—Anode
(Grid No.3,
Grid No.5,
Screen,
Collector)
- C—External
Conductive
Coating

MAXIMUM AND MINIMUM RATINGS, DESIGN-MAXIMUM VALUES

Voltages are positive with respect to cathode

Anode Voltage	10000 min—18000 max	V
Grid-No.4 Voltage		
Positive value.	1100 max	V
Negative value.	550 max	V
Grid-No.2 Voltage	200 min—550 max	V
Grid-No.1 Voltage		
Negative peak value	220 max	V
Negative bias value	155 max	V
Positive bias value	0 max	V
Positive peak value	2 max	V



16CMP4A

Heater Voltage	5.7 min—6.9 max	V
Peak Heater-Cathode Voltage		
Heater negative with respect to cathode:		
During equipment warm-up period ≤ 15 s	450 max	V
After equipment warm-up period	300 max	V
Heater positive with respect to cathode:		
Combined AC & DC voltage	200 max	V
DC component	100 max	V

TYPICAL OPERATING CONDITIONS FOR CATHODE-DRIVE SERVICE

Voltages are positive with respect to grid No. 1

Anode Voltage	16000	V
Grid-No. 4 Voltage	-100 to 300	V
Grid-No. 2 Voltage	300	V
Cathode Voltage	28 to 60	V
For visual extinction of focused raster		
Field Strength	0 to 8	G
Of required adjustable centering magnet		

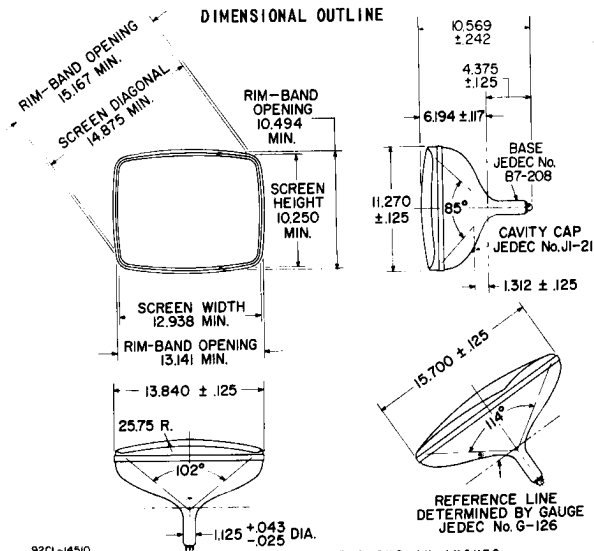
MAXIMUM CIRCUIT VALUE

Grid-No. 1 Circuit Resistance	1.5 max	M Ω
---	---------	------------

^a Includes implosion protection hardware.

For X-radiation shielding considerations, see sheet
X-RADIATION PRECAUTIONS FOR CATHODE-RAY TUBES
 at front of this section

DIMENSIONAL OUTLINE



92CL-14510

DIMENSIONS IN INCHES

