

PHILIPS

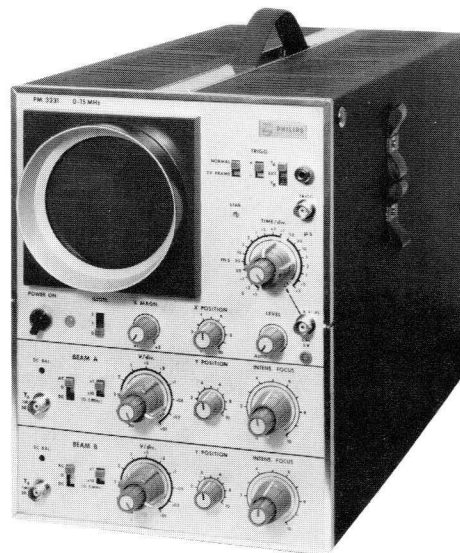


PM 3231

9499 440 08211

5/471/04/05

PHILIPS



MANUAL

DOUBLE-BEAM OSCILLOSCOPE

PM 3231

9444 032 31 .. 1



IMPORTANT

In correspondence concerning this instrument, please quote the type number and serial number as given on the type plate at the bottom of the instrument.

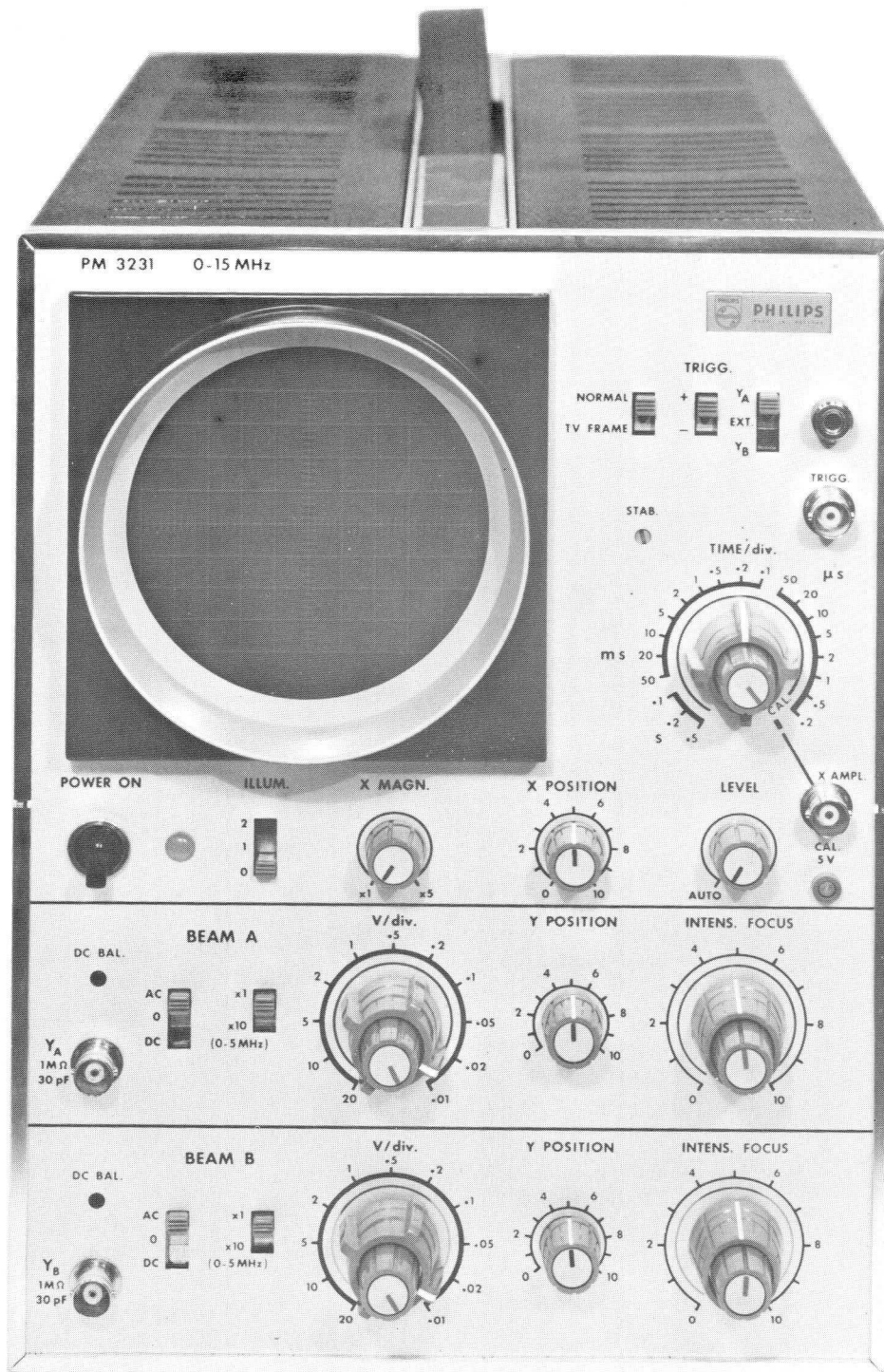
CONTENTS

GENERAL INFORMATION	7
I. Introduction	7
II. Technical data	8
III. Accessories	11
IV. Description of the block diagram	12
DIRECTIONS FOR USE	17
V. Installation	17
A. Adjustment to the local mains voltage	17
B. Fuse	17
C. Earthing	17
D. Switching on	17
E. Checking the cathode-ray tube	17
VI. Operation	18
A. Controls, sockets and their functions	18
B. Displaying signals	19
C. Internal triggering	20
D. External triggering	20
E. Triggering with variable trigger level	20
F. Triggering on video signals	20
G. Horizontal deflection with an external voltage	20
H. Brightness modulation	20
VII. Applications	21
SERVICE DATA	24
VIII. Circuit description	24
A. Vertical amplifiers	24
B. Trigger pulse shaper	26
C. Time base generator	27
D. Beam deflection	28
E. Horizontal amplifier	29
F. Cathode-ray tube circuit	29
G. Calibration voltage generator	29
H. Power supply	29
IX. Gaining access to the components	30
A. Removing the side panels	30
B. Removing the knobs	30
C. Removing the protective cap and graticule	31
D. Gaining access to the delay line	31
X. Adjusting elements and their functions	32

XI. Checking and adjusting	38
A. General	38
B. Power supply	38
C. Cathode-ray tube circuit	38
D. Vertical amplifiers	40
E. Calibration voltage	43
F. Horizontal amplifier	43
G. Time base generator	44
XII. Replacing parts	47
A. General	47
B. Replacing the cathode-ray tube	47
C. Replacing transistor BCY87	47
XIII. Information for assistance in fault-finding	48
A. Transformer data	48
B. Voltage levels and voltage waveforms	48
XIV. Information on the accessories	49
A. Adaptor PM 9051	49
B. Measuring probe sets	49
C. Viewing hood	52
D. Carrying case	52
E. Multi-purpose oscilloscope camera PM 9380	53
F. Adaptor PM 9374	53
XV. List of parts	54
A. Mechanical parts	54
B. Electrical parts	59
C. Parts of the measuring probes PM 9326 and PM 9327	68

LIST OF FIGURES

1. Front view	6
2. Block diagram	14
3. Rear view	15
4. Controls and sockets	15
5. Simplified diagram of the control circuit	25
6. Simplified diagram of the time base generator	27
7. Removing the knobs	30
8. Removing the protective cap and the measuring graticule	31
9. Left-hand side view with adjusting elements	34
10. Right-hand side view with adjusting elements	35
11. Attenuator unit	41
12. Squarewave response	42
13. Band width	42
14. Transistors BCY87 and coupled pair "2xBC109C" seen from below	47
15. Adaptor PM 9051	49
16. Probe set	50
17. Adjustment of attenuator probe	51
18. Viewing hood	52
19. Carrying case	52
20. Camera-set PM 9380	53
21. Adaptor PM 9374	53
22. Front view with indication of item numbers	55
23. Rear view with indication of item numbers	56
24. Bottom view with indication of item numbers	56
25. Attenuator unit for channel A	70
26. Attenuator unit for channel B	70
27. Circuit diagram of the attenuator for channel A	72
28. Circuit diagram of the attenuator for channel B	72
29. Printed wiring board of vertical amplifiers	73
30. Circuit diagram of vertical amplifier for channel A	77
31. Circuit diagram of vertical amplifier for channel B	77
32. Oscillograms	78
33. Printed wiring board of time base generator and horizontal amplifier	78
34. Circuit diagram of time base generator and horizontal amplifier	82
35. Printed wiring board of H.T. unit	83
36. Printed wiring board of supply unit	83
37. Circuit diagram of H.T. unit and supply unit	86
38. Circuit diagram of the complete PM 3231	



MA 6361

Fig. 1. Front view

General information

I. INTRODUCTION

The double-beam oscilloscope PM 3231 has been equipped with a cathode-ray tube having two electron guns. The screen of this tube has been provided with metal-backed phosphor, so that a high brilliance and a sharp spot are obtained.

Focusing and brightness of the two beams can be adjusted independent of each other.

The two identical vertical amplifiers, the horizontal amplifier and the time base generator are fully transistorised.

The input stages use field effect transistors, so that high input impedances are obtained.

Zero line locking is obtained by means of drift feedback.

The instrument incorporates two signal delay lines.

II. TECHNICAL DATA

Vertical amplifiers

Frequency range	<p>Position "x1":</p> <ul style="list-style-type: none"> - in position DC of the selector: 0 Hz ... 15 MHz (-3 dB) - in position AC of the selector: 2 Hz ... 15 MHz (-3 dB) <p>Rise time: 23 ns</p> <p>Position "x10":</p> <ul style="list-style-type: none"> - in position DC of the selector: 0 Hz ... 5 MHz (-3 dB) - in position AC of the selector: 2 Hz ... 5 MHz (-3 dB) <p>Rise time: 70 ns</p>
Deflection coefficient	<p>Position "x1":</p> <p>10 mV per division up to 20 V per division, in 11 calibrated steps (sequence 1, 2, 5)</p> <p>Position "x10":</p> <p>in this position the max. sensitivity is increased to 1 mV per division.</p> <p>Continuous control of the coefficients between the steps is possible (non-calibrated).</p>
Effective signal delay	≥ 50 ns
Measuring error	<p>in position "x1" : 3 %</p> <p>in position "x10": 4 %</p>
Input impedance	1 M Ω //30 pF
Max. input voltage	500 V (direct voltage + peak value of the alternating voltage)
Max. deflection	<p>For sinewave signals with frequencies up to 1 MHz the vertical deflection is undistorted for a total amplitude of 24 divisions.</p> <p>With the aid of the "Y POSITION" controls the peaks of the signal can be displayed.</p>
Balance controls	Balance controls have been provided on the front panel for correction of the dc balance in the first amplifier stages.
D. C. drift	Smaller than 1 division per hour at constant ambient temperature.
Calibration voltage	<p>For adjusting the sensitivity of the vertical amplifiers and the squarewave response of the measuring probes a square-wave voltage is available at a socket on the front panel.</p> <p>The amplitude is 5 V_{p-p} \pm 1 % and the frequency is approx. 2.5 kHz.</p>

Time base generator

Time coefficient	<p>0.2 μs per division up to 0.5 s per division, in 20 calibrated steps (sequence 1, 2, 5).</p> <p>Continuous control of the coefficients between the steps is possible (not calibrated).</p>
Measuring error	< 5 %
Expansion	<p>The horizontal deflection can be expanded up to 5 times (50 divisions) by a non-calibrated continuous control. At maximum expansion the extremities of the time base line can be displayed with the X POSITION control.</p> <p>At maximum expansion the highest sweep time is 40 ns per division and the accuracy of the sweep times is \pm 10 %.</p>

Sawtooth voltage A sawtooth voltage of 8 Vp-p is available at a socket on the rear of the instrument.

Triggering

Trigger mode Automatic triggering. In the absence of a trigger signal the time base generator starts free-running and a sharp line is displayed.
Triggering with continuously adjustable level on the positive or negative-going edges of the trigger signal.

Trigger level Continuously adjustable over 8 divisions for internal triggering and 10 Vp-p for external triggering.

Trigger source Internal, from one of the vertical amplifiers or external. The external trigger input is d.c. coupled.

Trigger input impedance 1 M Ω //10 pF

Trigger sensitivity The following table indicates the minimum values at which stable triggering is guaranteed.

Stability control The trigger stability control, which hardly ever requires readjustment, is located on the front panel and can be operated by means of a screwdriver.

Trigger source	Trigger mode	Reference values for sinewave signals			T.V. signals (T.V. frame)
		0 Hz...10 Hz	10 Hz...5 MHz (Normal)	5 MHz...15 MHz	
internal	auto		2 divisions	4 divisions	
	level		0.5 divisions	4 divisions	1 division
external	auto		2 Vp-p	2 Vp-p	
	level	1 Vp-p	1 Vp-p	1 Vp-p	1 Vp-p

Max. trigger input voltage 500 V (d.c. voltage + peak value of alternating voltage).
Protected against over-voltage

Horizontal amplifier

Frequency range 0 Hz...2 MHz (-3 dB) with control "X MAGN" in position "x1".

Deflection coefficient Continuously adjustable between 200 mV per division and 1 V per division.

Input impedance 50 k Ω //60 pF

Maximum input voltage 50 V continuously permissible. Protected against over-voltage.

Maximum deflection For sinewave signals with frequencies up to 500 kHz the horizontal deflection is undistorted, for a total amplitude of 50 divisions. Any 10 divisions can be displayed on the screen.

Power supply

Mains voltages 94...127 V (110 V nominal) or 187...253 V (220 V nominal) a.c.

Mains frequencies 50...400 Hz

Power consumption 80 W

A storage compartment for the mains cable has been provided.

For 110 V only PM 3231Q (USA-version)

Cathode-ray tube

Sort of tube	10 cm tube with acceleration voltage of 4 kV.
Type of tube	E10-130GP
Effective screen area	Up to 8 divisions in the vertical direction and up to 10 divisions in the horizontal direction for both beams. One division is 8 mm.
Max. angle between the horizontal axes in the screen centre	0.6°
Screen type	GP (P2), medium short persistence, bluish-green. Type GM (P7) is available (PM 3231G).
Brilliance and focusing	Controls have been provided for both beams on the front panel.
Beam control	The unblanking during the sweep is achieved by beam deflection and is D. C. coupled.
Beam modulation	External Z modulation is possible via the Wehnelt cylinder of each electron gun. An input to each gun is available at the rear panel of the instrument. The voltage required for brightness modulation is 15 Vp-p for frequencies between 10 Hz and 1 MHz. Input impedance 1 MΩ//50 pF.
Graticule illumination	Three fixed levels for simple camera settings.
Effect of mains voltage variations of ± 15 %	The deflection and time coefficients vary max. 2 %
Operating conditions	The tolerances stated apply at an ambient temperature between -10 °C and +45 °C

Dimensions and weight

Height	30 cm (11 3/4")
Length	45 cm (18")
Width	21 cm (8 1/4")
Weight	11 kg (24 lbs)

Note

Properties expressed in numerical values with tolerances stated are guaranteed by the factory. Numerical values without tolerances indicate the properties of an average instrument and merely serve as a guide. All data apply at nominal mains voltage, unless otherwise stated.

III. ACCESSORIES

See chapter XIV.

Accessories supplied with the instrument:

2 x adaptors PM 9051 (BNC to 4-mm banana-plug)

1 x manual

1 x plastic dust cover (ordering number, chapter XV item 43)

Optional accessories

Probe set with 1.15 m lead : PM 9326

Probe set with 2 m lead : PM 9327

Carrying case : PM 9303

Rack mount kit : PM 9363

Rubber viewing hood : PM 9370

Multi-purpose oscilloscope camera : PM 9380

Adaptor (oscilloscope to camera) : PM 9374

IV. DESCRIPTION OF THE BLOCK DIAGRAM (Fig. 2)

Vertical amplifiers

The oscilloscope has two identical vertical d.c. amplifiers, so that two signals can be displayed at the same time.

Each vertical amplifier consists of:

- a step attenuator, by means of which the amplitude of the signal on the screen can be controlled in calibrated steps;
- an input stage, by means of which a high input impedance is obtained;
- a pre-amplifier with drift feedback;
- a delay line, by means of which the leading edges of fast phenomena can be displayed;
- a driver stage for the delay line;
- an output stage.

Trigger amplifier

The trigger amplifier amplifies the trigger signal derived from the vertical amplifiers or from an external voltage source.

The polarity of the trigger signal and the trigger level are adjustable.

Trigger pulse shaper

The trigger pulse shaper supplies well defined trigger pulses for starting the time base generator. The trigger unit also comprises a synchronisation separator for T.V. signals, so that triggering by means of these signals is also possible.

Time base generator

The time base generator is of the Bootstrap integrator type.

The generator comprises the charging capacitors and resistors which are selected with switch TIME/div.

Continuous control of the time coefficient is effected with potentiometer TIME/div.

The stability of the time base generator can be controlled with screwdriver control STAB.

The sawtooth voltage is externally available at output socket TIME BASE.

X-amplifier

The X-amplifier serves for amplifying the internal sawtooth voltage or an external deflection voltage before this is applied to the horizontal deflection plates. This circuit also comprises the "X-POSITION" control and the "X-MAGN" control.

Cathode-ray tube

Controls INTENS and FOCUS serve for controlling the voltage on the various electrodes of the cathode-ray tube.

The high tensions for the cathode-ray tube are generated with the aid of a converter which also delivers the other supply voltages.

The Wehnelt cylinders are connected to sockets for external Z-modulation.

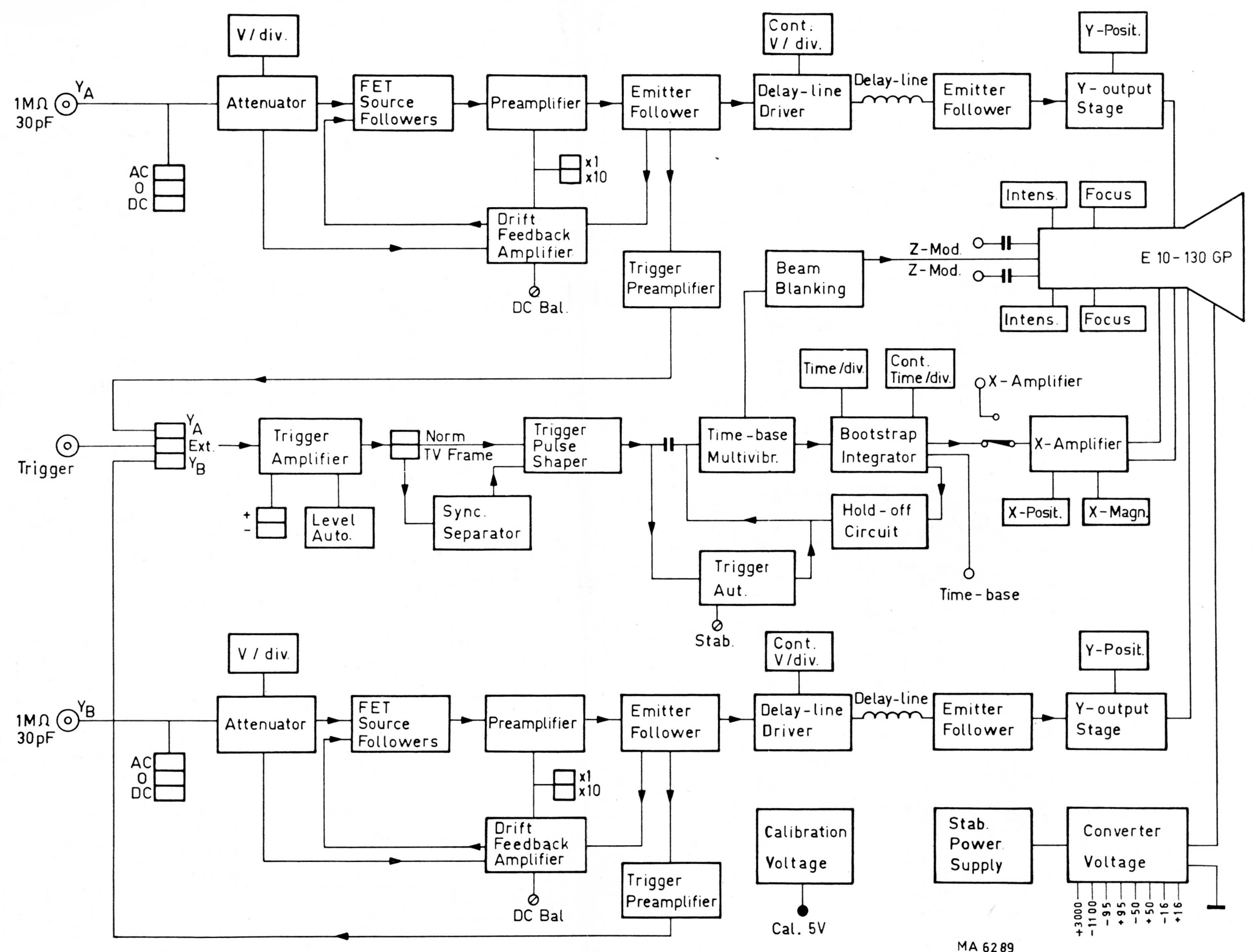


Fig. 2. Block diagram

MA 6289

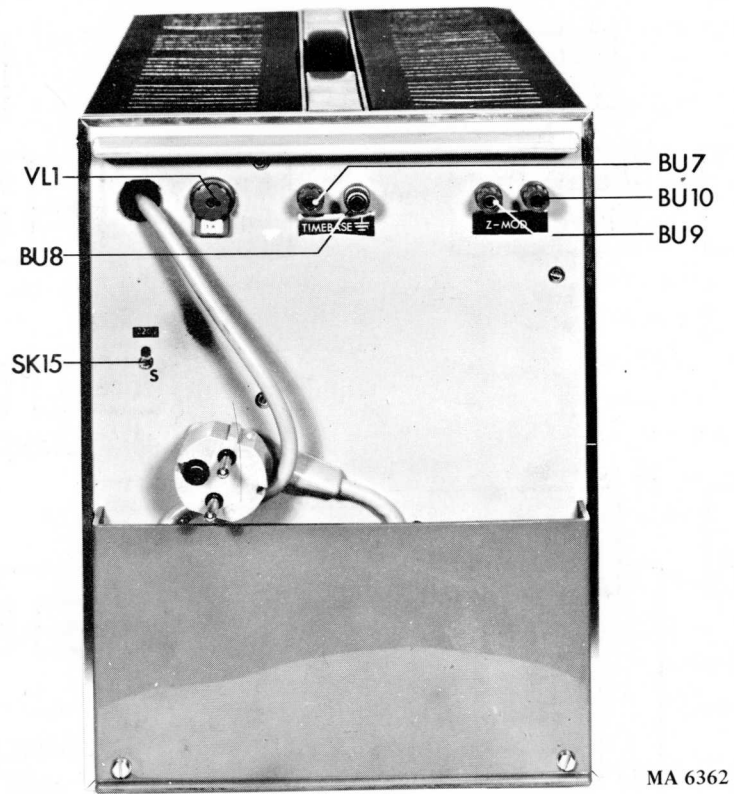


Fig. 3. Rear view

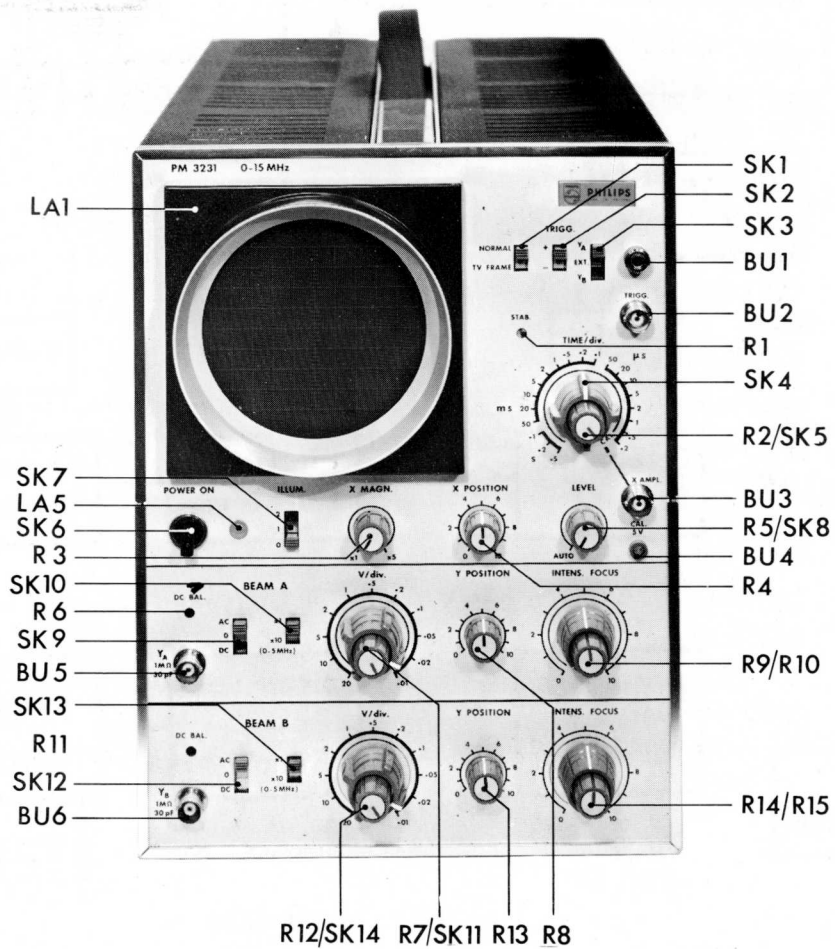


Fig. 4. Controls and sockets

Directions for use

V. INSTALLATION

The instrument should be installed so that natural air cooling is not impeded.

The instrument can be used in the horizontal position or can be tilted back by means of the tilting bracket.

A. ADJUSTMENT TO THE LOCAL MAINS VOLTAGE

On delivery, the instrument is adjusted to a mains voltage of 187 V...253 V (220 V nominal). When the mains voltage is 94 V...127 V (110 V nominal), the voltage adaptor at the rear of the instrument should be changed over. This is effected as follows:

- Slightly loosen screw "S" (Fig. 3).
- Push screw "S" upwards until the indication "110 V" is visible through the opening above the screw.
- Tighten screw "S" again.

B. FUSE (VL1, Fig. 3)

In the holder at the rear panel of the instrument a 1 A (delayed-action) fuse has been fitted. When the instrument is connected to a mains voltage of 94 V...127 V, a 2 A (delayed-action) fuse should be employed.

C. EARTHING

The instrument should be earthed in accordance with local safety regulations. This can be effected:

- via earthing terminal at the rear of the instrument;
- via the mains lead (the instrument has a 3-core mains cable).

Double earthing should be avoided as this will give rise to hum.

D. SWITCHING-ON

The instrument is switched on with switch POWER ON (SK6, Fig. 4).

Pilot lamp LA5 (Fig. 4) will then light up.

E. CHECKING THE CATHODE-RAY TUBE

- Make a time-base line visible on the screen.
- Check that this line is horizontal. If necessary, correct according to chapter XII-B.

VI. OPERATION

A. CONTROLS, SOCKETS AND THEIR FUNCTIONS (see Figs. 3, 4)

Note: The indications of the controls and sockets for channel B are given in brackets.

SK1	NORMAL/TV FRAME	Two-position selector: NORMAL: for normal triggering TV FRAME: for triggering on the frame pulses of TV signals.
SK2	TRIGG +/-	Selection between triggering on positive-going or negative-going edge of trigger signal.
SK3	Y_A -EXT- Y_B	Selection between trigger signal from channel A, an external signal or the signal from channel B.
BU2	TRIGG	Input for external trigger voltage.
BU1	\perp	Earth socket.
R1	STAB	Adjustment of trigger stability.
SK4	TIME/div	Step control of time coefficients.
R2/SK5	TIME/div - CAL	Continuous control of the time coefficients (in position CAL the time coefficients are calibrated).
BU3	X AMPL	Input of the X-amplifier. When switch TIME/div is turned fully clockwise, this input may be used for horizontal deflection by means of an external voltage.
SK6	POWER ON	Mains switch
LA5		Mains voltage indication lamp.
SK7	ILLUM	Step control of graticule illumination.
R3	X MAGN	Continuous horizontal expansion up to 5 times.
R4	X POSITION	Horizontal shift control.
R5/SK8	LEVEL - AUTO	Adjustment of trigger level (in position AUT a stationary trace is obtained automatically).
BU4	CAL 5 V	Rectangular calibration voltage with a frequency of approx 2.5 kHz.
R6 (R11)	DC BAL	Adjustment of d.c. valance of the Y-amplifier for channel A (B).
SK9 (SK12)	AC -0-DC	Selector for channel A (B): AC: Connection between input and Y-amplifier via an isolating capacitor. O : Connection between input and Y-amplifier interrupted. Amplifier input connected to earth. DC: Direct connection between input and Y-amplifier.
SK10 (SK13)	x1-x10	Selector for channel A (B): x1 : Y-deflection coefficients as indicated on text plate for beam A (B)! x10: Y-deflection coefficients 10 times smaller than indicated on text plate for beam A (B). The bandwidth is then limited to 5 MHz.

SK11 (SK14)	V/div	Step control of the Y-deflection coefficients of beam A (B).
R7 (R12)	V/Div. - CAL	Continuous control of Y-deflection coefficients of beam A (B). (In position CAL the deflection coefficients are calibrated.)
R8 (R13)	Y POSITION	Vertical shift control of beam A (B).
R9 (R14)	INTENS	Intensity control of beam A (B).
R10 (R15)	FOCUS	Focusing control of beam A (B).
BU5	Y_A -1 M Ω -30 pF	Input of Y amplifier for channel A.
BU6	Y_B -1 M Ω -30 pF	Input of Y amplifier for channel B.
BU7	TIME BASE	Output on which the internal sawtooth voltage is available.
BU8	\perp	Earth socket.
BU9	Z-MOD A	Input for brightness modulation of beam A.
BU10	Z-MOD B	Input for brightness modulation of beam B.
SK15	110 V-220 V	Mains voltage adapter
LA1-4		Graticule illumination (only one of the four lamps is indicated in the figure).

B. MAKING THE TRACES VISIBLE

1. Preliminary settings

a. Adjusting the time base stability control

- Set continuous controls INTENS, FOCUS, Y POSITION and X POSITION to the centre position.
- Set switches "AC-0-DC" to position "0".
- Set switches "x1-x10" to position "x1".
- Set switch "X-MAGN" to position "x1".
- Set switch "TIME/Div." to position "0.5 ms/div".
- Set control "LEVEL" to position "AUTO".

Both time base lines should now be visible in the centre of the screen.

If this is not the case, then:

- Set controls "INTENS" to position "x10".
- Turn control "LEVEL" out of position "AUTO".
- Turn control "STAB" until both time base lines appear on the screen.
- After this set control "STAB" so that just no time base lines are visible (not too critical).
- Set control "LEVEL" to position "AUTO". Both lines should now be visible.
- Set controls "INTENS" to the desired position.

b. Adjusting the D. C. balance

- Make both time base lines visible on the screen.
- Set control "Y POSITION" of channel A to the centre position.
- Set switch "AC-0-DC" of channel A to position "0".
- Set switch "x1-x10" of channel A to position "x10".
- Set switch "V/div" of channel A to position ".01 V/div" and turn the appropriate continuous control to and fro between the minimum and maximum position. Simultaneously adjust control R6 (Fig. 5) until turning the continuous control no longer causes the time base line to shift.
- Repeat this for channel B.

2. Input circuit

The signal to be displayed should be applied to socket "Y_A", "Y_B" or to both sockets.

When the signal contains a large d. c. component, switch "AC-0-DC" should be set to position "AC" to prevent that the signal falls outside the control range of control "Y POSITION".

In order to facilitate a rapid determination of the zero volt d. c. level, the input switch has been provided with a position "0". In this position the amplifier input is disconnected from the input socket and connected to earth.

C. INTERNAL TRIGGERING (automatic)

- Apply the signal to be displayed as described in B. 2.
- Set switch "Y_A-EXT-Y_B" to position "Y_A".
- Set switch "TRIGG + -" to the desired polarity.
- Set control "LEVEL" to position "AUTO".
- Adjust the trace height with switch "V/div" and the appertaining continuous control of channel A. (The deflection coefficient is only calibrated when the continuous control is in position "CAL".)
- Adjust the sweep time with the aid of switch "TIME/Div" and the appertaining continuous control. (The sweep time is only calibrated when the continuous control is in position "CAL".)
- If desired, the trace can be expanded in the horizontal direction with control "X MAGN".

Note: The same applies to channel B.

D. EXTERNAL TRIGGERING

- Apply an external trigger voltage to socket "TRIGG" and set switch "Y_A-EXT-Y_B" to position "EXT".
- Further proceed as for internal triggering.

E. TRIGGERING WITH VARIABLE TRIGGER LEVEL

- Set all controls as described for B and C.
- Set control "LEVEL" so that the time base starts at the described level of the input signal.

F. TRIGGERING ON VIDEO SIGNALS

- Set switch "NORMAL-TV FRAME" to position "TV FRAME".
- Turn control "LEVEL" out of position "AUTO".
- Further proceed as for internal triggering.
- Set switch "TRIGG + -" position "-" for a positive video signal and to position "+" for a negative video signal.

G. HORIZONTAL DEFLECTION WITH AN EXTERNAL VOLTAGE

- Set switch "TIME/div" to the extreme right position.
- Apply an external voltage to socket "X AMPL". The time base generator is now automatically switched off and blocked.
- The horizontal amplitude can be varied with knob "X MAGN".

H. BRIGHTNESS MODULATION

The voltages required for brightness modulation should be applied to sockets "Z-MOD" at the rear of the instrument.

VII. APPLICATIONS

The PM 3231 can be used for carrying out qualitative and quantitative analyses of signals as a function of time or as a function of another signal.

With the aid of some technical concepts and measuring principles, in this chapter an insight will be given into the possibilities of this instrument.

Y-DEFLECTION

Switch "AC-0-DC"

In position "DC" the input is coupled direct to the Y amplifier. Because no coupling capacitors are used, the complete bandwidth of the instrument is available. This means that input signals can be applied to the deflection plates without distortion. However, direct voltages at the input will be displayed on the screen as trace shifts. This may give rise to difficulties when signals are to be displayed which are superimposed on large direct voltages. For displaying the a.c. signal a high degree of attenuation would be necessary, so that the a.c. signal would also be attenuated. To prevent this, position "AC" has been provided.

In this position a blocking capacitor is connected between the input and the Y amplifier, so that only the a.c. component is applied to the amplifier.

However, as a result of this not only the direct voltages but also the lower frequencies (up to approx. 10 Hz) of the a.c. signal will be suppressed or attenuated. When displaying rectangular voltages of low frequency this will give rise to some degree of droop.

In position "0" of switch "AC-0-DC" the connection between the input and the Y amplifier is interrupted and the amplifier input is connected to earth. In this position the d.c. balance of the amplifier can be adjusted. Adjustment of the d.c. balance is effected as described in point VI. B.1.b.

Measuring probes

For the proper evaluation of the measuring result, it is necessary to take into account the influence of the input impedance of the oscilloscope on the circuit under test.

This impedance, which forms a load for the signal source, may in some cases affect the voltage to be measured.

At higher frequencies the input impedance is generally determined by the input capacitance. Moreover, in the case of measurements to tuned circuits, it should be taken into account that the input capacitance may cause de-tuning.

The load capacitance can be strongly reduced by using a 1 : 10 attenuator probe. Both the ohmic and the capacitive load are then reduced by approx. a factor 10.

The use of an attenuator probe has the additional advantage that the lowest frequency in the case of a.c. coupling is decreased by approximately a factor 10.

Besides, the deflection coefficients of the Y amplifier become 10 times as high, so that it is possible to display a signal with a very high amplitude. The maximum permissible voltage on the measuring probe (1000 V_{p-p}; maximum d.c. component 500 V) should, however, not be exceeded.

Voltage measurements

The measuring accuracy of $\pm 3\%$ applies to the flat part of the frequency response curve. To guarantee proper squarewave response, the frequency response curve of a good quality oscilloscope amplifier should start declining at approximately 1/3 of the bandwidth. This should be taken into account when determining the accuracy of the measurement.

Triggering

When a periodical signal is to be displayed, it is necessary that the X deflection always starts at a definite point of the waveform. This is in order to obtain a stationary picture.

For this, the time base is started by the trigger unit, which is controlled by a signal derived from a Y input signal or from an external source.

Automatic triggering

Automatic triggering is only possible in position NORMAL of switch NORMAL/TV FRAME. The automatic triggering mode is used in most cases because of the simple operation.

With this method triggering takes place at the average value of the trigger signal preset in the instrument.

By means of switch TRIGG +/- the trigger moment can be selected on the positive-going or negative-going edge of the trigger signal. When the trigger signal is too small or if there is no signal, the time base generator automatically changes over to the free-running condition, so that always a time base line is displayed.

Trigger level

In the case of complex signals containing a number of different voltage waveforms, the time base should always start at the same waveform in order to obtain a stationary trace. This is possible if one of the waveforms has a deviating amplitude. With control "LEVEL" the trigger level can then be adjusted so that only the larger waveform can pass this level. For displaying a leading edge it is also advisable to use the LEVEL control.

The trigger level can then be adjusted so that the time base is already started at the beginning of this leading edge.

External triggering

External triggering is applied e.g. for signals having a strongly varying amplitude, if a signal having a fixed amplitude and equal frequency is available.

This prevents the necessity to readjust the level control at each variation of the input signal.

Triggering on TV signals

To simplify triggering on TV signals, a synchronisation separator is switched on in position "TV FRAME" of switch "NORMAL/TV FRAME". This separator sorts the frame synchronising pulses out of the TV signal, after which they are used for starting the time base generator. As is known, the synchronising signals have a polarity, which is opposed to that of the video signal. If triggering on a positive video signal is required, switch "TRIGG +/-" should be in position "-" and for a negative video signal in position "+".

Delay line

The input signal can also be used for triggering the time base generator. For this, the signal is applied to the trigger unit, which converts it into trigger pulses. However, the trigger unit requires some time for starting the X-deflection. During this time the first part of the input signal, which has already arrived at the deflection plates, may already have passed completely or partially. This implies that a steep leading edge will not be visible on the screen.

To prevent this, each Y amplifier has been equipped with a delay line. The trigger signal is taken off between the input and the delay line. As the delay time of the line is longer than the time required for the trigger unit to start the X deflection, the time base will start before the leading edge of the input signal has reached the deflection plates. As a result the leading edge will also be displayed. During triggering it is recommended to use the level control, as the time base can then be started at any desired point of the leading edge. In this way the advantages of the delay line can be used completely.

Hints for measuring rise times

- The rise time is defined as the time required by the positive-going edge of a signal to rise from 10 % of the peak value to 90 % of the peak value.
- When the rise time of the oscilloscope lies in the same order of magnitude as that of the object under test, the actual rise time should be calculated in accordance with the following equation.

$$T_w = T_m^2 - T_o^2$$

in which: T_w = actual rise time

T_m = measured rise time

T_o = rise time of the oscilloscope (23 and 70 ns respectively)

External X-deflection

When switch TIME/Div is in the fully clockwise position, the time base generator is switched off and X-deflection can take place by applying an external signal to socket "X AMPL".

Due to the presence of the delay lines the instrument can only be used to a limited extent as a X-Y oscilloscope due to the occurring phase shifts.

Brightness modulation

To display additional information in the oscillogram, brightness modulation is possible by means of an external voltage. This can be achieved by applying the external signal to sockets "Z MOD" at the rear of the instrument.

In this way it is possible to carry out very accurate time measurements in the oscillogram, when the brightness is modulated by means of time markers. The measurements can then be effected directly with the aid of the markers in the trace.

Service data

VIII. CIRCUIT DESCRIPTION

A: VERTICAL AMPLIFIERS (see Figs. 30 and 31)

The oscilloscope has two identical vertical amplifiers. For clarity only the amplifiers for channel A is described.

The corresponding elements for the other channel are given in brackets. The vertical amplifiers consist of the following sections:

1. Input attenuator (see Figs. 27 and 28)

The deflection coefficient of the amplifier can be increased by including a high-ohmic attenuator in the input circuit. This attenuator consists of 5 sections which provide an attenuation of:

10x	R26-R27 (R226-R227)
100x	R28-R29 (R228-R229)
1000x	R31-R32 (R202-R201)
2x	R33-R34 (R233-R234)
5x	R36-R37 (R236-R237)

With switch V/div of channel A (B) the attenuator sections can be combined so that 11 deflection coefficients can be selected.

With trimmers C26, 31, 36, 42, 43, 46 and 48 (C226, 231, 236, 242, 243, 246 and 248) frequency compensation of the sections is achieved. Trimmers C28, 33 and 38 (C228, 233 and 238) are adjusted so that the input capacitance is the same in all attenuator positions.

With switch AC-0-DC of channel A (B) input socket YA (YB) can be connected to the attenuator either direct or via an isolating capacitor. In position 0 of this switch the input of the Y amplifier is connected to earth and the connection with input socket YA (YB) is interrupted. In this position the zero level of the amplifier can be checked.

2. Pre-amplifier

The high input impedance of the pre-amplifier is obtained by means of field effect transistors TS51' - TS51'' (TS251'-TS251''), which are connected as source followers.

The pre-amplifier has been made drift-free by using the control circuit described in point 3.

The direct voltage on the gate of TS51'' (TS251''), which is adjustable with R6 (R11) DC BAL, serves to equalise the emitter voltage of TS73 (TS273) to the input voltage of the amplifier, when no input signal is present.

In that case there will be no direct voltage across continuous gain control R7 (R12), thus preventing the time base line from moving across the screen when R7 (R12) is turned.

The field effect transistor TS51' (TS251') is protected against excessively high negative input voltages by diodes GR51-GR52 (GR251-GR252), which become conductive at input voltages larger than -1.4 V.

The capacitance of these diodes is eliminated by feeding back the signal from the emitter of TS52 (TS252) to the anode of GR51 (GR251), so that there will flow no signal current through this diode.

TS51' (TS251') is protected against excessively high positive input voltages by means of resistor R39 (R239), which limits the gate current. The field effect transistors are followed by emitter followers in order to match the output impedance of the input stage to the input impedance of the pre-amplifier stage.

The pre-amplifier stage is formed by a push-pull amplifier with current and voltage feedback, which includes transistors TS53, TS54, TS71 and TS72 (TS253, TS254, TS271 and TS272). The current feedback obtained by means of the resistors in the emitter circuit of TS53 and TS71 (TS253 and TS271) ensures a high input impedance.

The voltage feedback via resistors R61 and R132 (R261 and R332) ensures that the circuit has a low output impedance.

The circuit has a large bandwidth as the capacitive interaction from the output to the input is practically eliminated.

The gain is very constant, as it is mainly determined by passive elements, viz. feedback resistors R61 and R132 (R261 and R332) and the resistors between TS53 and TS71 (TS253 and TS271).

In position x1 of switch SK10 (SK13) the gain is adjusted with potentiometer R101 (R301) and in position x10 with R104 (R304).

TS66 (TS266) ensures that there is a constant current in the amplifier circuit. The output voltage of the pre-amplifier is taken off asymmetrically and applied to the control stage for the delay cable and the control circuit via emitter follower TS73 (TS273). The trigger signal is taken from the same emitter follower and applied to the trigger pulse shaper via amplifier stage TS75 (TS275).

3. Drift feedback (see Fig. 5)

The pre-amplifier described in point 2 is a difference amplifier. The input signal U_i is applied to input I (TS51', TS251') and the control voltage U_r is applied to input II.

All drift voltages are referred to input I, and it is assumed that they originate from a voltage source U_d .

Assume that the amplifier has a gain of $-A$ times. The output voltage U_o is reduced by a factor A in the $1/A$ voltage divider. In the circuit diagram this voltage divider consists of resistors R138-R139 (R338-R339) together with resistor R136 (R336) in parallel with R138 (R338) in position x10 of switch SK10 (SK13).

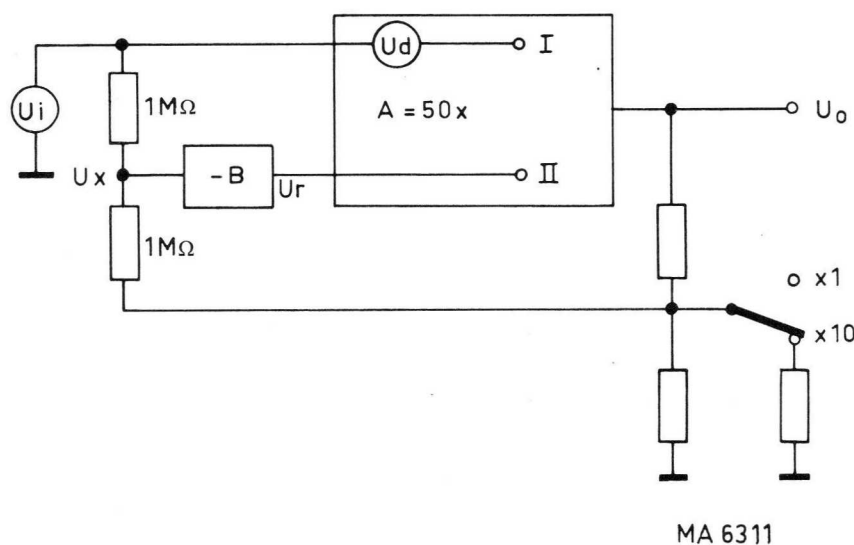


Fig. 5. Simplified diagram of the control circuit

The output signal of this voltage divider is applied to one side of the $\frac{1}{2}$ voltage divider R41-R107 (R241-R307) and voltage U_i to the other side.

The input voltage U_x of control amplifier TS67'-TS67'' (TS267'-TS267'') will consequently be $\frac{1}{2}(U_i + U_o/A)$. After amplification the control voltage $U_r = -\frac{1}{2} B (U_i + U_o/A)$.

The voltage applied to input I of the difference amplifier will, therefore, be: $U_i + U_d$, whereas $-\frac{1}{2} B (U_i + U_o/A)$ will be applied to input II.

The difference is: $(U_i + U_d) - (-\frac{1}{2} B) \cdot (U_i + U_o/A)$

This difference is amplified $-A$ times, so that:

$$U_o = -A \left\{ (U_i + U_d) - (-\frac{1}{2} B)(U_i + U_o/A) \right\}$$

or:

$$U_o = -A \left(U_i + \frac{U_d}{1 + \frac{1}{2} B} \right)$$

As the amplification of the control voltages is 60 times, the effect of the drift is reduced approx. 30 times which is amply sufficient for locking the zero line.

4. Control stage for the delay line

This stage consists of an assymmetrically driven amplifier TS58'-TS58'' (TS258'-TS258''). The base of transistor TS58' (TS258') is connected to earth because the base of TS58'' (TS258'') is kept at 0 V by the control circuit in the absence of a signal.

The amplification of this stage and, consequently, the vertical deflection coefficient can be continuously adjusted with potentiometer R7 (R12).

The input of the delay line is terminated by resistors R73 (R273) and R153 (R353) and its output by R76 (R276).

Via emitter followers TS59-TS76 (TS259-TS276) the signal is applied to the output stage.

5. Output stage

The output stage is driven symmetrically. The gain can be adjusted with potentiometer R82 (R282) in the emitter circuit of TS60-RS77 (TS260-TS277). The RC networks in this emitter circuit serve for correction of the squarewave response.

By means of potentiometer R8 Y POSITION (R13) the d.c. level at the input of the output transistors can be varied, so that the trace can be shifted across the screen in the vertical direction.

B. TRIGGER PULSE SHAPER (Fig. 34)

This shaper consists of the following sections:

- an amplifier stage TS502-TS503, whose input is a field effect transistor TS501 in source follower arrangement;
- a Schmitt trigger TS506-TS507;
- a synchronisation separator TS504.

The trigger signal can be obtained, at option, via a coupling capacitor from the Y amplifiers or direct from an external source.

1. Amplifier stage

In order to obtain a high input impedance for the trigger pulse shaper, an input source-follower has been used. This ensures that the trigger signal source is neither loaded or influenced.

The input is protected against excessively high negative input voltages by diode GR501, whereas gate current limitation occurs at excessively high positive voltages.

The amplifier stage is an emitter-coupled push-pull amplifier. The trigger signal is applied to the base of TS502. As a result, voltages of equal amplitude and opposite phase are obtained at the collectors of TS502 and TS503. By selecting one of these voltages with switch SK2 (+/-) it is possible to trigger on the positive-going or the negative-going edge of the signal.

With potentiometer R5 (LEVEL) continuous adjustment of the direct voltage on the base of TS503 is possible in the closed position of SK8 (non-automatic).

Dependent on this setting, each time a different part of the trigger signal is amplified, (as the amplifier is overdriven). The trigger level is consequently determined by the position of R5.

2. Schmitt trigger

The amplified trigger signal changes over Schmitt trigger TS506-TS507. In the case of a repetitive trigger signal a squarewave voltage with constant amplitude will arise at the collector of TS507. This voltage is differentiated into small positive and negative pulses by C608 and R756. The positive pulses are short-circuited by diode GR603. The negative pulses are applied to the time base generator.

3. Synchronisation separator

In position TV FRAME of switch SK1, synchronisation separator TS504 is switched on. This facility permits of triggering on the frame synchronisation pulses of a TV signal.

The video signal is applied to synchronisation separator TS504, which has such a setting that peak detection takes place by the base emitter diode, so that only the peaks of the synchronising pulses lie within the operating range. By means of integrator R526-C504 the line and frame synchronisation pulses are separated.

The integrated frame synchronisation pulses then trigger Schmitt trigger TS506-TS507.

C. TIME BASE GENERATOR (Fig. 34)

The time base generator consists of a bootstrap integrator, which is driven by Schmitt trigger TS612-TS611; see simplified diagram in Fig. 6.

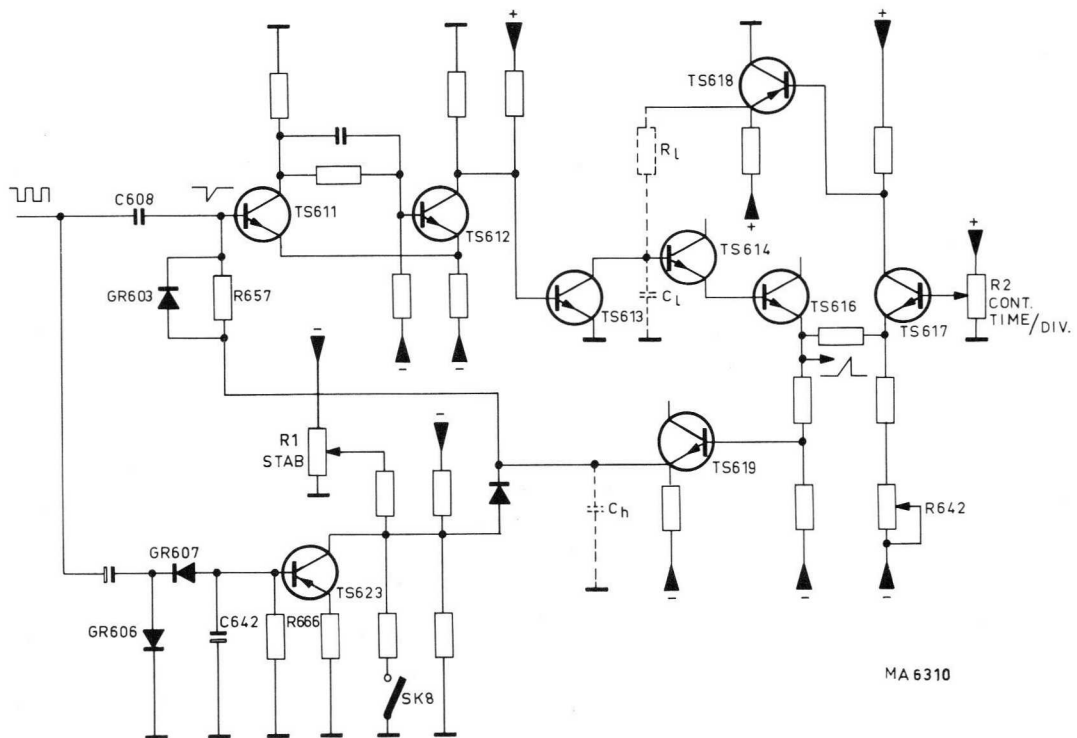


Fig. 6. Simplified diagram of the time base generator

For the description of the working it is assumed that the Schmitt trigger is in the following state:

- TS611 non-conducting
- TS612 conducting

Switching transistor TS613 is now cut off. The time base capacitor C_L is now charged with a constant current determined by R_L , so that a linearly increasing voltage arises across this capacitor. The constant charging current is obtained by feedback in the bootstrap integrator, so that the voltage across the charging resistor is maintained constant. This feedback takes place via transistors TS617 and TS618.

R2 as well as R642 enable adjustment of the direct current through TS617, so that it is possible to vary the constant voltage across R_L and, consequently, the time coefficient. R2 is the continuous control, R642 serves for internal calibration.

The linearly increasing voltage across C_L is fed back to Schmitt trigger TS611-TS612 via TS614, TS616 and TS619, so that TS611 will be turned on and TS612 will be turned off.

Switching transistor TS613 is now turned on and the time base capacitor then discharges via this transistor. The voltage at the input of the Schmitt trigger will, consequently, decrease to a certain value. When the next trigger pulse appears, the Schmitt trigger will change over again and the time base capacitor is charged again.

The stability of the time base generator can be adjusted with potentiometer R1 (STAB). This determines the value of the direct voltage on the base of TS611. This direct voltage is selected so that the pulse occurring at the end of the flyback on the base of TS611, cannot change over the Schmitt trigger.

The feedback circuit also comprises the hold-off capacitors, which ensure that the time base capacitors can fully discharge after the forward scan. At the following pulse the sawtooth voltage always starts at the same level. By means of switch SK4, 20 different time coefficients can be selected by switching in various capacitors and charging resistors. With R2 continuous control of the charging voltage and, consequently, of the time coefficient is possible. The time coefficient is calibrated when R2 is turned fully clockwise.

The sawtooth voltage is taken from the emitter of TS617 and applied to the horizontal amplifier (via SK4-I-F) and to output terminal BU7 (TIME BASE).

Automatic trigger circuit

In position AUTO of potentiometer LEVEL (SK8 open) the voltage on the base of TS611, in the absence of a trigger signal, is determined by the position of potentiometer R1, as TS623 receives no negative base voltage.

This voltage level causes the time base generator to free run. If there is a trigger signal, the base of TS623 will become negative due to the working of GR606, GR607, C642 and R666. As a result of this TS623 is turned on, so that the base of TS611 will become less negative. On account of this the time base generator is no longer free running and it will only change over due to the trigger pulses applied via C608.

D. BEAM DEFLECTION (Fig. 34)

To ensure that the electron beam is not visible during the flyback, such a voltage is applied to the third grid of the cathode-ray tube (points 7 and 9) that blanking occurs.

The voltage required for this is supplied by Schmitt trigger TS611. TS612 of the time base generator and applied to the cathode-ray tube via circuit TS603-TS604-TS606.

The flyback is suppressed at the moment that TS611 is cut off. The collector of this transistor then has a negative voltage, which is applied to the base of emitter follower TS603. As a result, transistor TS604 is turned off and its collector voltage will rise.

This rise is passed on to the third grid of the cathode-ray tube (deflection plates) via emitter follower TS606.

Due to this there will be a voltage difference of approx. 45 V between g2 and the deflection plates, so that the electron beam is intercepted. To improve the slope, diode GR600 and emitter follower

TS606 have been provided.

During the change-over of Schmitt trigger TS611-TS612 the output voltage of TS606 will become approx. 0 V, so that the trace is displayed again.

E. HORIZONTAL AMPLIFIER (Fig. 34)

The horizontal amplifier is an asymmetrically driven push-pull amplifier with current and voltage feedback (TS702, TS703, TS704, TS708, TS709, TS711). The asymmetrical drive is obtained via emitter follower TS701.

The negative feedback and, consequently, the deflection sensitivity of the output stage can be adjusted with potentiometer R718. With potentiometer R3 (X MAGN) the sensitivity can be varied by a factor 5. Horizontal shift takes place by varying the d.c. level on the base of emitter follower TS706 with potentiometer R4 (X POSITION).

In position X AMPL of switch SK4 the connection between the time base generator and the horizontal amplifier is interrupted. Now it is possible to apply an external signal to the horizontal amplifier via socket BU3. In order to prevent crosstalk of the time base voltage on the horizontal amplifier, the time base generator is connected to earth in this position of SK4. Moreover, the hold-off circuit is connected to the -16 V via R655, so that time base multivibrator TS611-TS612 is always in position TS611 conducting/TS612 non-conducting, thus ensuring unblanking.

F. CATHODE-RAY TUBE CIRCUIT (Fig. 37)

Individual brightness control of the two systems is possible with potentiometers R9 and R14. The control range is determined by the setting of potentiometers R403, R402, R414 and R416. The brightness voltage is stabilised by neon stabiliser B401.

Focusing takes place with potentiometers R10 and R15, whereas R407 and R419 permit of correction of the astigmatism of the electrostatic lens.

Barrel and pin-cushion distortion can be corrected with R408 and the relative shift of the traces in the horizontal direction due to the differences in the deflection systems can be eliminated with R409. Brightness modulation is possible via sockets BU9 and BU10.

G. CALIBRATION VOLTAGE GENERATOR

The calibration voltage generator consists of a free-running multivibrator TS901-TS902 whose output voltage is kept constant by zener diode GR901.

H. SUPPLY CIRCUIT

The alternating voltage across winding S3 of supply transformer T801 is full-wave rectified and, subsequently, electronically stabilised. This is effected by comparing a voltage which is proportional to the output voltage, with a reference voltage (GR803) via a difference amplifier (TS804-TS806). The difference, if any, is amplified (TS803) and applied to the series regulators (TS801-TS802), which compensate for the difference.

The stabilised voltage is applied to a converter circuit, which delivers all the supply voltages in the instrument.

These voltages can be adjusted by means of potentiometer R808. The ripple voltage can be reduced to a minimum by means of potentiometer R803.

IX. GAINING ACCESS TO THE COMPONENTS

Caution!

In this instrument very high voltages are generated so that due care should be taken when carrying out work on the interior of the instrument.

A. REMOVING THE SIDE PANELS

On both sides of the instrument a panel has been fitted which is secured by means of two quick-fasteners. Loosen these fasteners and remove the panels from the frame.

B. REMOVING THE KNOBS (Fig. 7)

Single knobs

- Remove cap A.
- Loosen screw B.
- Pull the knob off the spindle.

Double knobs

- Remove cap A.
- Remove screw B.
- Remove the inner knob.
- Loosen nut C.
- Pull the outer knob off the spindle.

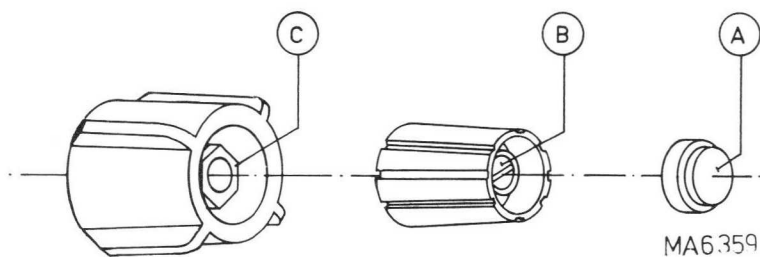


Fig. 7. Removing the knobs

C. REMOVING THE PROTECTIVE CAP AND THE GRATICULE (Fig. 8)

- Hold the protective cap as indicated in Fig. 8 and pull the lower section upwards.
- The protective cap, the graticule and the contrast enhancing filter can now be removed.



MA 6363

Fig. 8. Removing the protective cap and the measuring graticule

D. GAINING ACCESS TO THE DELAY LINE (Fig. 24)

- Place the instrument on one side.
- Slide the small bottom plate out of the instrument.
- Unsolder the 8 connections of the delay line.
- Loosen the two fixing screws BS (see Fig. 9).
- The delay line can now be slide out of the instrument.

X. ADJUSTING ELEMENTS AND THEIR FUNCTIONS (see Figs. 9 and 10)

The order given below is arbitrary. For the complete adjusting procedure please refer to chapter XI.

Adjustment	Adjusting element	Figure	Chapter XI point
<u>Vertical amplifiers</u>			
D. c. balance	R113 (R313)	9-29	D-1
	R114 (R314)	9-29	
	R116 (R316)	9-29	
Sensitivity	R82 (R282)	9-29	D-2
	R101 (R301)	9-29	
	R104 (R304)	9-29	
Squarewave response of attenuators	C26 (C226)	9-11	D-4
	C28 (C228)	9-11	
	C31 (C231)	9-11	
	C33 (C233)	9-11	
	C36 (C236)	9-11	
	C38 (C238)	9-11	
	C42 (C242)	9-11	
	C43 (C243)	9-11	
	C46 (C246)	9-11	
C48 (C248)	9-11		
Squarewave response of amplifiers	C50 (C250)	9-29	D-4
	C54 (C254)	9-29	
	C55 (C255)	9-29	
	C56 (C256)	9-29	
	C59 (C259)	9-29	
	C60 (C260)	9-29	
	R160 (R360)	9-29	
	R162 (R362)	9-29	
	R163 (R363)	9-29	

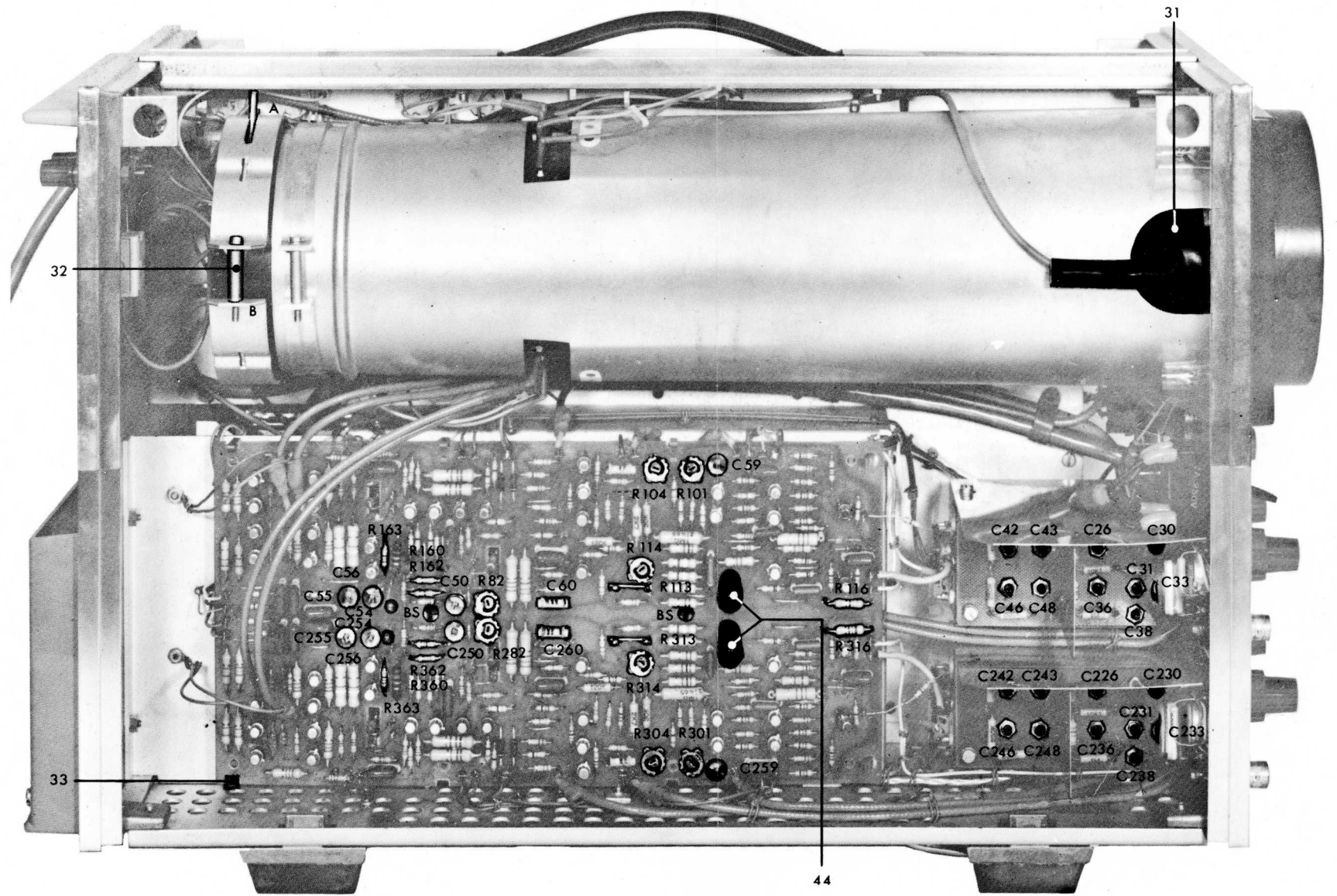
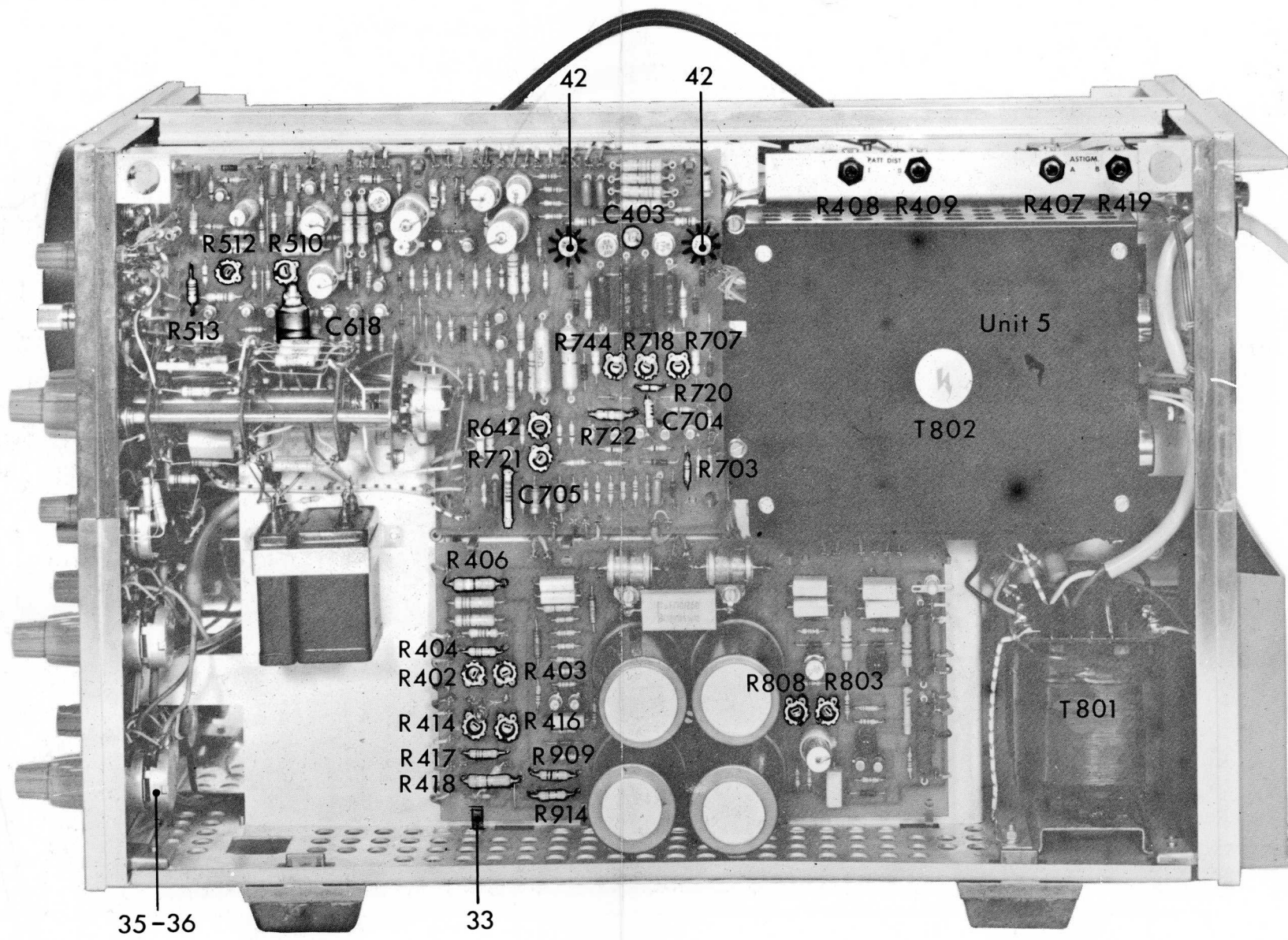


Fig. 9. Left-hand side view with adjusting elements



MA 6365

Fig. 10. Right-hand side view with adjusting elements

Adjustment	Adjusting element	Figure	Chapter XI point
<u>Calibration voltage</u>			
	R909, R914	10	
<u>Horizontal amplifier</u>			
Sensitivity	R703, R718	10-33	E-2
	R712, R722	10-33	
Squarewave response	C704, R720	10-33	E-3
	C705	10-33	
<u>Trigger pulse shaper</u>			
Trigger level	R510, R512	10-33	F-2
	R513	10-33	
<u>Time base generator</u>			
Time coefficients	R642, C618	10-33	F-3
<u>Power supply</u>			
-20 A Amplitude	R808	10-36	B
Ripple	R803	10-36	B
<u>Cathode-ray tube</u>			
Intensity	R402 (R414)	10-36	C-2
	R403 (R416)	10-36	
	R404 (R417)	10-36	
Focus and astigmatism	R406 (R418)	10-36	C-1
	R407 (R419)	10	
Barrel and pin-cushion distortion	R408, R409	10	C-1
	R707, R744	10-33	
	C403	10-33	

XI. CHECKING AND ADJUSTING

A. GENERAL

The tolerances specified below are factory tolerances which only apply to a completely readjusted instrument. Therefore, they may deviate from the data mentioned in chapter II.

All adjusting elements, their functions and their location are stated in the table in chapter X.

The adjustment should be effected at a temperature between 20 °C and 25 °C.

B. POWER SUPPLY

Check that the mains voltage adapter is adjusted to 220 V and connect the instrument to a 220 V supply (50 Hz).

The current consumed from the mains should not exceed 500 mA (to be measured with moving iron meter).

-20 A

- Check that the voltage at junction R805-R807 is -20 V. If not, adjust to -20 V with potentiometer R808.

Caution: After changing the setting of R808 the voltages +95D, -16J and +16J must all be checked.

- Adjust potentiometer R803 minimum ripple voltage on the -20 V direct voltage.
- Vary the alternating voltage to which the instrument is connected between 187 V and 235 V (220 V \pm 15 %) and check that the -20 V direct voltage does not vary by more than 200 mV.

The ripple voltage should not exceed 100 mVp-p.

+95 D

- Measure the voltage on junction R843-R844.

This should be +95 V, \pm or -10 %.

-16 J

- Measure the voltage at junction R851-R856. It should be between -16.3 V and -18.3 V.
- Vary the voltage to which the instrument is connected between 187 V and 235 V (220 V \pm 15 %).

The -16J direct voltage should not vary.

Hum voltage plus converter-interference voltage should not exceed 20 mVp-p.

+16 J

- Measure the voltage on junction R858-R860.

This voltage should lie between +16.3 and 18.3 V.

- Vary the voltage to which the instrument is connected between 187 and 253 V by means of a variable transformer.

The +16 J direct voltage should not vary.

The hum voltage plus converter interference voltage should not exceed 20 mVp-p.

C. CATHODE-RAY TUBE CIRCUIT

1. Picture Distortion

- Set NORMAL/TV FRAME to NORMAL.
- Set YA-EXT-YB to YA.
- Set TIME/div. to 0.5 msec./div.
- Set X MAGN to x1.
- Set X POSITION to central position.
- Set LEVEL to AUTO.
- Set AC-0-DC A (B) to DC.

- Set x1-x10 A (B) to x1.
- Display a time-base line for channel A.
- Check that a sharply defined time-base line is traced under normal brightness conditions.
- If necessary, make it sharper with FOCUS A and R407 (astigmatism).
- Check that the time-base line runs horizontally. If necessary, the cathode ray tube can be moved to the correct position with the aid of lever A (Fig. 9), after unscrewing locking screw B.
- Set V/div. A to 0.01 V/div.
- Turn INTENS B (R14) fully clockwise.
- Apply to sockets YA and YB a sine-wave voltage of 200 mVp-p with a frequency of 2 kHz (in phase).
- Adjust LEVEL control for a triggered display.
- Check that sharply defined lines are displayed under normal brightness conditions.
If necessary, make them sharper with FOCUS A and R407 (astigmatism).
- Reduce the picture distortion to a minimum with potentiometers R408 and R409.
- Set V/div. A and B to 0.05 V/div.
- Display channel B by turning INTENS B to the right. If necessary, focus pictures A and B with FOCUS A and B and R407 and R419 (astigmatism).
- Adjust the trace height for both channels to 4 divisions.
- Choose a time coefficient such that 6 cycles are visible.
- Make the pictures coincide as far as possible with the POSITION-controls and the continuous attenuators.
- Check that the four central cycles of both pictures coincide. Both pictures must coincide on the X-axis; there may be a slight deviation in the peaks. If necessary, this can be corrected with the aid of potentiometers R707 and R744.
- Set TIME/div. at $.2 \mu\text{sec}/\text{div}$.
- Set X-MAGN at x5.
- Increase the frequency of the input signal to 5 MHz.
- Check that the pictures coincide. If necessary adjust C403.
If the pictures do not coincide in the middle of the screen, potentiometer R409 must also be used to adjust them. In this case the settings of R408, R407 and R744 must be checked successively.

2. Intensity

Beam A

- Set LEVEL to position AUTO.
- Set TIME/div to the extreme right position (position X-AMPL.).
- Turn INTENS of channel B fully anti-clockwise.
- Connect socket CAL to input socket YA.
- Adjust for symmetry of the picture with respect to the screen centre by means of the POSITION-controls.
- Adjust for a sharply defined picture with FOCUS of channel A.
- If necessary, repeat the focus adjustment of point C1 and, if required, select a smaller value for R404.
- Turn INTENS of channel A anti-clockwise till the picture just disappears.
- Now measure the dark current by including a μA meter in the postacceleration lead.
- Turn INTENS of channel A fully clockwise and adjust R403 so that the current variation indicated by the μA meter is $12 \mu\text{A}$.
- Set INTENS of channel A to scale gradation 4.
- Adjust R402 so that the picture just disappears. If necessary, select a smaller value for R404.
- Repeat both adjustments.

Beam B

As under beam A; however, read INTENS of channel B for INTENS of channel A, INTENS of channel A for INTENS of channel B, R416 for R403 and R414 for R402 and R417 for R404.

D. VERTICAL AMPLIFIERS

Both amplifiers are identical, so that the adjusting procedure is the same for both amplifiers. The controls and sockets pertaining to channel B are indicated in brackets after those for channel A.

1. D. C. balance

- Set AC-0-DC of channel A (B) to position 0.
- Set x1-x10 of channel A (B) to position x10.
- Set V/div of channel A (B) to position 10 mV/div.
- Set LEVEL to position AUTO.
- Set Y POSITION of channel A (B) to the centre position.
- Adjust DC BAL of channel A (B) so that the picture line is not shifted when potentiometer V/div is turned.
- Set AC-0-DC of channel A (B) to position AC.
- Adjust R114 (R314) so that the time base line does not jump when AC-0-DC of channel A (B) is switched from position AC to position 0.
- Set x1-x10 of channel A (B) to position x1. The picture line should not move more than 1 division.
- Apply a squarewave voltage with a frequency of 10 Hz and a trace height of 8 divisions to YA (YB).
- Set AC-0-DC of channel A (B) to position DC.
- Adjust for a stationary trace with LEVEL.
- Check whether the top of the squarewave voltage is straight. If necessary, correct with potentiometer R101 (R301).
- Set x1-x10 of channel A (B) to position x10.
- Set V/div of channel A (B) to position 100 mV/div.
- Check whether the top of the squarewave voltage displayed is straight. If necessary, correct with R104 (R304).

2. Deflection coefficient

- Set AC-0-DC of channel A (B) to position DC.
- Set x1-x10 of channel A (B) to position x1.
- Set V/div to position 10 mV/div.
- Set potentiometer V/div of channel A (B) to position CAL.
- Apply an 80 mVp-p voltage with a frequency of 2 kHz to socket YA (YB).
- Check that the picture height is 8 divisions. If necessary, adjust the picture height to exactly 8 divisions with R82 (R282).
- Set x1-x10 of channel A (B) to position x10.
- Reduce the input voltage to 8 mVp-p.
- Check that the picture height is 8 divisions, + or -1 %.
- Display a picture with a height of 8 divisions.
- Turn potentiometer V/div of channel A (B) fully anticlockwise from the CAL position. The picture height should now be between 3 and 1.3 divisions.

3. Noise

- Set x1-x10 of channel A (B) to position x10.
- Set V/div of channel A (B) to position 10 mV/div.
- With open-circuited input the height of the trace caused by noise should not exceed 0.2 divisions. The interference signal of the H. T. converter should not cause a trace height of more than 0.1 division. For this measurement the cabinet panels should be mounted.

4. Squarewave response

- Set AC-0-DC of channel A (B) to position DC.
- Set x1-x10 of channel A (B) to position x1.
- Set V/div of channel A (B) to position 10 mV/div.
- Set potentiometer V/div of channel A (B) to position CAL.
- Apply a squarewave voltage of 40 mVp-p, frequency 500 kHz, rise time approx. 3 ns to socket YA (YB).
- Adjust for a stationary trace with LEVEL.
- Adjust trimmers C55 (C255), C56 (C256) and C59 (C259) so that just no overshoot occurs and that the rise time of the squarewave voltage displayed is minimum.
- Reduce the frequency of the input voltage to 100 kHz (rise time 10 ns).
- Check that no droop occurs. If necessary, select another value for the components of RC filter R162 (R362)-C54 (C254) and R160 (R360)-C50 (C250). After this, the check at 500 kHz should be repeated.
- Apply a squarewave voltage with a frequency of 2 kHz (rise time 200 ns) to YA (YB).
- At a trace height of 8 divisions, + or -2.5 %, adjust the relevant trimmers (see table and fig. 11) so that just no overshoot occurs.

Position of V/div of channel A (B)	Trimmer
20 mV	C42 (C242)
50 mV	C46 (C246)
100 mV	C26 (C226)
200 mV	C43 (C243)
500 mV	C48 (C248)
1 V	C31 (C231)
10 V	C36 (C236)

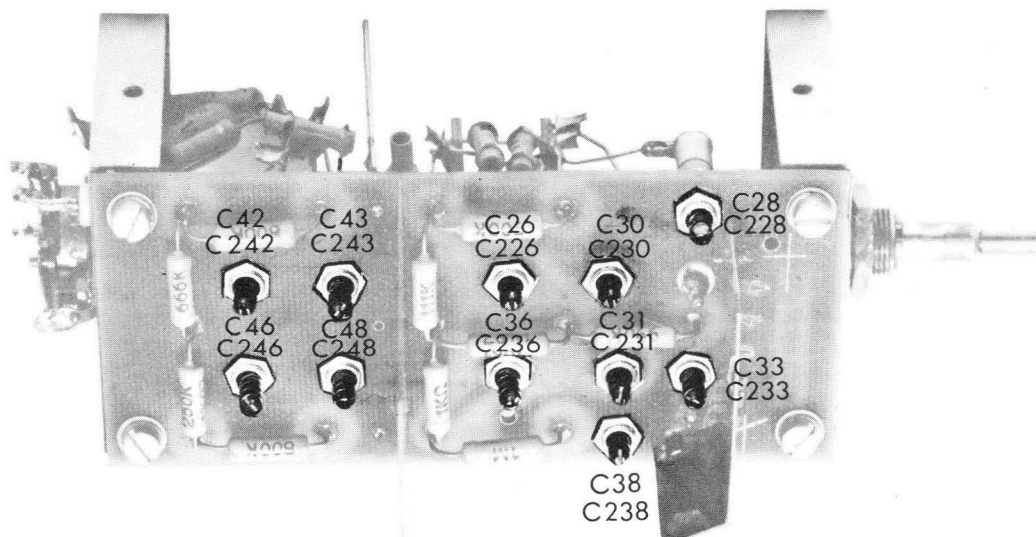


Fig. 11. Attenuator unit

- Connect a 1 : 10 attenuator probe to socket YA (YB).
- Set x1-x10 of channel A (B) to position x1.
- Set V/div of channel A (B) to position 10 mV/div.
- Apply a squarewave voltage of 160 mVp-p. frequency 2 kHz, to the measuring probe.
- Check the squarewave response via the measuring probe; permissible overshoot 2 % (Fig. 12).
If necessary, readjust the trimmer in the measuring probe (see chapter XIV-B-2).
- Check the attenuation of the measuring probe. This should be 10x, + or -2.5 %.
- Set x1-x10 of channel A (B) to position x10.
- Check the squarewave response via the measuring probe in positions 100 mV, 1 V and 10 V of V/div of channel A (B) at a trace height of 8 divisions, If necessary, correct this with trimmers C28 (C228), C33 (C233) and C38 (C238).
- Set x1-x10 of channel A (B) to position x1.
- Check the squarewave response at a trace height of 8 divisions in positions 20 mV and 50 mV of V/div of channel A (B).

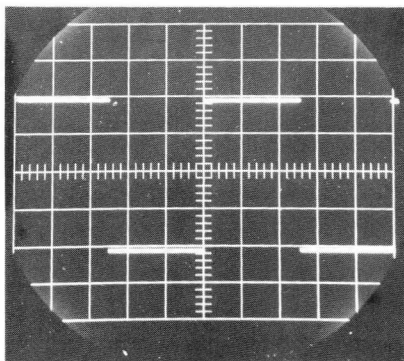


Fig. 12. Squarewave response

5. Bandwidth

- Set V/div of channel A (B) to position 10 mV/div.
- Successively set x1-x10 of channel A (B) to positions x1 and x10.
- Check that the bandwidth meets the following requirements at a trace height of 8 divisions.

Position x1

2 kHz = 8 div.

15 MHz \geq 5.6 div.

Position x10

2 kHz = 8 div.

5 MHz \geq 5.6 div.

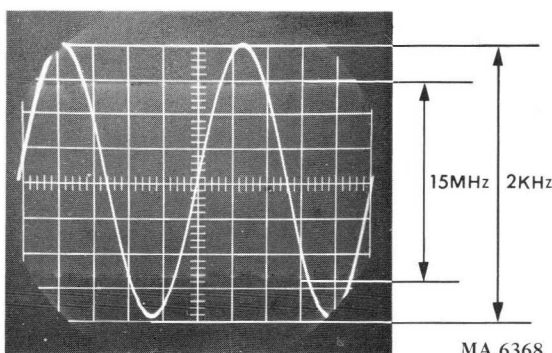


Fig. 13. Bandwidth

- If necessary, correct the squarewave response (point 4).
- Check that in position AC of AC-0-DC of channel A (B) a voltage applied to socket YA (YB) is blocked by capacitor C51 (C251).

6. Deflection and shift

- Set AC-0-DC of channel A (B) to position DC.
- Set x1-x10 of channel A (B) to position x1.
- Set V/div of channel A (B) to position 100 mV/div.
- Set potentiometer V/div of channel A (B) to position CAL.
- Apply a sinewave voltage to socket YA (YB) with a frequency of 1 MHz and such an amplitude that the picture height is 2.4 divisions.
- Set V/div of channel A (B) to position 10 mV/div.
- Check that the peaks of the signal can be displayed undistorted within the measuring graticule by means of Y POSITION of channel A (B).

E. CALIBRATION VOLTAGE

(This check should be carried out when the instrument has reached its working temperature.)

- Set AC-0-DC A (B) to DC.
- Set x1-x10 A (B) to x10.
- Set V/div A (B) to 1 V/div.
- Set potentiometer V/div. A (B) to CAL.
- Connect socket CAL 5 V to socket YA (YB).
- Check that the trace height is 5 divisions.
- If necessary, choose another value for R914 in order to obtain 0.5 % accuracy and, if further adjusting is necessary, replace R909.
- Check that the frequency of the calibration voltage measures $2.5 \text{ kHz} \pm 750 \text{ Hz}$.

F. HORIZONTAL AMPLIFIER

1. D.C. balance

- Set TIME/div to the extreme right position (X-AMPL).
- Check that the voltage on socket X-AMPL is 0 V, + or -100 mV.
If necessary, correct with R703.
- Adjust X POSITION so that the spots do not shift when X MAGN is turned. The spots should not be more than 1.5 division to the left or to the right of the vertical centre line.

2. Sensitivity

- Set TIME/div to the extreme right position (X-AMPL).
- Set X MAGN to position x1.
- Apply a squarewave voltage of 8 Vp-p frequency 2 kHz to socket X-AMPL.
- Position the trace symmetrically around the screen centre with X POSITION. If necessary, correct with R722.
- Check that the picture width is 8 divisions. If necessary, adjust R718 so that the width is exactly 8 divisions.
- Reduce the input voltage to 1.6 Vp-p.
- Set X MAGN to position x5.
The trace width should now be 8 divisions + or -5 %. If required, select another value for R721.
After this, readjust R718.

3. Squarewave response

- Set X MAGN to position x1.
- Apply a squarewave voltage of 8 V_{p-p}, frequency 100 kHz to socket X-AMPL.
- Apply an external time base voltage to socket YA.
- Check that the squarewave response is optimum.
If required, select another value for R720 and C704.
- Set X MAGN to position x5.
- Reduce the input voltage to 1.6 V_{p-p}.
- Check that the squarewave response is optimum.
If required, select another value for C700 or C705. In the latter case the check in position x1 of X MAGN should be repeated.

4. Bandwidth

- Set X MAGN to position x5.
- Check the bandwidth at a trace width of 8 divisions.
This should meet the following requirements:
2 kHz = 8 divisions
2 MHz \geq 5.6 divisions
- If necessary, repeat point 3.

G. TIME BASE GENERATOR

1. Stability

- Set AC-0-DC of channel A to position 0.
- Set X MAGN to position x1.
- Set YA-EXT-YB to position YA.
- Set Y POSITION and LEVEL to the centre position.
- Set TIME/div to position 0.5 msec.
- Set potentiometer TIME/div to position CAL.
- Adjust STAB so that just no time base line is displayed.
- Set LEVEL to position AUTO.
Now a time base line should be displayed.

2. Triggering

a. Internal

- Set NORMAL/TV FRAME to position NORMAL.
- Set YA-EXT-YB to position YA.
- Set potentiometers TIME/div and V/div of channel A to position CAL.
- Set switch TIME/div of channel A to position 0.5 msec.
- Set LEVEL to position AUTO.
- Apply a sinewave voltage to socket YA, with a frequency of 2 kHz and such an amplitude that the trace height is 4 divisions.
- Check that the starting point of the signal lies at the zero line of the sinewave when changing over TRIGG +/-.
Correction is possible with R510 and R512, if necessary, select another value for R513.
- Check that in position + of switch TRIGG +/- a stationary trace is obtained.
- Decrease the amplitude of the input signal and repeat this check.
- Increase the amplitude of the input signal until a trace height of 8 divisions is obtained.
- Check that the trigger level can be varied over 8 divisions with LEVEL.

The following checks should be carried out both for channel A and for channel B.

- Set LEVEL to position AUTO.
- Set YA-EXT-YB to position YA (YB).
- Set potentiometers TIME/div and V/div of channel A (B) to position CAL.
- Apply sinewave voltages with frequencies of 10 Hz and 5 MHz to socket YA (YB).
- Check that a stationary trace is obtained at a trace height of 0.8 divisions and with switch TRIGG +/- both in position + and -.
- Increase the frequency of the input signal to 15 MHz.
- Check that a stationary trace is obtained at a trace height of 1.6 divisions.
- Set LEVEL out of position AUTO.
- Check that a stationary trace can be obtained with LEVEL at a trace height of 0.4 divisions and frequencies of 10 Hz and 5 MHz.
- Repeat this check at a trace height of 1.6 divisions and a frequency of 15 MHz.
- Check that no double trace occurs when the time coefficient is varied with potentiometer TIME/div.

b. External

- Set YA-EXT-YB to position EXT.
- Set LEVEL to position AUTO.
- Apply a sinewave voltage of 0.8 Vp-p, frequency 10 Hz, to socket TRIGG.
- Also apply this voltage to socket YA.
- A stationary trace should now be obtained.
- Check this both in position + and - of the switch TRIGG +/-.
- Repeat this check at frequencies of 5 MHz and 15 MHz.
- Set LEVEL out of position AUTO.
- Check that at a frequency of 15 MHz a stationary trace can be obtained by means of control LEVEL.
- Reduce the voltage on socket TRIGG to 0.4 Vp-p (at 15 MHz to 0.8 Vp-p).
- Check that at frequencies of 10 Hz, 5 MHz a stationary trace can be obtained by means of control LEVEL.

c. TV-frame

- Set YA-EXT-YB to position YA.
- Set NORMAL/TV FRAME to position TV FRAME.
- Set switch TRIGG +/- to position -.
- Check if it is possible with LEVEL to obtain a picture triggered on the frame pulse, at a trace height of 0.2 divisions (video including synchronising signal).

3. Time coefficients

- Set NORMAL/TV FRAME to position NORMAL.
 - Set switch TRIGG +/- to position +.
 - Set YA-EXT-YB to position YA.
 - Set TIME/div to position 1 msec/div.
 - Set potentiometer TIME/div to position CAL.
 - Set X MAGN to position x1.
 - Apply a pulse voltage with a pulse duration of 1 msec to socket YA.
 - Check that over the central 8 divisions 8 complete periods are displayed. Correction is possible with R642.
 - Check the time coefficient in positions 0.2 msec/div and 50 μ sec/div over the central 8 divisions.
 - Check the time coefficient in position 0.2 μ sec/div.
- If required, accurate adjustment is possible with trimmer C618.

- Check the time coefficients and the length of the time base line in all positions of TIME/div.
The time coefficients should be equal to the values given on the text plate within 2 %. The length of the time base line should be at least 10 divisions in every position.
- Set TIME/div to position 2 msec/div.
- Check the control range of potentiometer TIME/div.
This should be at least 1 : 2.5.

4. Shift

- Set TIME/div to position 0.2 sec/div.
- Set AC-0-DC of channel A to position 0.
- Set potentiometer TIME/div to position CAL.
- Set X MAGN to position x5.
- Set LEVEL to position AUTO.
- Check that the ends of the time base line can be displayed within the screen with control X POSITION.

5. Beam deflection

- Set LEVEL to position AUTO.
- Set TIME/div to positions 0, 2, 0.5 and 1 μ sec/div successively.
- Check that max. 2 divisions of the flyback of the sawtooth voltage are visible and that the brightness of the time base line is constant over its whole length.

6. Z-modulation

- Apply a negative pulse voltage of 15 Vp-p with a frequency of 2 kHz to socket Z-MOD A (B).
- Trigger the instrument with this voltage.
- Check the brightness modulation of the trace at normal brightness.

7. Sawtooth voltage on socket TIME BASE

Check that this voltage has a value of approx. 8 Vp-p at no load.

XII. REPLACING PARTS

A. GENERAL

After replacing a component it may be necessary to completely readjust the relevant circuit. For this reference is made to chapter "CHECKING AND ADJUSTING" and the footnotes of the electrical parts list.

During the replacement of components the instrument should be switched off.

B. REPLACING THE CATHODE-RAY TUBE

Attention: When replacing the cathode-ray tube it should be taken into account that all connection pins of this tube are very vulnerable.

1. Remove the H. T. connection.
2. Remove the protective cap, the graticule and the contrast-enhancing material.
3. Loosen locking screw B (see Fig. 9).
4. Remove the tube holder and detach all tube connections.
5. Push the tube out of the oscilloscope in forward direction.
6. Mount the new tube in the oscilloscope.

Place the tube in the correct position with the aid of lever "A" (Fig. 9).

7. Tighten locking screw B.
8. Refit the tube holder and the tube connections.
9. Refit the protective cap, the graticule and the contrast-enhancing filter.
10. Readjust the instrument according to chapter "CHECKING AND ADJUSTING".

C. REPLACING TRANSISTOR BCY87

In view of difficulties in obtaining the dual transistor BCY87 (TS67 and TS267), the following solutions have been found.

1. In stead of one BCY87, two selected BC109C transistors have been used, thermally coupled by means of a bracket and a plastic cap. Owing to the position of the two transistor holders (used for one BCY87), the connecting wires of the coupled BC109C transistors have been bent into the position shown in figure 14. The connecting wires are also fitted with insulating sleeves. When servicing, this combination can readily be replaced by a BCY87 if the latter is available.
2. In instruments designated "2 x BC109C" on the Y-amplifier board, a change has been made to the printed wiring.

This facilitates the insertion of 2 x BC109C transistor combination in the holders without having to bend the connecting wires to the position shown in Fig. 14. For replacement purposes, a pair of thermally-coupled transistors can be ordered from the Service Department. The plastic cap can also be supplied.

For ordering numbers see chapter XV "List of Parts".

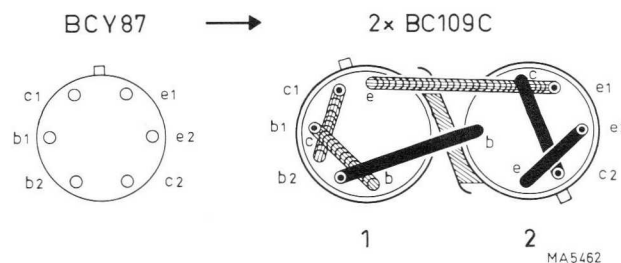


Fig. 14. Transistors BCY87 and coupled pair "2 x BC109C" seen from below

XIII. INFORMATION FOR ASSISTANCE IN FAULT FINDING

A. TRANSFORMER DATA

On the circuit diagram of the supply unit (Fig. 37) tables are given with the winding data and no load voltages of supply transformer T801 and the winding data of converter transformer T802.

B. VOLTAGE LEVELS AND VOLTAGE WAVEFORMS

The d. c. levels on the electrodes of the transistors and the voltage waveforms in the time base generator and the trigger unit are indicated on the circuit diagrams (Figs. 30, 31, 32, 34).

The d. c. values have been measured with voltmeter PM 2401; the voltage waveforms have been measured with oscilloscope PM 3221. These values may slightly differ per instrument.

The measurements have been carried out under the following conditions:

- Switches AC-0-DC in position 0.
- Switches V/div in position .01 V/div.
- Potentiometers V/div in position CAL.
- Switch TIME/div in position .1 msec/div.
- Potentiometer TIME/div in position CAL.
- Potentiometer LEVEL in position AUTO.
- Potentiometer X MAGN in position x1.
- Switches x1-x10 in position x10.
- Potentiometers X POSITION and Y POSITION in the centre position.

XIV. INFORMATION CONCERNING ACCESSORIES

A. ADAPTOR PM 9051

This is an adaptor to make a BNC socket suitable for the connection of two 4 mm plugs.



Fig. 15. Adaptor PM 9051

B. ATTENUATOR PROBE SETS PM 9236 AND PM 9327

These passive probe sets for the PM 3231 are equal but for the length of the probe cable, which is 1.15 m (3.8 ft) for the PM 9236 and 2 m (6.5 ft) for the PM 9327.

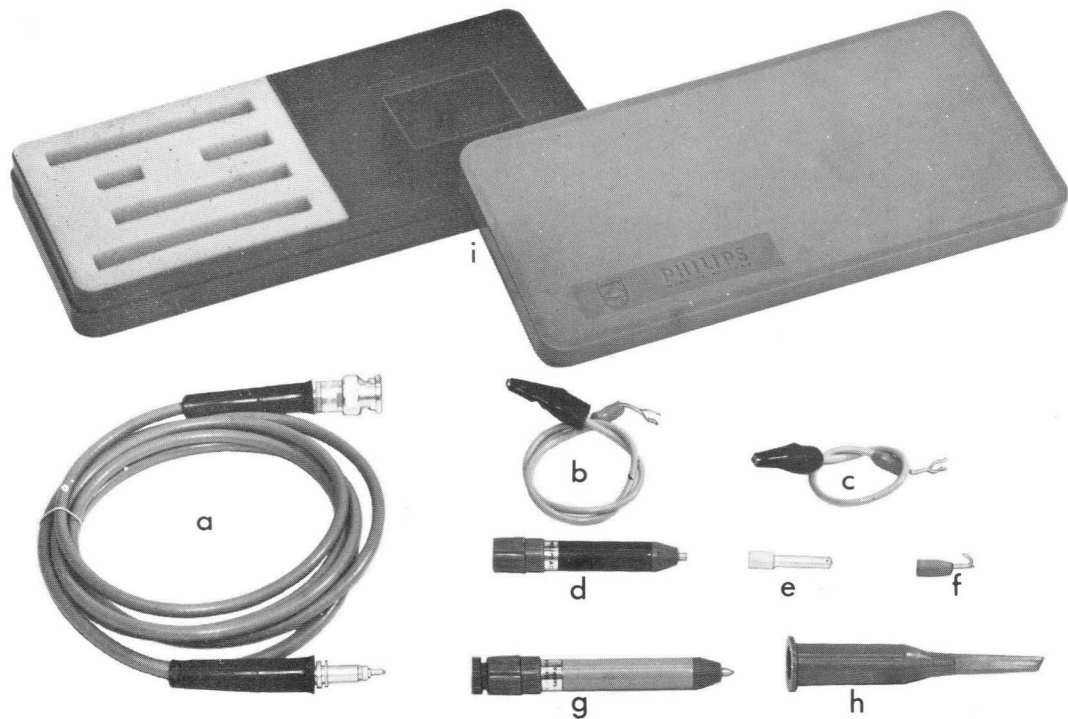
Note:

The measuring probe and the earthing flex can be simply pulled from the cable.

The measuring clip, 4-mm plug and the measuring hook are screwed onto the measuring probe.

The sets consist of:

1 probe cable	Fig. 16a
1 earthing flex 15 cm (6")	Fig. 16b
1 earthing flex 30 cm (1')	Fig. 16c
1 measuring probe 1 : 1 (black)	Fig. 16d
1 measuring pin	Fig. 16e
1 measuring hook	Fig. 16f
1 attenuator probe 1 : 10 (grey)	Fig. 16g
1 measuring clip	Fig. 16h
1 box	Fig. 16i



MA 6370

Fig. 16. Probe set

1. Technical data

Attenuation	: 1 : 10 \pm 3 %
Input impedance	: 10 M Ω //8 pF
Max. permissible input voltage	: 1, 000 Vp-p

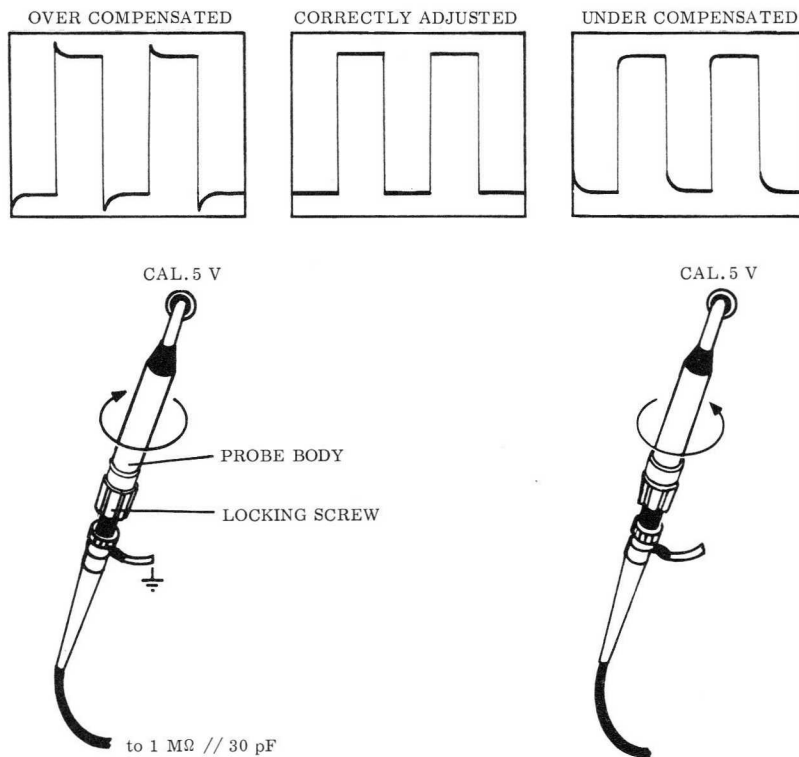
Maximum d.c. component 500 V with the blocking capacitor included into the circuit.

2. Adjustment (see Fig. 17)

- Unscrew the "locking nut" by turning it anti-clockwise.
- Rotate the "probe body" to change capacitance while watching display for desired waveform.
- When compensation is completed, carefully turn the "locking nut" clockwise, to lock it without disturbing the adjustment.

Note:

The attenuator probe may cause distortion if it is not correctly adjusted (see "Checking and adjusting", chapter XI.D.).

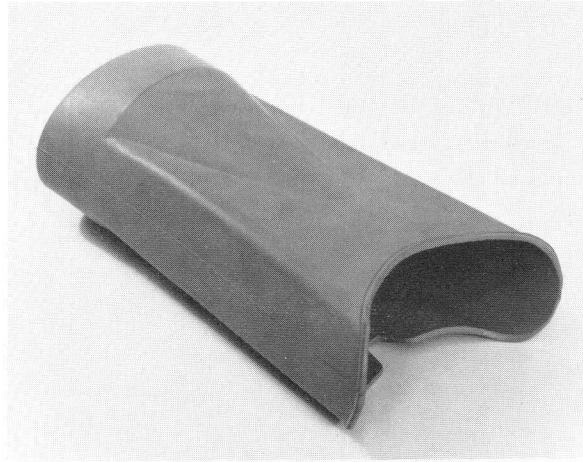


MA6290

Fig. 17. Adjustment of attenuator probe

C. VIEWING HOOD PM 9370 (Fig. 18)

This is a rubber viewing hood for shielding the tube face from external light when the intensity of the light produced by the oscilloscope screen is low e.g. when observing phenomena with a low repetition frequency and a fast rise-time.

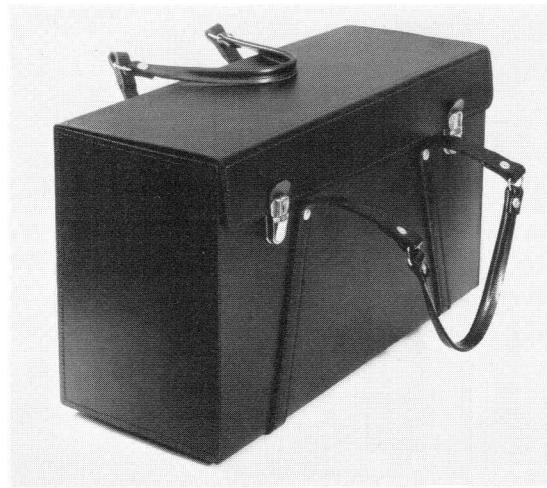


MA 6371

Fig. 18. Viewing hood

D. CARRYING CASE PM 9303 (Fig. 19)

This is a leather carrying case in which is room for a PM 3230 and accessories s of measuring probes and measuring cables.



MA 6372

Fig. 19. Carrying case

1. Technical data

Attenuation	: 1 : 10 \pm 3 %
Input impedance	: 10 M Ω //8 pF
Max. permissible input voltage	: 1, 000 Vp-p

Maximum d.c. component 500 V with the blocking capacitor included into the circuit.

2. Adjustment (see Fig. 17)

- Unscrew the "locking nut" by turning it anti-clockwise.
- Rotate the "probe body" to change capacitance while watching display for desired waveform.
- When compensation is completed, carefully turn the "locking nut" clockwise, to lock it without disturbing the adjustment.

Note:

The attenuator probe may cause distortion if it is not correctly adjusted (see "Checking and adjusting", chapter XI.D.).

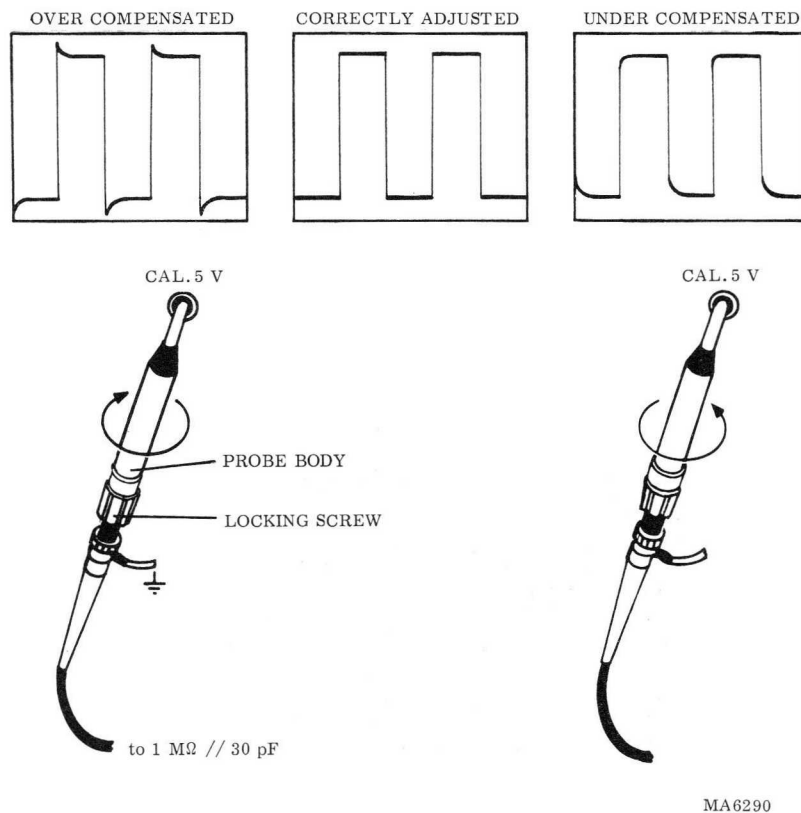
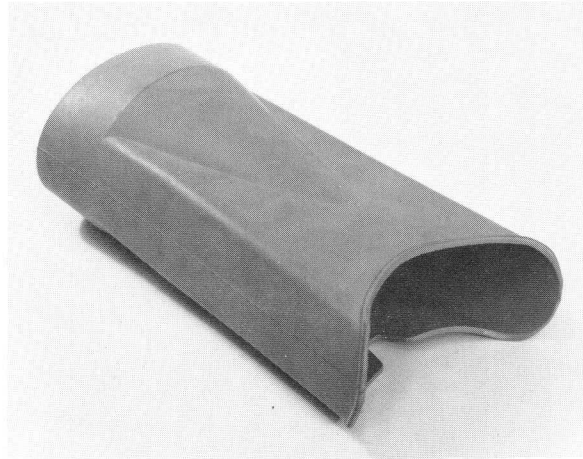


Fig. 17. Adjustment of attenuator probe

C. VIEWING HOOD PM 9370 (Fig. 18)

This is a rubber viewing hood for shielding the tube face from external light when the intensity of the light produced by the oscilloscope screen is low e. g. when observing phenomena with a low repetition frequency and a fast rise-time.

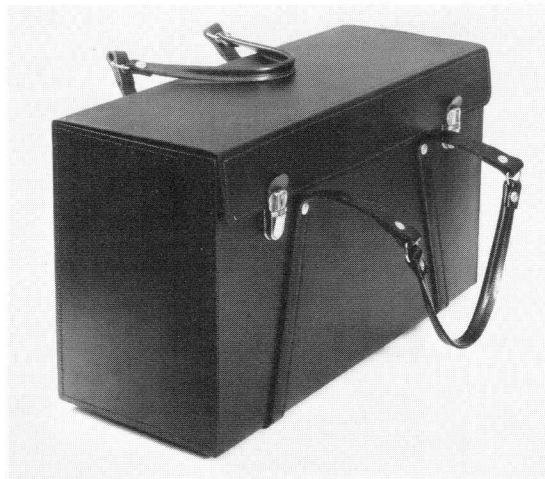


MA 6371

Fig. 18. Viewing hood

D. CARRYING CASE PM 9303 (Fig. 19)

This is a leather carrying case in which is room for a PM 3230 and accessories s of measuring probes and measuring cables.



MA 6372

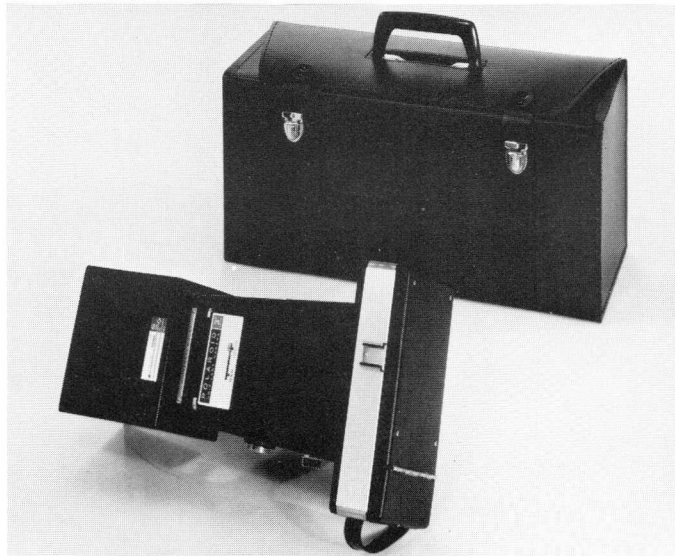
Fig. 19. Carrying case

E. MULTI-PURPOSE OSCILLOSCOPE CAMERA PM 9380 (Fig. 20)

Camera PM 9380 has been designed to photograph oscilloscope displays in a quick and simple manner. It incorporates the Polaroid instant photographic process which has the advantage that you can see the picture only a few moments after taking it.

The PM 9380 consists of:

- Camera body
- Lens unit
- Carrying case
- Detailed handbook



MA 6373

Fig. 20. Camera-set PM 9380

F. ADAPTOR PM 9374 (Fig. 21)

This adaptor forms the connection between camera PM 9380 and oscilloscope PM 3231. The dimensions of the adaptor are such, that the camera is automatically focussed when the camera-adaptor combination is held against the oscilloscope.



MA 6374

Fig. 21. Adaptor PM 9374

XV. LISTS OF PARTS

A. MECHANICAL

Item	Fig.	Quantity	Ordering number	Description
1	22	1	4822 455 80049	Text plate
2	22	4	4822 277 20014	Slide switch SK1-SK2-SK10-SK13
3	22	4	4822 277 20009	Slide switch SK3-SK7-SK9-SK12
4	22	3	4822 290 40011	Connection terminal BU7-BU9-BU10
5	22	2	4822 290 40012	Earthing terminal BU1-BU8
6	22	3	4822 413 40112	Knob, 23 mm diam., spindle 6 mm diam.
7	22	5	4822 413 30085	Knob, 14.5 mm diam., spindle 4 mm diam.
8	22	5	4822 413 70039	Cover for knob item 7
9	22	1	4822 101 40041	Potentiometer with switch (R2 + SK5)
10	22	1	4822 273 80123	Time base switch SK4
11	22	1	4822 325 80058	Grommet for BU4
12	22	1	4822 268 10031	Contact pen for BU4
13	22	5	4822 413 30082	Knob, 14.5 mm diam., spindle 6 mm diam.
14	22	5	4822 413 70038	Cover for knob item 13
15	22	1	4822 101 40019	Potentiometer with switch (R5 + SK8)
16	22	2	4822 413 40211	Knob, 23 mm diam., spindle 6 mm diam.
17	22	2	4822 273 60073	Attenuator switch SK11-SK14
18	22	4	4822 267 10004	BNC connector BU2-BU3-BU5-BU6
19	22	1	4822 381 10116	Lens for LA5
20	22	1	4822 255 10007	Lamp holder for LA5
21	22	1	4822 277 10021	Mains switch SK6
22	22	4	4822 255 20022	Lamp holder for LA1...LA4
23	22	1	4822 450 10012	Graticule
24	22	1	4822 480 30036	Contrast plate
25	23	2	4822 460 60011	Ornamental strip
26	23	1	4822 498 40068	Handle
27	23	1	4822 693 80003	Mains cord container
28	23	1	4822 325 60119	Grommet
29	23	1	4822 256 40026	Fuse holder
30	23	1	4822 277 20014	Slide switch SK15
31	9	1	4822 290 30044	Anode socket
32	9	1	4822 255 70099	Valve socket for B402
33	9-10	22	4822 693 40002	Printplate fixing clip
34	24	4	4822 462 70221	Foot
35	10	2	4822 532 50035	Spacer for R10-R9 and R14-R15
36	10	2	4822 506 40009	Plastic nut for R10-R9 and R14-R15
37	24	1	4822 320 40022	Delay cable
-	-	1fl	4822 390 10007	Switch oil
-	-	7	4822 255 40015	Transistor socket TO-5
-	-	4	4822 255 40057	Transistor socket Preh.
-	-	76	4822 255 40012	Transistor socket Lumberg

Item	Fig.	Quantity	Ordering number	Description
-	25-26	2	4822 105 30061	Attenuator unit (complete)
-	25-26	2	4822 492 40392	Coupling spring for R7, R12
-	-	1	4822 492 40377	Coupling spring for R2
38	24	4	4822 466 80315	Cabinet rim
39	24	4	4822 417 20016	Quick-release screw
40	24	1	4822 404 50442	Tilting-bracket
41	23	1	4822 321 10073	Mains flex
42	10	2	4822 255 40054	Heat sink spring for TS703, TS709
43	-	1	4822 600 30008	Plastic dust cover
44	9	2	4822 462 70715	Plastic cap for "2 x BC109C"

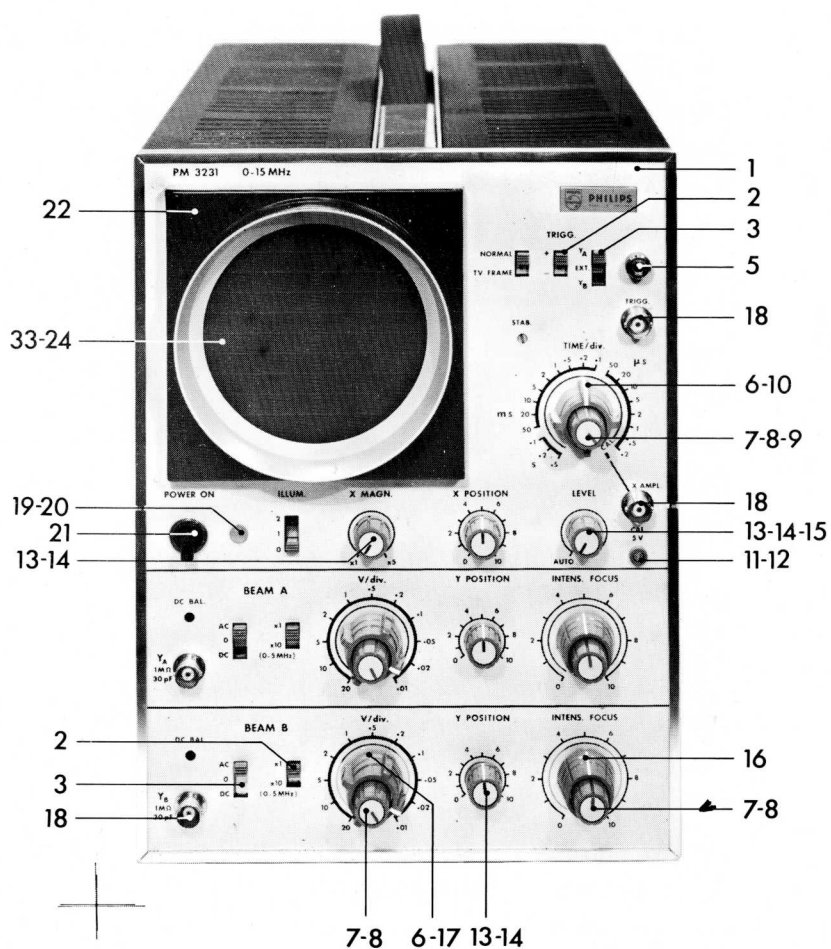


Fig. 22. Front view with indication of item numbers

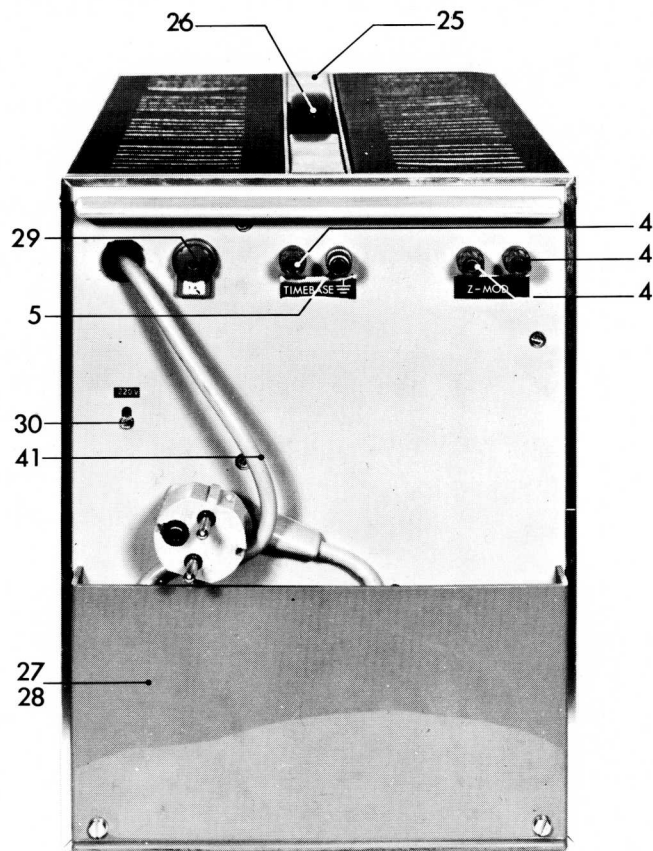


Fig. 23. Rear view with indication of item numbers

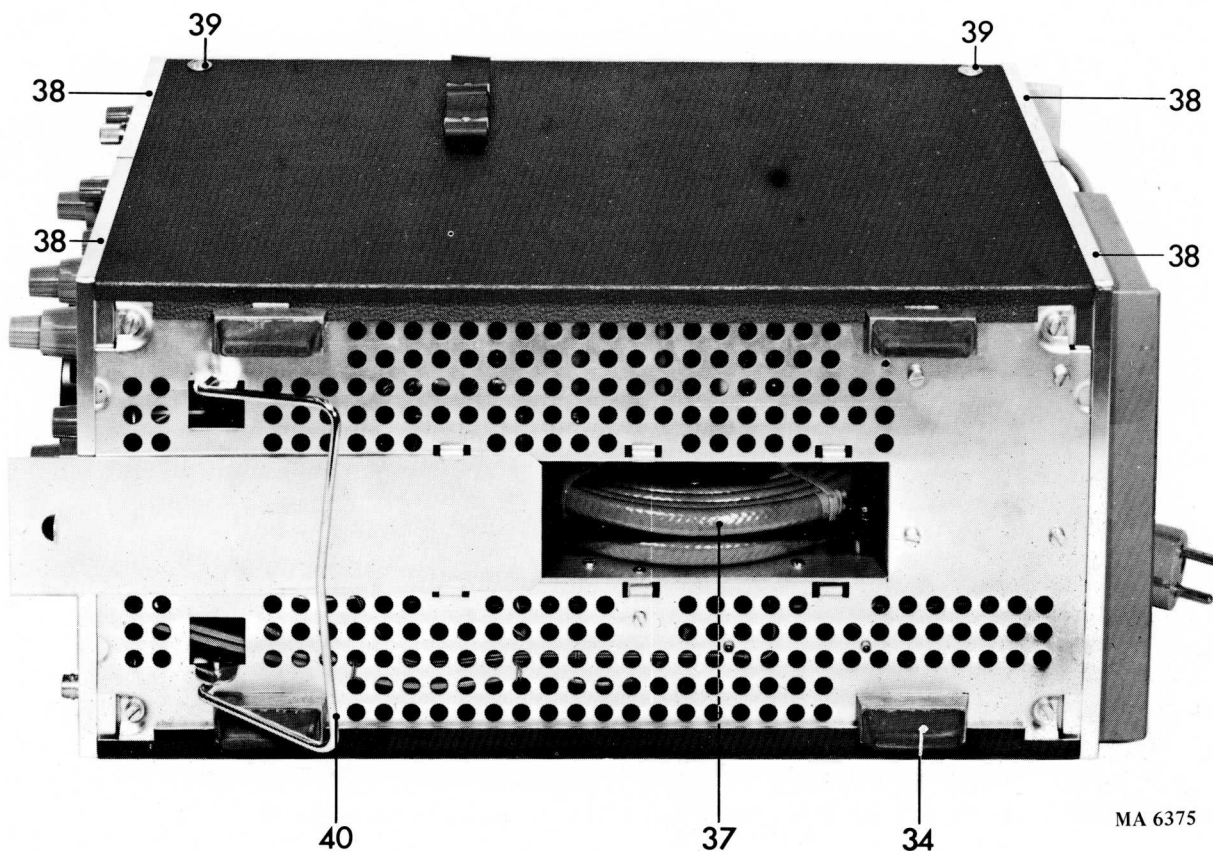


Fig. 24. Bottom view with indication of item numbers

MA 6375

B. ELECTRICAL — ELEKTRISCH — ELEKTRISCH — ELECTRIQUE — ELECTRICOS

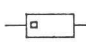

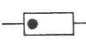



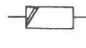
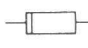
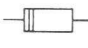










This parts list does not contain multi-purpose and standard parts. These components are indicated in the circuit diagram by means of identification marks. The specification can be derived from the survey below.

Diese Ersatzteilliste enthält keine Universal- und Standard-Teile. Diese sind im jeweiligen Prinzipschaltbild mit Kennzeichnungen versehen. Die Spezifikation kann aus nachstehender Übersicht abgeleitet werden.

In deze stuklijst zijn geen universele en standaardonderdelen opgenomen. Deze componenten zijn in het prinsipschema met een merkteken aangegeven. De specificatie van deze merktekens is hieronder vermeld.

La présente liste ne contient pas des pièces universelles et standard. Celles-ci ont été repérées dans le schéma de principe. Leurs spécifications sont indiquées ci-dessous.

Esta lista de componentes no comprende componentes universales ni standard. Estos componentes están provistos en el esquema de principio de una marca. El significado de estas marcas se indica a continuación.

	Carbon resistor E24 series Kohleschichtwiderstand, Reihe E24 Koolweerstand E24 reeks Résistance au carbone, série E24 Resistencia de carbón, serie E24	} 0,125 W	} 5%		Carbon resistor E12 series Kohleschichtwiderstand, Reihe E12 Koolweerstand E12 reeks Résistance au carbone, série E12 Resistencia de carbón, serie E12	} 1	} $W \leq 2,2 \text{ M}\Omega$, 5% $> 2,2 \text{ M}\Omega$, 10%	
	Carbon resistor E12 series Kohleschichtwiderstand, Reihe E12 Koolweerstand E12 reeks Résistance au carbone, série E12 Resistencia de carbón, serie E12			} 0,25 W	} $\leq 1 \text{ M}\Omega$, 5% $> 1 \text{ M}\Omega$, 10%			
	Carbon resistor E24 series Kohleschichtwiderstand, Reihe E24 Koolweerstand E24 reeks Résistance au carbone, série E24 Resistencia de carbón, serie E24	} 0,5 W	} $\leq 5 \text{ M}\Omega$, 1% $> 5 \text{ M}\Omega$, 2% $> 10 \text{ M}\Omega$, 5%				Wire-wound resistor Drahtwiderstand Draadgewonden weerstand Résistance bobinée Resistencia bobinada	} 0,4 – 1,8 W
	Carbon resistor E12 series Kohleschichtwiderstand, Reihe E12 Koolweerstand E12 reeks Résistance au carbone, série E12 Resistencia de carbón, serie E12			} 0,5 W	} $\leq 1,5 \text{ M}\Omega$, 5% $> 1,5 \text{ M}\Omega$, 10%		Wire-wound resistor Drahtwiderstand Draadgewonden weerstand Résistance bobinée Resistencia bobinada	
	Wire-wound resistor Drahtwiderstand Draadgewonden weerstand Résistance bobinée Resistencia bobinada	} 10 W	} 5%					
	Tubular ceramic capacitor Rohrkondensator Keramische kondensator, buistype Condensateur céramique tubulaire Condensador cerámico tubular			} 500 V			Polyester capacitor Polyesterkondensator Polyesterkondensator Condensateur au polyester Condensador polyester	} 400 V
	Tubular ceramic capacitor Rohrkondensator Keramische kondensator, buistype Condensateur céramique tubulaire Condensador cerámico tubular	} 700 V				Flat-foil polyester capacitor Miniatur-Polyesterkondensator (flach) Platte miniatuur polyesterkondensator Condensateur au polyester, type plat Condensador polyester, tipo de placas planas	} 250 V	
	Ceramic capacitor, "pin-up" Keramikkondensator "Pin-up" (Perltyp) Keramische kondensator "Pin-up" type Condensateur céramique, type perle Condensador cerámico, versión "colgable"		} 500 V			Paper capacitor Papierkondensator Papierkondensator Condensateur au papier Condensador de papel		} 1000 V
	"Microplate" ceramic capacitor Miniatur-Scheibenkondensator "Microplate" keramische kondensator Condensateur céramique "microplaca" Condensador cerámico "microplaca"	} 30 V				Wire-wound trimmer Drahttrimmer Draadgewonden trimmer Trimmer à fil Trimmer bobinado		
	Mica capacitor Glimmerkondensator Micakondensator Condensateur au mica Condensador de mica		} 500 V			Tubular ceramic trimmer Rohrtrimmer Buisvormige keramische trimmer Trimmer céramique tubulaire Trimmer cerámico tubular		



For multi-purpose and standard parts, please see PHILIPS' Service Catalogue.

Für die Universal- und Standard-Teile siehe den PHILIPS Service-Katalog.

Voor universele en standaardonderdelen raadplege men de PHILIPS Service Catalogus.

Pour les pièces universelles et standard veuillez consulter le Catalogue Service PHILIPS.

Para piezas universales y standard consulte el Catálogo de Servicio PHILIPS.

Resistors

Item	Ordering number	Value	Watt	%	Description
R1	4822 101 20004	22 k Ω	0.1	20	Potentiometer
R2	4822 101 40041	4.7 k Ω	0.25	20	Potentiometer with switch (SK5)
R3	4822 101 34001	4.7 k Ω	0.25	20	Potentiometer
R4	4822 101 20111	22 k Ω	0.1	20	Potentiometer
R5	4822 101 40019	100 k Ω	0.25	20	Potentiometer with switch (SK8)
R6	4822 101 20074	2.2 k Ω	0.1	20	} Potentiometer
R7	4822 101 34002	250 Ω	0.15	20	
R8	4822 101 20271	300 Ω	0.25	20	
R9 } R10 }	4822 102 10058	2x1 M Ω	0.25	20	Dual potentiometer
R11	4822 101 20074	2.2 k Ω	0.1	20	} Potentiometer
R12	4822 101 34002	250 Ω	0.15	20	
R13	4822 101 20271	300 Ω	0.25	20	
R14 } R15 }	4822 102 10058	2x1 M Ω	0.25	20	Dual potentiometer
R26	4822 116 50197	900 k Ω	0.125	1	} Carbon resistor
R27	4822 111 20115	111 k Ω	0.125	1	
R28	4822 116 50046	990 k Ω	0.125	1	
R29	4822 116 50284	10.1 k Ω	0.125	1	
R31	4822 111 20317	1 M Ω	0.125	1	
R32	4822 116 50274	1 k Ω	0.125	1	
R33	4822 110 30187	500 k Ω	0.125	1	
R34	4822 111 20317	1 M Ω	0.125	1	
R36	4822 111 20147	800 k Ω	0.125	1	
R37	4822 116 50193	250 k Ω	0.125	1	
R82	4822 100 10037	1 k Ω	0.1	20	} Potentiometer
R101	4822 100 10038	470 Ω	0.1	20	
R104	4822 100 10075	100 Ω	0.1	20	
R114	4822 100 10037	1 k Ω	0.1	20	
R226	4822 116 50197	900 k Ω	0.125	1	} Carbon resistor
R227	4822 111 20115	111 k Ω	0.125	1	
R228	4822 116 50046	990 k Ω	0.125	1	
R229	4822 116 50284	10.1 k Ω	0.125	1	
R231	4822 111 20317	1 M Ω	0.125	1	
R232	4822 116 50274	1 k Ω	0.125	1	
R233	4822 110 30187	500 k Ω	0.125	1	
R234	4822 111 20317	1 M Ω	0.125	1	
R236	4822 111 20147	800 k Ω	0.125	1	
R237	4822 116 50193	250 k Ω	0.125	1	

Item	Ordering number	Value	Watt	%	Description
R282	4822 100 10037	1 k Ω	0.1	20	} Potentiometer
R301	4822 100 10038	470 Ω	0.1	20	
R304	4822 100 10075	100 Ω	0.1	20	
R314	4822 100 10037	1 k Ω	0.1	20	
R402	4822 100 10089	1 M Ω	0.1	20	
R403	4822 100 10089	1 M Ω	0.1	20	
R407	4822 101 20081	470 k Ω	0.1	20	
R408	4822 101 20081	470 k Ω	0.1	20	
R409	4822 101 20081	470 k Ω	0.1	20	
R414	4822 100 10089	1 M Ω	0.1	20	
R416	4822 100 10089	1 M Ω	0.1	20	
R419	4822 101 20081	470 k Ω	0.1	20	
R510	4822 100 10038	470 Ω	0.1	20	
R512	4822 100 10059	220 Ω	0.1		
R629	4822 116 50145	60 k Ω	0.25	1	
R632	4822 111 20144	600 k Ω	0.25	1	
R642	4822 100 10038	470 Ω	0.1	20	} Potentiometer
R707	4822 100 10036	4.7 k Ω	0.1	20	
R718	4822 100 10035	10 k Ω	0.1	20	} Potentiometer
R721	4822 100 10037	1 k Ω	0.1	20	
R744	4822 100 10036	4.7 k Ω	0.1	20	
R800a	4822 113 60073	1.8 Ω	1	5	Wire-wound resistor
R800	4822 115 40072	10 Ω	16	5	Carbon resistor
R803	4822 100 10037	1 k Ω	0.1	20	Potentiometer
R804	4822 113 60002	1 Ω	2	10	} Carbon resistor
R806	4822 113 60002	1 Ω	2	10	
R808	4822 100 10037	1 k Ω	0.1	20	Potentiometer

Capacitors

Item	Ordering number	Value	Volt	%	Description
C26...C48	4822 125 60037	6 pF	400 V	}	Trimmer
C226...C248	4822 125 60037	6 pF	400 V		
C50	4822 125 50018	22 pF	50 V		Trimmer
C51	4822 121 40145	100 nF	630 V		Polyester
C55	4822 125 50018	22 pF	50 V	}	Trimmer
C56	4822 125 50018	22 pF	50 V		
C59	4822 125 50018	22 pF	50 V		
C250	4822 125 50018	22 pF	50 V		
C251	4822 121 40145	100 nF	630 V		Polyester
C255	4822 125 50018	22 pF	50 V	}	Trimmer
C256	4822 125 50018	22 pF	50 V		
C259	4822 125 50018	22 pF	50 V		
C401	4822 121 40123	15 nF	1600 V	}	Polyester
C402	4822 121 40123	15 nF	1600 V		

Item	Ordering number	Value	Volt	%	Description
C403	4822 125 50061	5.5 pF	50 V		Trimmer
C507	4822 124 20344	2.5 μ F	16 V		Electrolytic
C602	4822 120 60106	910 pF	500 V		Mica
C603	4822 111 30192	10 nF	200 V	}	Box capacitor
C604		100 nF	200 V		
C606		1 μ F	200 V		
C607		10 μ F	200 V		
C619	4822 120 60083	120 pF	500 V	1	Mica
C625	4822 122 10055	390 pF	500 V		Ceramic
C631	4822 124 20344	2.5 μ F	16 V	}	Electrolytic
C641	4822 124 20355	10 μ F	16 V		
C642	4822 124 20353	10 μ F	25 V		
C801	4822 124 40003	1600 μ F	40 V		
C802	4822 124 20157	8 μ F	64 V		
C803	4822 121 40194	220 nF	100 V	10	Polyester
C804	4822 124 40013	1 μ F	250 V	10	
C806	4822 124 10012	100 μ F	20 V	}	Tantalum
C807	4822 124 10005	3.3 μ F	15 V		
C808	4822 124 10005	3.3 μ F	15 V		
C809	4822 124 20194	32 μ F	100 V	}	Electrolytic
C811	4822 124 20342	1 μ F	40 V		
C814	4822 124 20372	32 μ F	64 V		
C818	4822 124 20369	50 μ F	25 V		
C819	4822 124 20379	80 μ F	25 V		
C820	4822 124 20355	12.5 μ F	25 V		
C821	4822 124 20355	12.5 μ F	25 V		
C823	4822 124 20379	80 μ F	25 V		
C824	4822 124 20379	80 μ F	25 V		
C826	4822 124 20355	12.5 μ F	25 V		
C829	4822 124 20372	32 μ F	64 V		
C833	4822 124 20194	32 μ F	100 V		
C834	4822 124 20194	32 μ F	100 V		
C836	4822 124 20194	32 μ F	100 V		
C838	4822 121 40123	15 nF	1600 V	}	Polyester
C839	4822 121 40123	15 nF	1600 V		
C841	4822 121 30062	10 nF	3 kV	}	Jensen
C842	4822 121 30088	6.8 nF	5 kV		
C843	4822 121 40194	220 nF	100 V	}	Polyester
C844	4822 121 40194	220 nF	100 V		
C845	4822 124 20379	80 μ F	25 V		Electrolytic
C851	4822 121 40194	220 nF	100 V	}	Polyester
C852	4822 121 40194	220 nF	100 V		
C855	4822 124 20379	80 μ F	25 V	}	Electrolytic
C858	4822 124 20342	1 μ F	40 V		
C902	4822 121 40036	100 nF	100 V		Polyester

Limit values of choice components

When adjusting the instrument, the values of the choice components should be selected between the following limit values.

The choice components can be recognised in the circuit diagrams by the hatching over the components and the lacking of a value indication.

Resistors

R102	82 Ω ...	4.7 k Ω	R404	560	k Ω ...	1.5 M Ω
R113	0 Ω ...	2.2 k Ω	R405	820	k Ω ...	3.3 M Ω
R116	100 Ω ...	5.6 k Ω	R406		1.8 M Ω ...	3.9 M Ω
R130	100 Ω ...	2.2 k Ω	R410	820	k Ω ...	3.3 M Ω
R160	10 k Ω ...	33 k Ω	R417	560	k Ω ...	1.5 M Ω
R162	56 k Ω ...	180 k Ω	R418		1.8 M Ω ...	3.9 M Ω
R163	0 Ω ...	200 Ω	R513		1.8 k Ω ...	15 k Ω
R302	82 Ω ...	4.7 k Ω	R703	82	k Ω ...	180 k Ω
R313	0 Ω ...	2.2 k Ω	R720	10	Ω ...	39 Ω
R316	100 Ω ...	5.6 k Ω	R721	150	Ω ...	1 k Ω
R330	100 Ω ...	2.2 k Ω	R722	1	k Ω ...	8.2 k Ω
R360	10 k Ω ...	33 k Ω	R909		6.8 k Ω ...	27 k Ω
R362	56 k Ω ...	180 k Ω	R914	100	k Ω ...	1 M Ω
R363	0 Ω ...	200 Ω				

Capacitor

C54	10 pF...	330 pF	C260	0 pF...	82 pF
C60	0 pF...	82 pF	C704	12 pF...	47 pF
C254	10 pF...	330 pF	C705	56 pF...	220 pF

Diodes

Item	Version	Type	Ordering number	Description
GR51	/04	BAX13	4822 130 40182	Silicon diode
GR51	/05	BAW62	4822 130 30613	Silicon diode
GR52		OA202	4822 130 30239	Silicon diode
GR58		BA148	4822 130 30256	Silicon diode
GR59		BA148	4822 130 30256	Silicon diode
GR62		BA148	4822 130 30256	Silicon diode
GR63		BA148	4822 130 30256	Silicon diode
GR251	/04	BAX13	4822 130 40182	Silicon diode
GR251	/05	BAW62	4822 130 30613	Silicon diode
GR252		OA202	4822 130 30239	Silicon diode
GR258		BA148	4822 130 30256	Silicon diode
GR259		BA148	4822 130 30256	Silicon diode
GR262		BA148	4822 130 30256	Silicon diode
GR263		BA148	4822 130 30256	Silicon diode
GR501		OA202	4822 130 30239	Silicon diode
GR600	/04	BAX13	4822 130 40182	Silicon diode
GR600	/05	BAW62	4822 130 30613	Silicon diode
GR601		BZY88/C9V1	4822 130 30294	Zener diode
GR602		BAX13	4822 130 40182	Silicon diode
GR603		AAZ17	4822 130 30283	Germanium diode

Item	Version	Type	Ordering number	Description
GR606		BAX13	4822 130 40182	Silicon diode
GR607		BAX13	4822 130 40182	Silicon diode
GR608		BAX13	4822 130 40182	Silicon diode
GR611		BAX13	4822 130 40182	Silicon diode
GR701		OF162	4822 130 30266	Silicon diode
GR702		OF162	4822 130 30266	Silicon diode
GR703	/04	AAZ13	4822 130 30231	Germanium diode
GR703	/05	BAX13	4822 130 40182	Silicon diode
GR704	/04	AAZ13	4822 130 30231	Germanium diode
GR704	/05	BAX13	4822 130 40182	Silicon diode
GR706		OF162	4822 130 30266	Silicon diode
GR707		OF162	4822 130 30266	Silicon diode
GR708		OA202	4822 130 30239	Silicon diode
GR709		OA202	4822 130 30239	Silicon diode
GR711		BZX61/C68	4822 130 30431	Zener diode
GR712		BZX61/C68	4822 130 30431	Zener diode
GR801		E1120	4822 130 30541	Siemens diode
GR802		E1120	4822 130 30541	Siemens diode
GR803		BZY88/C5V6	4822 130 30193	Zener diode
GR804		OA202	4822 130 30239	Silicon diode
GR805		E1220	4822 130 30542	Siemens diode
GR806		OA202	4822 130 30239	Silicon diode
GR807		OA202	4822 130 30239	Silicon diode
GR808		OA202	4822 130 30239	Silicon diode
GR809		BA148	4822 130 30256	Silicon diode
GR810		E1220	4822 130 30542	Siemens diode
GR811		BA148	4822 130 30256	Silicon diode
GR812		BA148	4822 130 30256	Silicon diode
GR813		BA148	4822 130 30256	Silicon diode
GR814		OA202	4822 130 30239	Silicon diode
GR816		OA202	4822 130 30239	Silicon diode
GR817		OA202	4822 130 30239	Silicon diode
GR818		OA202	4822 130 30239	Silicon diode
GR819		BYX10	4822 130 30195	Silicon diode
GR820		BYX10	4822 130 30195	Silicon diode
GR821		BYX10	4822 130 30195	Silicon diode
GR822		BYX10	4822 130 30195	Silicon diode
GR823		BYX10	4822 130 30195	Silicon diode
GR824		BYX10	4822 130 30195	Silicon diode
GR825		BYX10	4822 130 30195	Silicon diode
GR826		BYX10	4822 130 30195	Silicon diode
GR827		BZY88/C9V1	4822 130 30294	Zener diode
GR828		BZY88/C9V1	4822 130 30294	Zener diode
GR829		BZY88/C9V1	4822 130 30294	Zener diode
GR833		BZY88/C9V1	4822 130 30294	Zener diode

Item	Version	Type	Ordering number	Description
GR834		BZY88/C9V1	4822 130 30294	Zener diode
GR836		BZY88/C9V1	4822 130 30294	Zener diode
GR837		BZY88/C9V1	4822 130 30294	Zener diode
GR841		BZY88/C9V1	4822 130 30294	Zener diode
GR901		BZY88/C6V8	4822 130 30079	Zener diode

Transistors

Item	Version	Type	Ordering number	Description
TS51'		BFW10	4822 130 40189	Field effect transistor, selected pair
TS51''		BFW10		
TS52		BF115	4822 130 40308	Silicon transistor
TS53		BF115	4822 130 40308	Silicon transistor
TS54		FW5324	4822 130 40142	Fairchild transistor
TS58'	BFY90	BFY90	4822 130 40188	Selected transistor pair
TS58''		BFY90		
TS59		BF115	4822 130 40308	Silicon transistor
TS60		BCY70	4822 130 40324	Silicon transistor
TS61		BF173	4822 130 40326	Silicon transistor
TS62		BF173	4822 130 40326	Silicon transistor
TS63		BF173	4822 130 40326	Silicon transistor
TS64		BF173	4822 130 40326	Silicon transistor
TS66		BF115	4822 130 40308	Silicon transistor
*TS67	/04	BCY87	4822 130 40423	Silicon transistor pair
TS67	/05	2xBC109C	4822 130 40662	Selected transistor pair
TS69		BF115	4822 130 40308	Silicon transistor
TS71		BF115	4822 130 40308	Silicon transistor
TS72		FW5324	4822 130 40142	Fairchild transistor
TS73		BF115	4822 130 40308	Silicon transistor
TS75		BF115	4822 130 40308	Silicon transistor
TS76		BF115	4822 130 40308	Silicon transistor
TS77		BCY70	4822 130 40324	Silicon transistor
TS78		BF173	4822 130 40326	Silicon transistor
TS79		BF173	4822 130 40326	Silicon transistor
TS81		BF173	4822 130 40326	Silicon transistor
TS82		BF173	4822 130 40326	Silicon transistor
TS251'		BFW10	4822 130 40189	Field effect transistor, selected pair
TS251''		BFW10		
TS252		BF115	4822 130 40308	Silicon transistor
TS253		BF115	4822 130 40308	Silicon transistor
TS254		FW5324	4822 130 40142	Fairchild transistor
TS258'		BFY90	4822 130 40188	Selected transistor pair
TS258''		BFY90		
TS259		BF115	4822 130 40308	Silicon transistor

*When replacing this double transistor, first see chapter XII. "Replacing parts", point C.

Item	Version	Type	Ordering number	Description
TS260		BCY70	4822 130 40324	Silicon transistor
TS261		BF173	4822 130 40326	Silicon transistor
TS262		BF173	4822 130 40326	Silicon transistor
TS263		BF173	4822 130 40326	Silicon transistor
TS264		BF173	4822 130 40326	Silicon transistor
TS266		BF115	4822 130 40308	Silicon transistor
* TS267	/04	BCY87	4822 130 40423	Silicon transistor pair
TS267	/05	2xBC109C	4822 130 40662	Selected transistor pair
TS269		BF115	4822 130 40308	Silicon transistor
TS271		BF115	4822 130 40308	Silicon transistor
TS272		FW5324	4822 130 40142	Fairchild transistor
TS273		BF115	4822 130 40308	Silicon transistor
TS275		BF115	4822 130 40308	Silicon transistor
TS276		BF115	4822 130 40308	Silicon transistor
TS277		BCY70	4822 130 40324	Silicon transistor
TS278		BF173	4822 130 40326	Silicon transistor
TS279		BF173	4822 130 40326	Silicon transistor
TS281		BF173	4822 130 30326	Silicon transistor
TS282		BF173	4822 130 40326	Silicon transistor
TS501		BFW10	4822 130 40443	Field effect transistor
TS502		BF115	4822 130 40308	Silicon transistor
TS503		BF115	4822 130 40308	Silicon transistor
TS504		BF115	4822 130 40308	Silicon transistor
TS506		BF115	4822 130 40308	Silicon transistor
TS507		BF115	4822 130 40308	Silicon transistor
TS603		FW5324	4822 130 40142	Fairchild silicon transistor
TS604		BF115	4822 130 40308	Silicon transistor
TS606		BF179	4822 130 40661	Silicon transistor
TS611		BF115	4822 130 40308	Silicon transistor
TS612		BF115	4822 130 40308	Silicon transistor
TS613		BSY39	4822 130 40125	Silicon transistor
TS614		BC109	4822 130 40144	Silicon transistor
TS616		BC107	4822 130 40184	Silicon transistor
TS617		BF115	4822 130 40308	Silicon transistor
TS618		BCY70	4822 130 40324	Silicon transistor
TS619		BF115	4822 130 40308	Silicon transistor
TS623		FW5324	4822 130 40142	Fairchild silicon transistor
TS701		BF115	4822 130 40308	Silicon transistor
TS702		BF179	4822 130 40661	Silicon transistor
TS703		BF179	4822 130 40661	Silicon transistor
TS704		BCY70	4822 130 40324	Silicon transistor
TS706		BF115	4822 130 40308	Silicon transistor
TS707		FW5435	4822 130 40186	Silicon transistor
TS708		BCY70	4822 130 40324	Silicon transistor
TS709		BF179	4822 130 40661	Silicon transistor

* When replacing this double transistor, first see chapter XII. "Replacing parts", point C.

Item	Version	Type	Ordering number	Description
TS711		BF179	4822 130 40661	Silicon transistor
TS801		ASZ18	4822 130 40282	Germanium transistor
TS802		ASZ18	4822 130 40282	Germanium transistor
TS803		V410A	4822 130 40703	Fairchild silicon transistor
TS804		FW5435	4822 130 40186	Fairchild silicon transistor
TS806		FW5435	4822 130 40186	Fairchild silicon transistor
TS807	/04	BDY11	4822 130 40136	Silicon transistor
TS807	/05	BDY20	4822 130 40449	Silicon transistor
TS808	/04	BDY11	4822 130 40136	Silicon transistor
TS808	/05	BDY20	4822 130 40449	Silicon transistor
TS809		V410A	4822 130 40703	Fairchild silicon transistor
TS811		BFY55	4822 130 40323	Silicon transistor
TS901		BF115	4822 130 40308	Silicon transistor
TS902		BF115	4822 130 40308	Silicon transistor

Selection procedure for matched pairs BFW10 (TS51' and TS51'', TS251' and TS251'').

Apply a plus 9 V voltage to the drain, via a 47 ohm resistor. Apply a minus 16 V voltage to the source, via a 5.6 kohm resistor. Earth the gate. Measure the gate source voltage.

For a pair, this should not differ more than 150 mV.

Selection procedure of transistors BFY90.

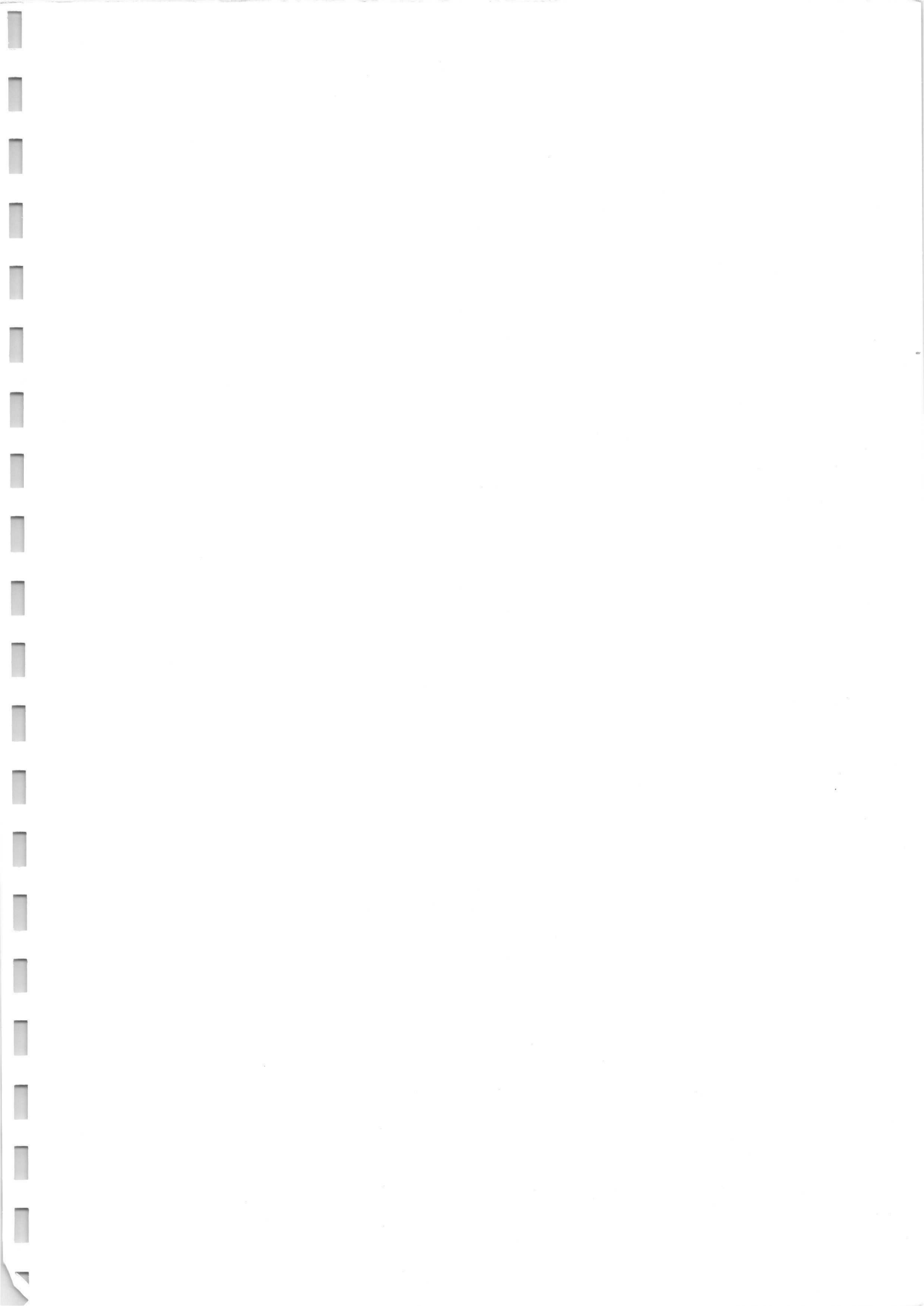
The transistors TS58' and TS58'', TS258' and TS258'' should be matched for a $V_{be} \leq 10$ mV at $I_c = 12$ mA and $V_{ce} = 5$ V.

B. MISCELLANEOUS PARTS

Item	Ordering number	Description
B401	4822 131 90021	Neon stabilizer (ZA1004)
B402	4822 131 20025	Cathode-ray tube (E10-130-GP)
LA1...LA4	4822 134 40054	Lamp
LA5	4822 134 40212	Lamp
L51...L54	4822 157 50175	Coil
L251...L254	4822 157 50175	Coil
L801	4822 158 20342	Coil
T801	4822 146 20358	Transformer
T802	4822 142 60114	Transformer
VL1	4822 253 30021	Fuse 1 A, delayed
VL1	4822 253 30025	Fuse 2 A, delayed
VL2	4822 252 20001	Thermal fuse
-	4822 216 50128	Printed wiring board of vertical amplifiers complete with components
-	4822 216 50129	Printed wiring board of time base generator and horizontal amplifier, complete with components
-	4822 216 50131	Printed wiring board of high tension unit, complete with components
-	4822 216 50132	Printed wiring board of power supply unit, complete with components

C. PARTS OF THE MEASURING PROBES PM 9326 AND PM 9327 (Fig. 16)

Item	Quantity	Ordering number	Description
a	1	4822 320 10042	Probe cable 2 meters (6.5") for PM 9327
	1	4822 321 20087	Probe cable 1.15 metres (3.8") for PM 9326
b	1	4822 321 20096	Earthing flex 15 cm (6")
c	1	4822 321 20134	Earthing flex 30 cm (12")
d	1	4822 266 20015	Measuring probe 1 : 1 (black)
e	1	4822 268 10029	Measuring pin
f	1	4822 268 10039	Measuring hook
g	1	4822 210 70044	Attenuator probe 1 : 10 (grey)
h	1	4822 264 20016	Measuring clip
	1	4822 111 20155	Resistor



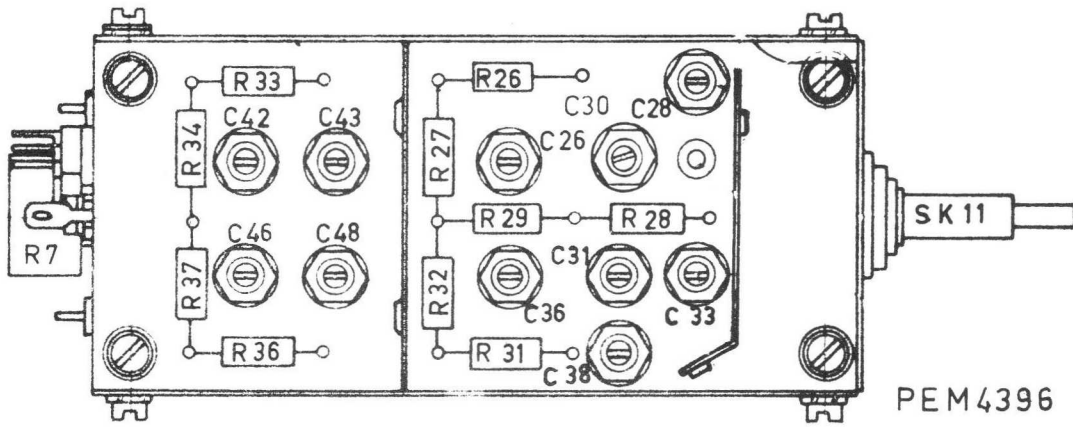


Fig. 25. Attenuator unit for channel A

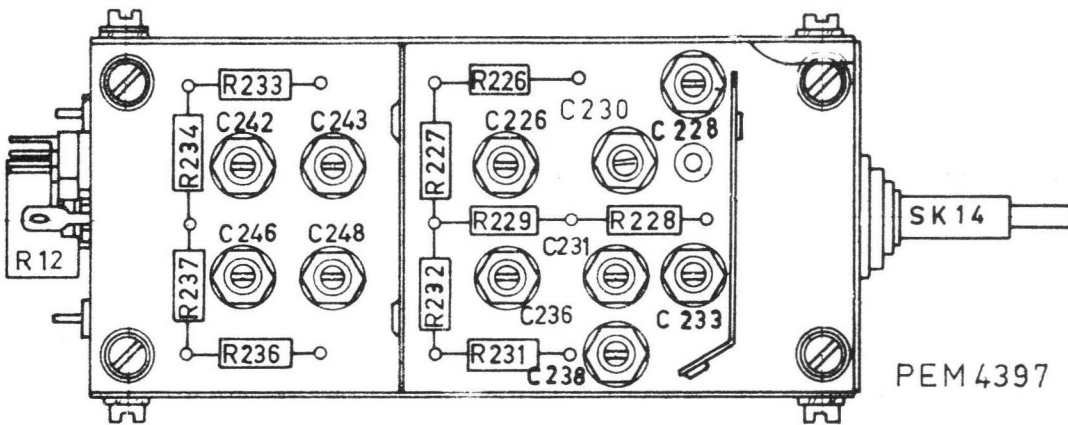
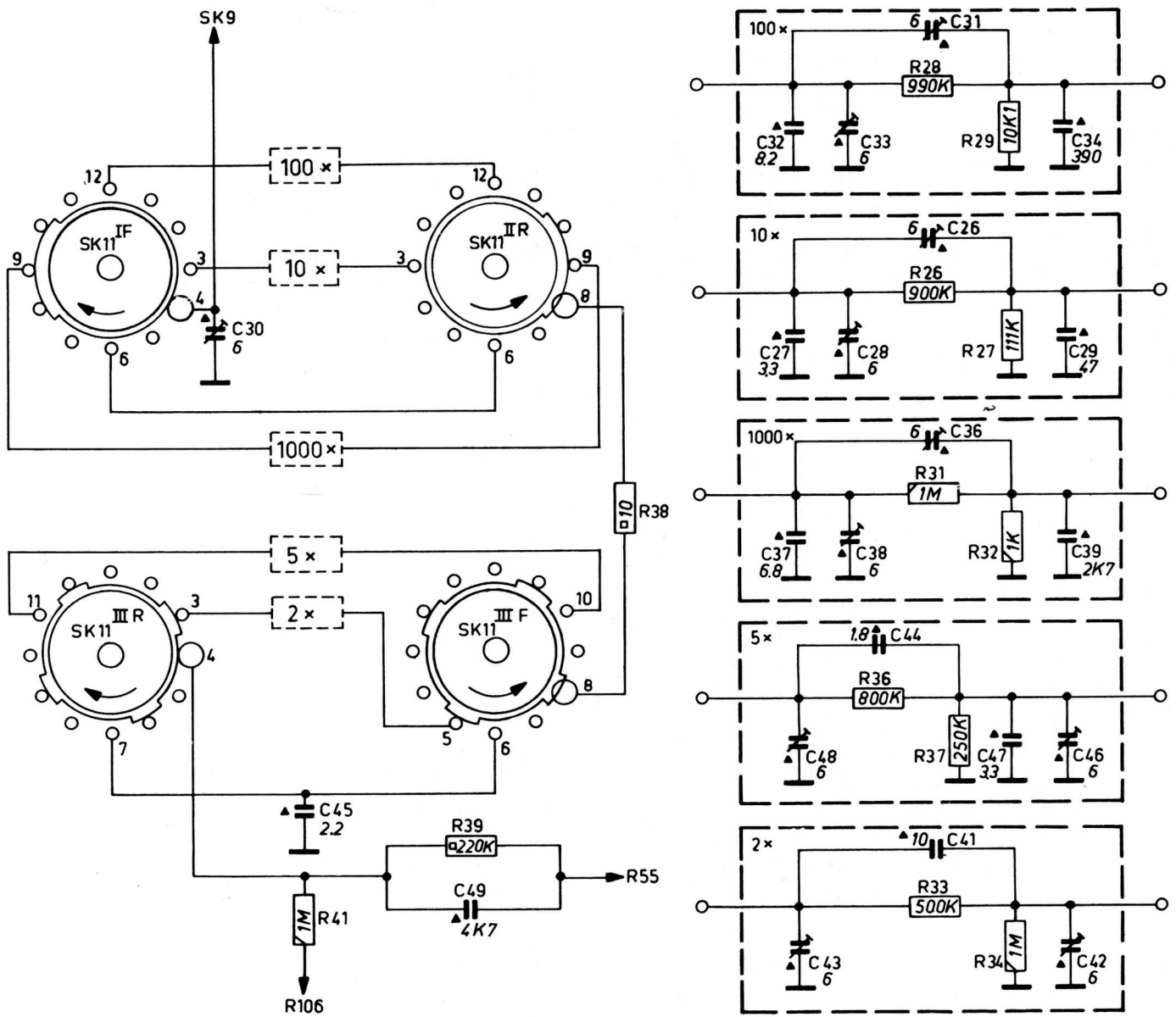
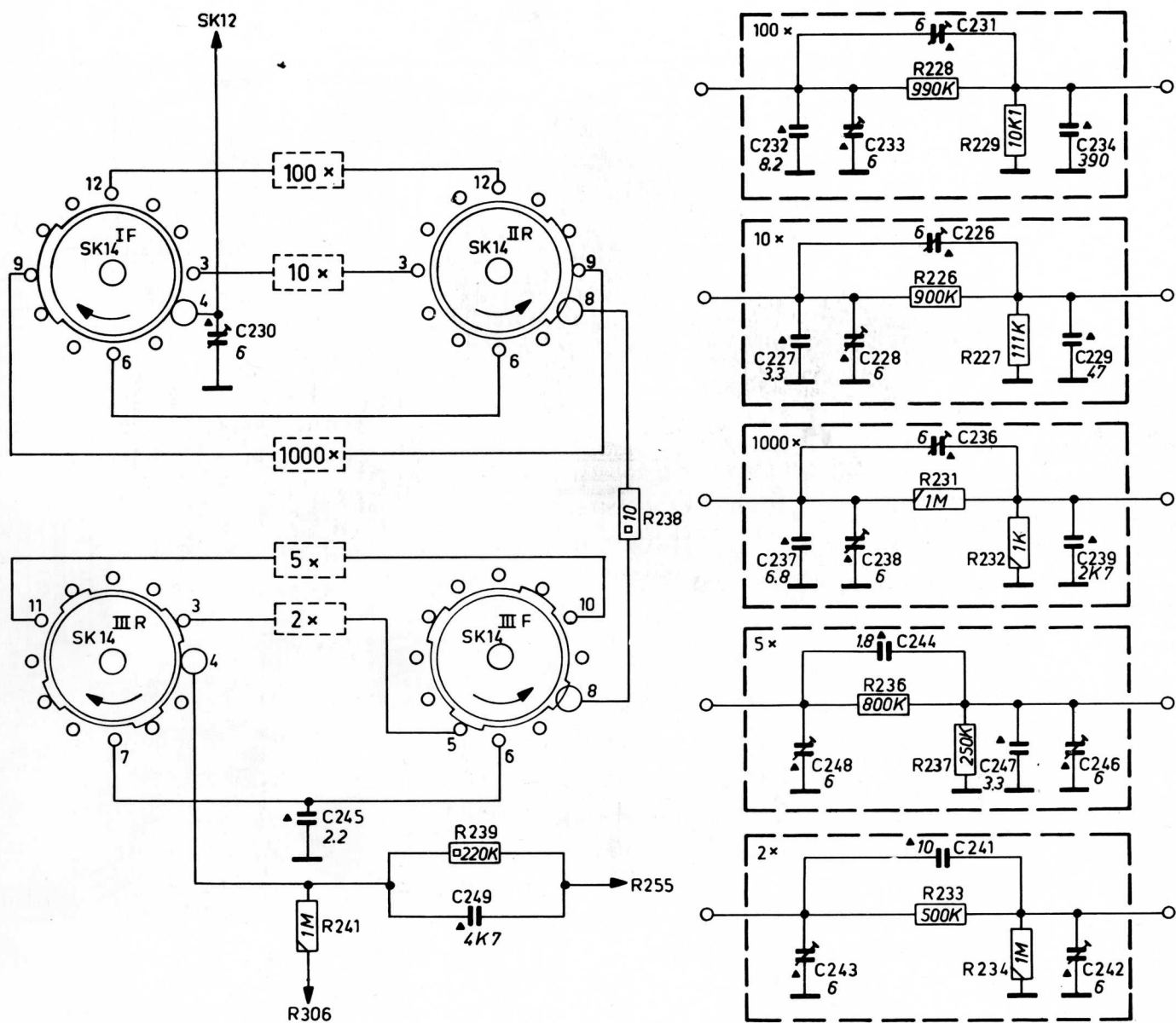


Fig. 26. Attenuator unit for channel B



PEM4391

Fig. 27. Circuit diagram of the attenuator for channel A
 Prinzipschaltbild für Kanal A
 Principeschema van verzwakker voor kanaal A
 Schéma de principe de l'atténuateur pour canal A



PEM 4390

Fig. 28. Circuit diagram of the attenuator for channel B
 Prinzipschaltbild für Kanal B
 Principeschema van verzwakker voor kanaal B
 Schéma de principe de l'atténuateur pour canal B

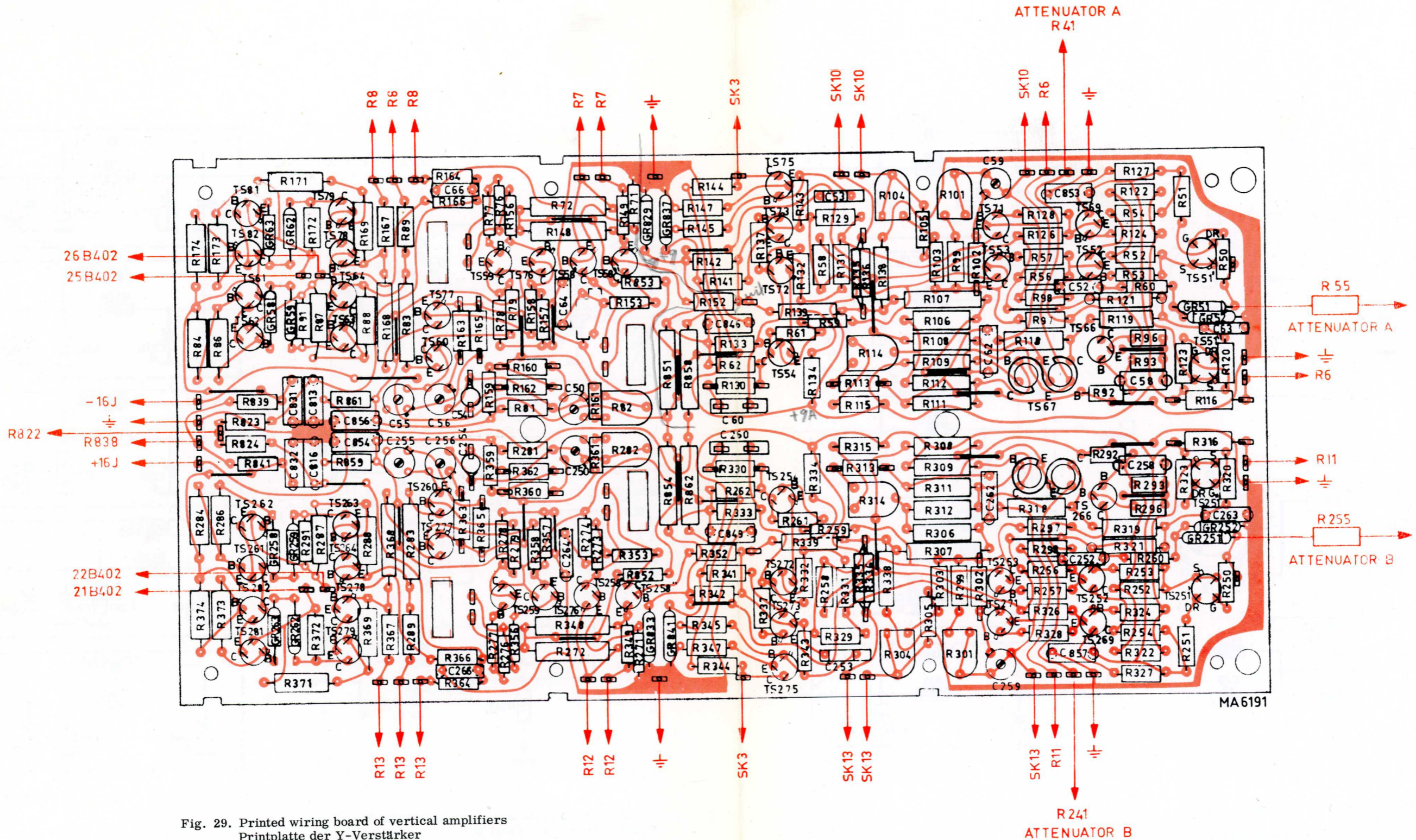


Fig. 29. Printed wiring board of vertical amplifiers
 Printplatte der Y-Verstärker
 Printplaat van vertikale versterkers
 Platine imprimée des amplifications verticaux

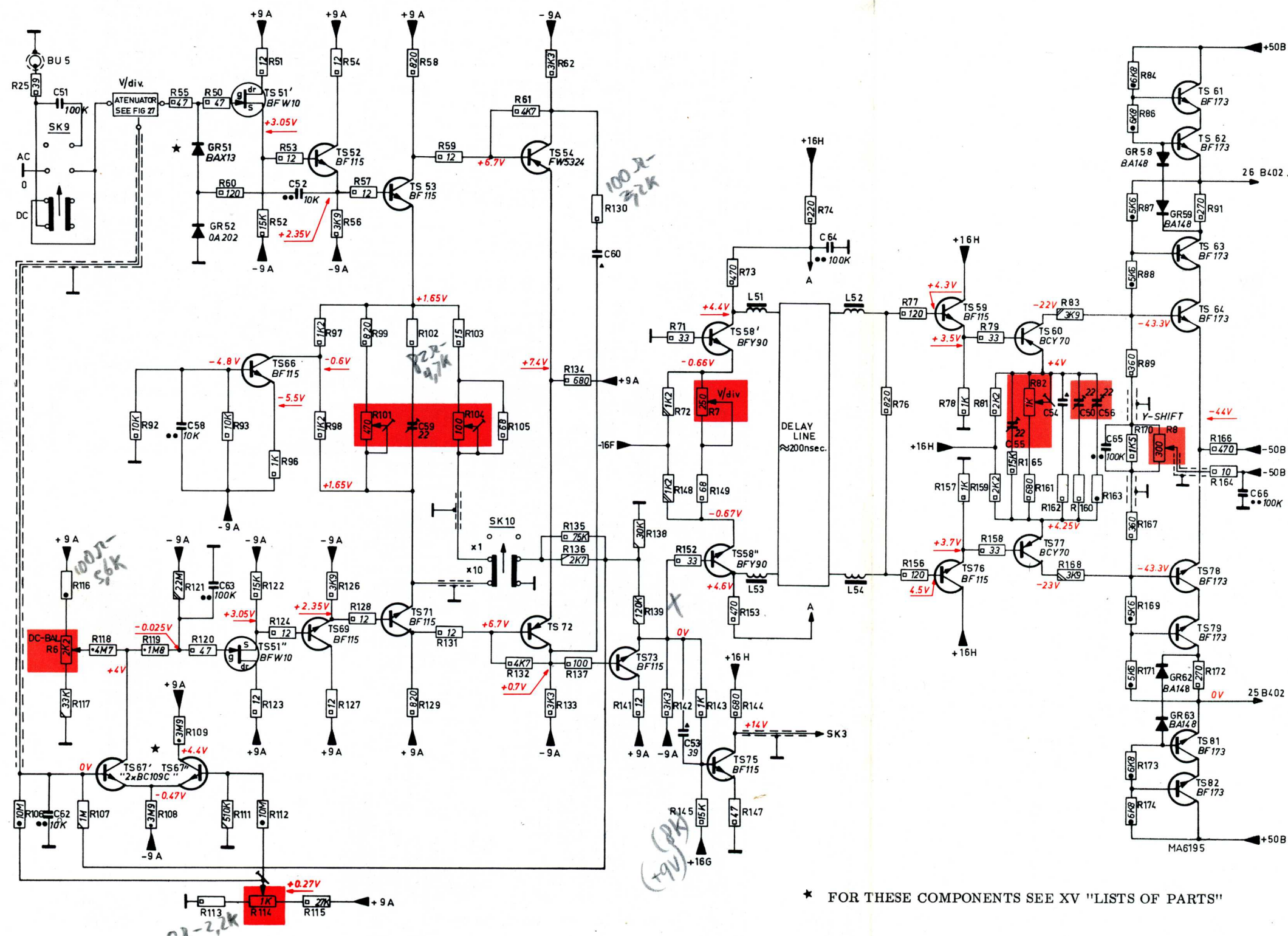


Fig. 30. Circuit diagram of vertical amplifier for channel A
 Prinzipschaltbild des Y-Verstärkers für Kanal A
 Principeschema van vertikale versterker voor kanaal A
 Schéma de principe de l'amplificateur vertical pour canal A

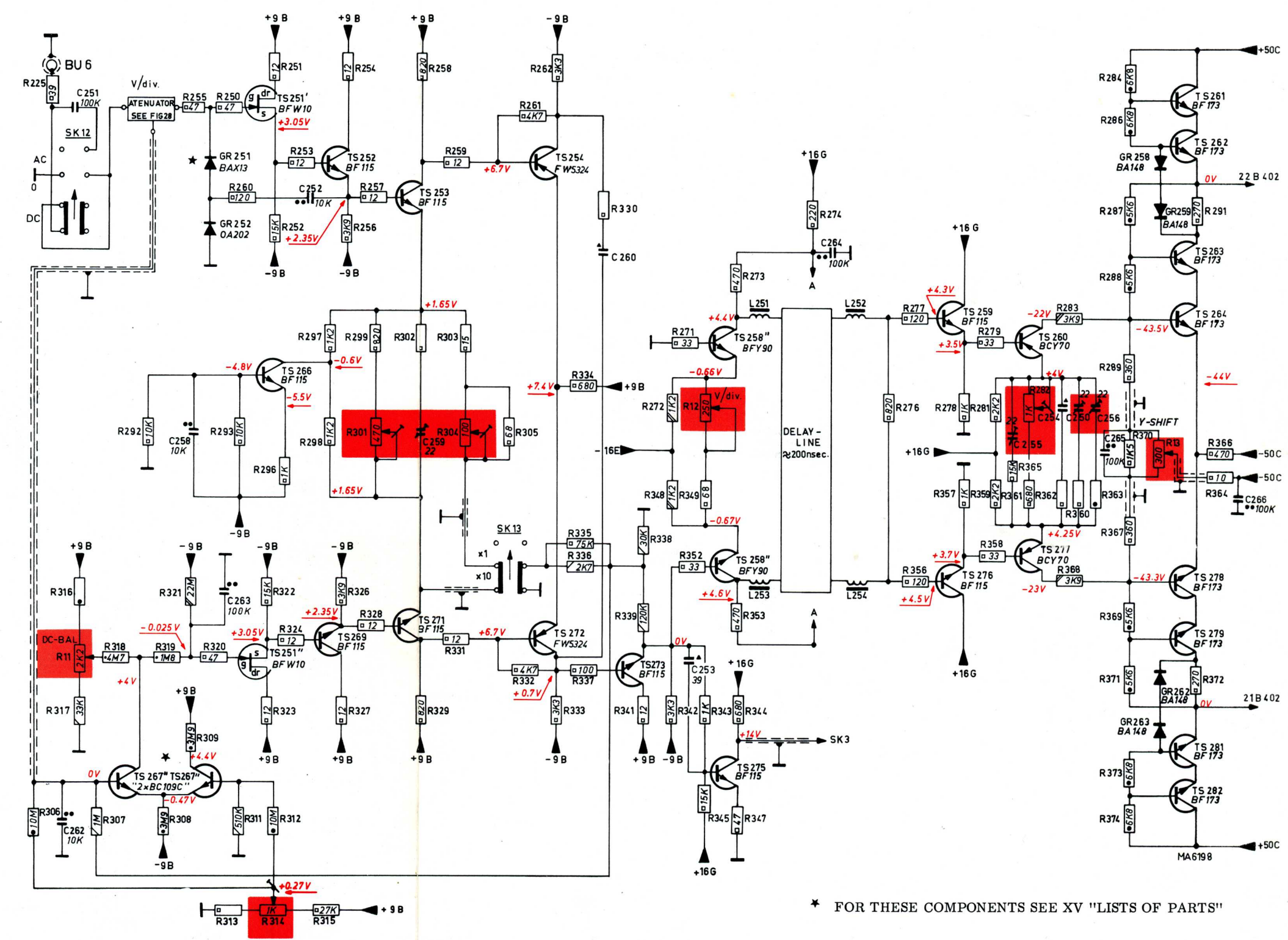


Fig. 31. Circuit diagram of vertical amplifier for channel B
 Prinzipschaltbild des Y-Verstärkers für Kanal B
 Principeschema van vertikale versterker voor kanaal B
 Schéma de principe de l'amplificateur vertical pour canal B

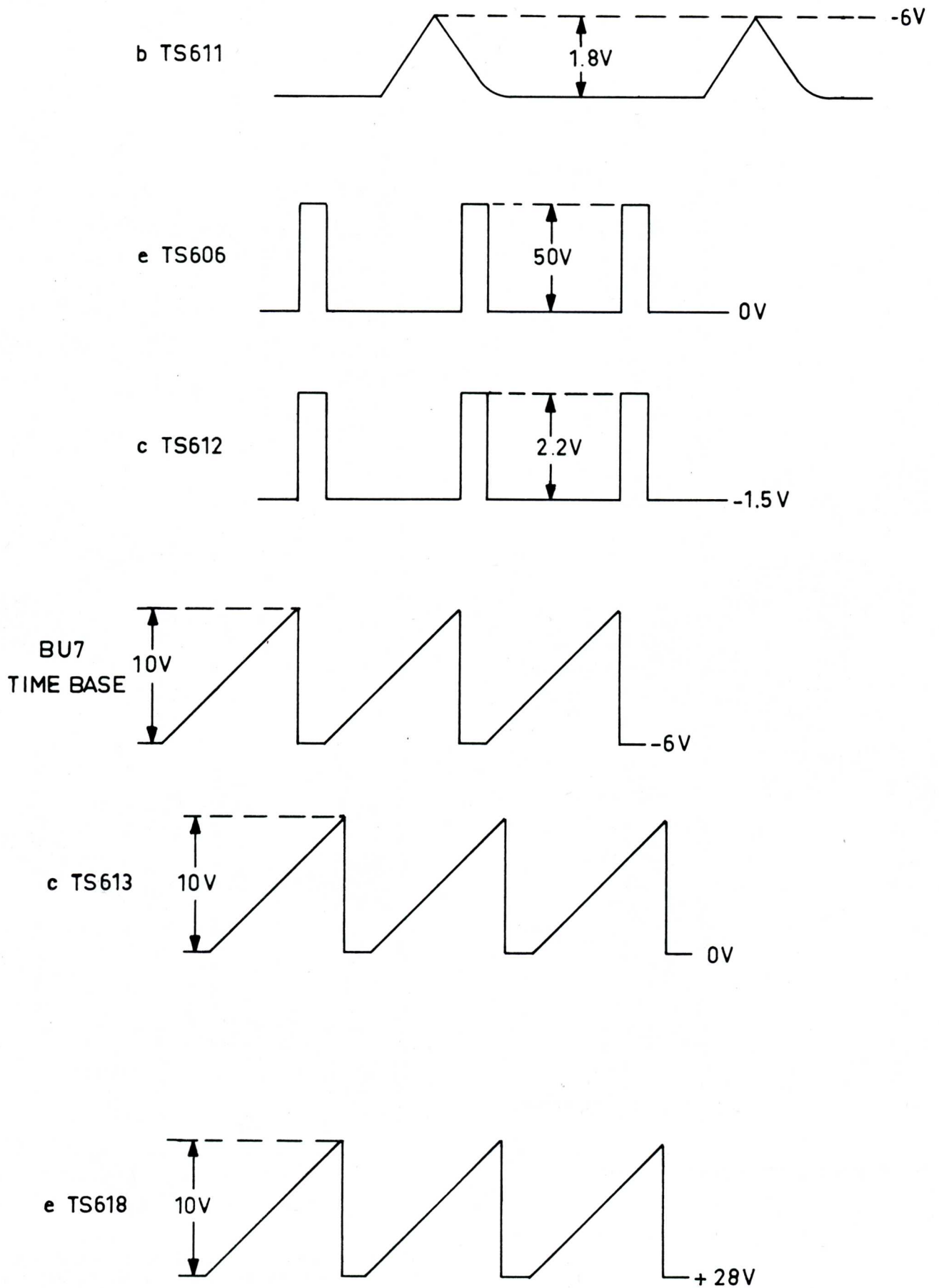


Fig. 32. Oscillograms
 Oszillogramme
 Oscillogrammen
 Oscillogrammes

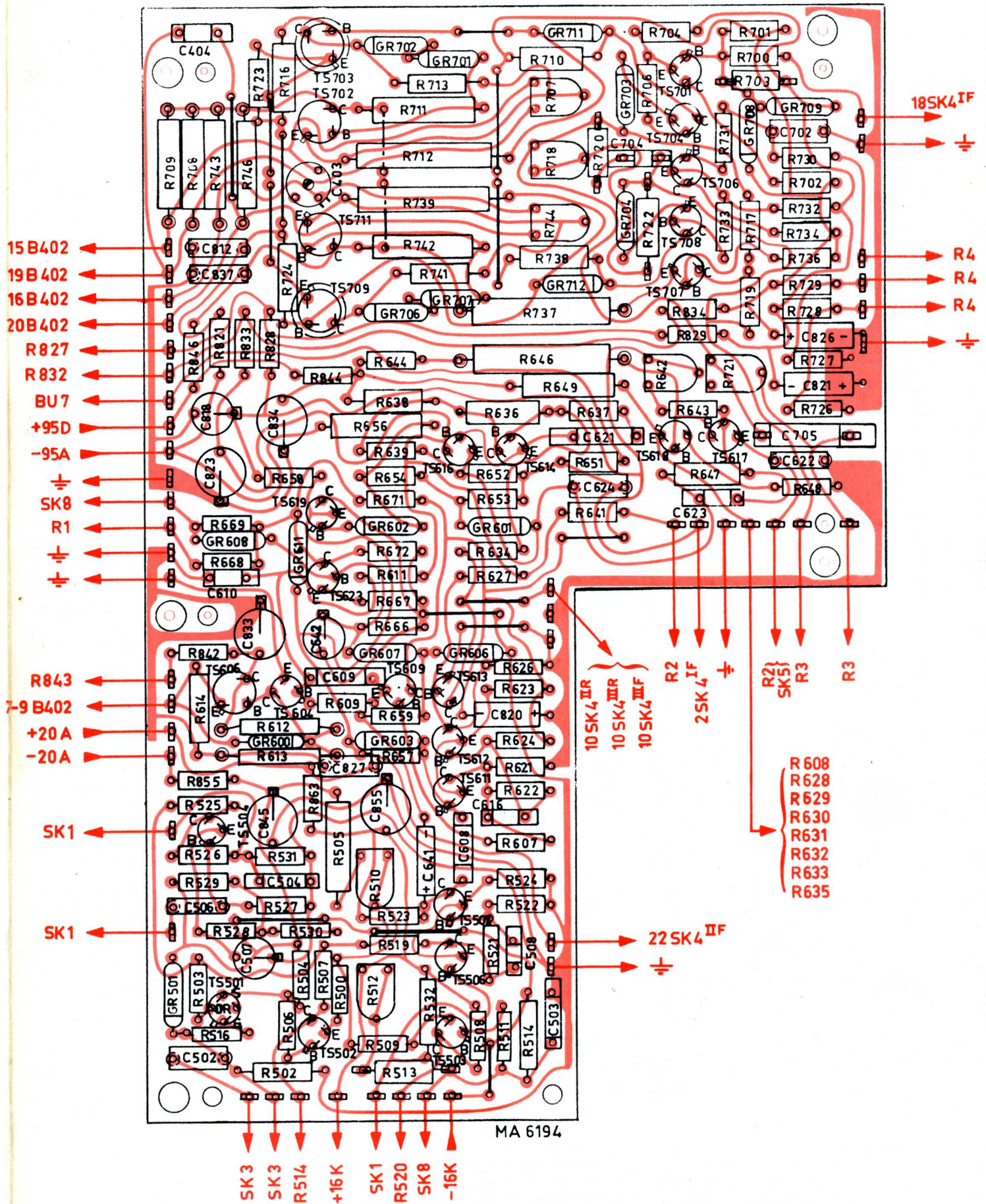
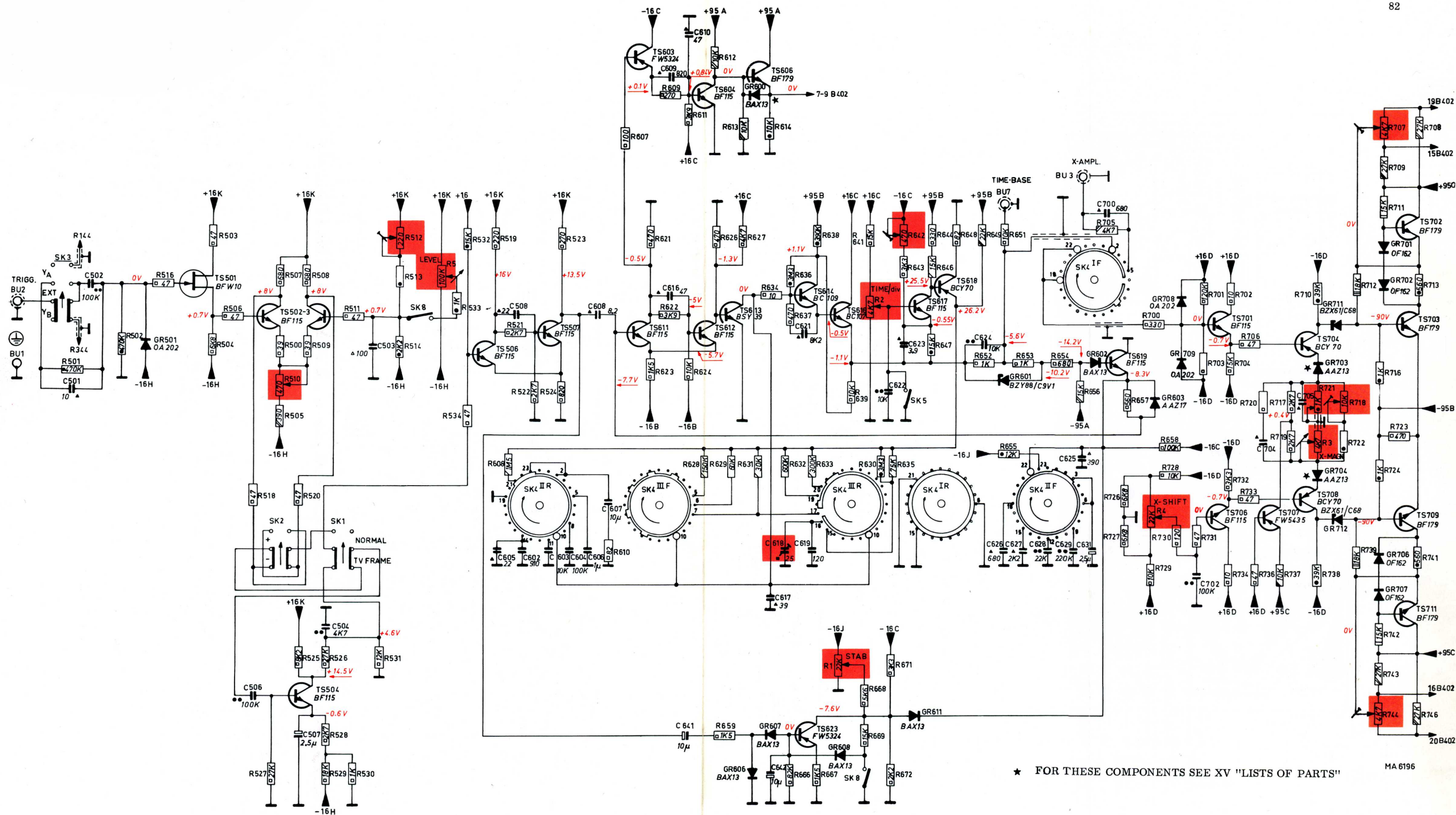


Fig. 33. Printed wiring board of time base generator and horizontal amplifier
 Printplaat van Zeitbais-generator und des X-Verstärkers
 Printplaat van tijdbasis-generator en horizontale versterker
 Platine imprimée du générateur de base de temps et de l'amplificateur horizontal



★ FOR THESE COMPONENTS SEE XV "LISTS OF PARTS"

MA 6196

Fig. 34. Circuit diagram of time base generator and horizontal amplifier
Prinzipialbild des Zeitbaisengenerators und des X-Verstärkers
Principeschema van tijdbasis-generator en horizontale versterker
Schéma de principe du générateur de base de temps et de l'amplificateur horizontal

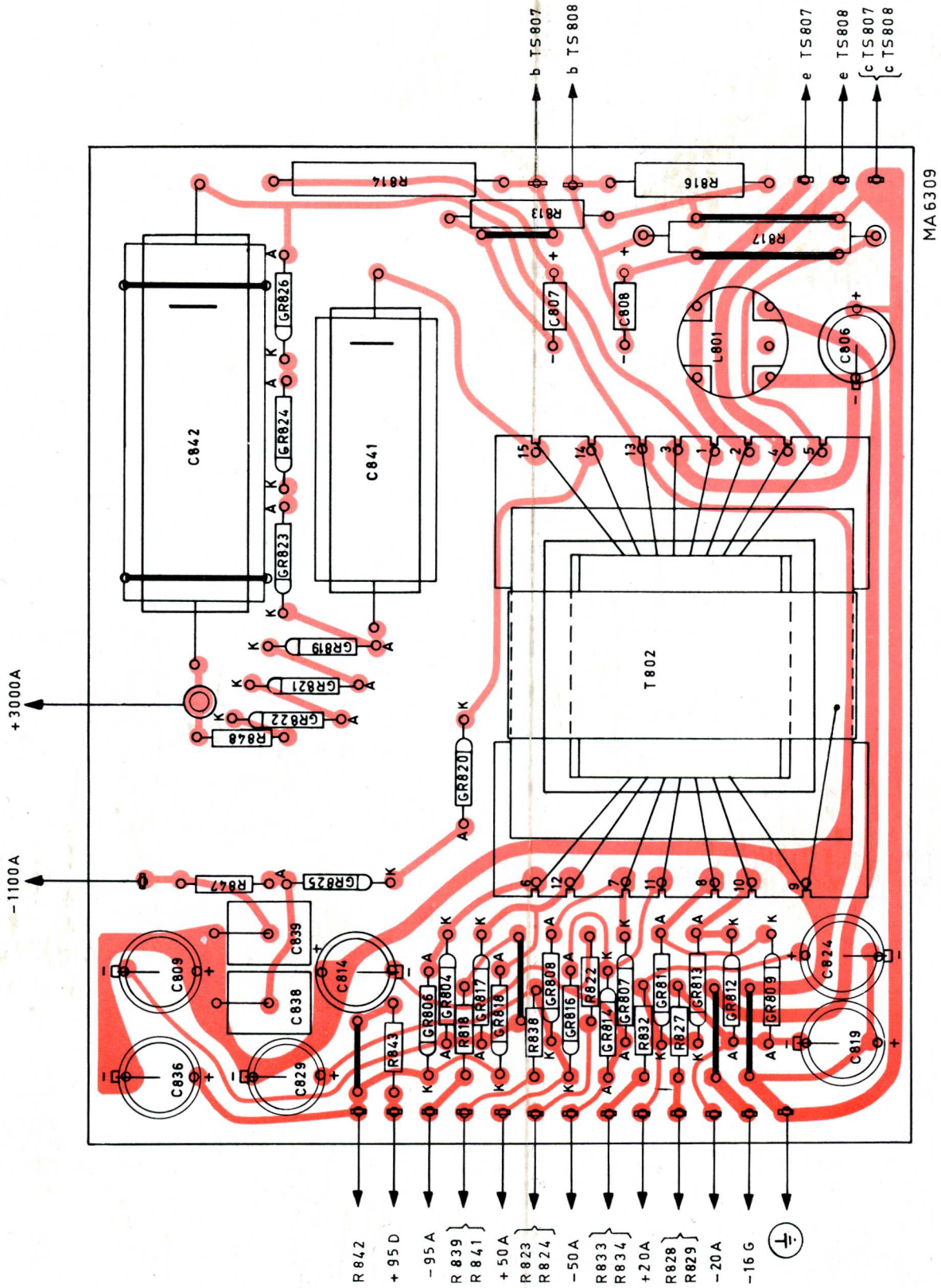


Fig. 35. Printed wiring board of H. T. unit
 Printplatte der HS-Einheit
 Printplaat van hoogspanningsunit
 Platine imprimée de l'unité de haute tension

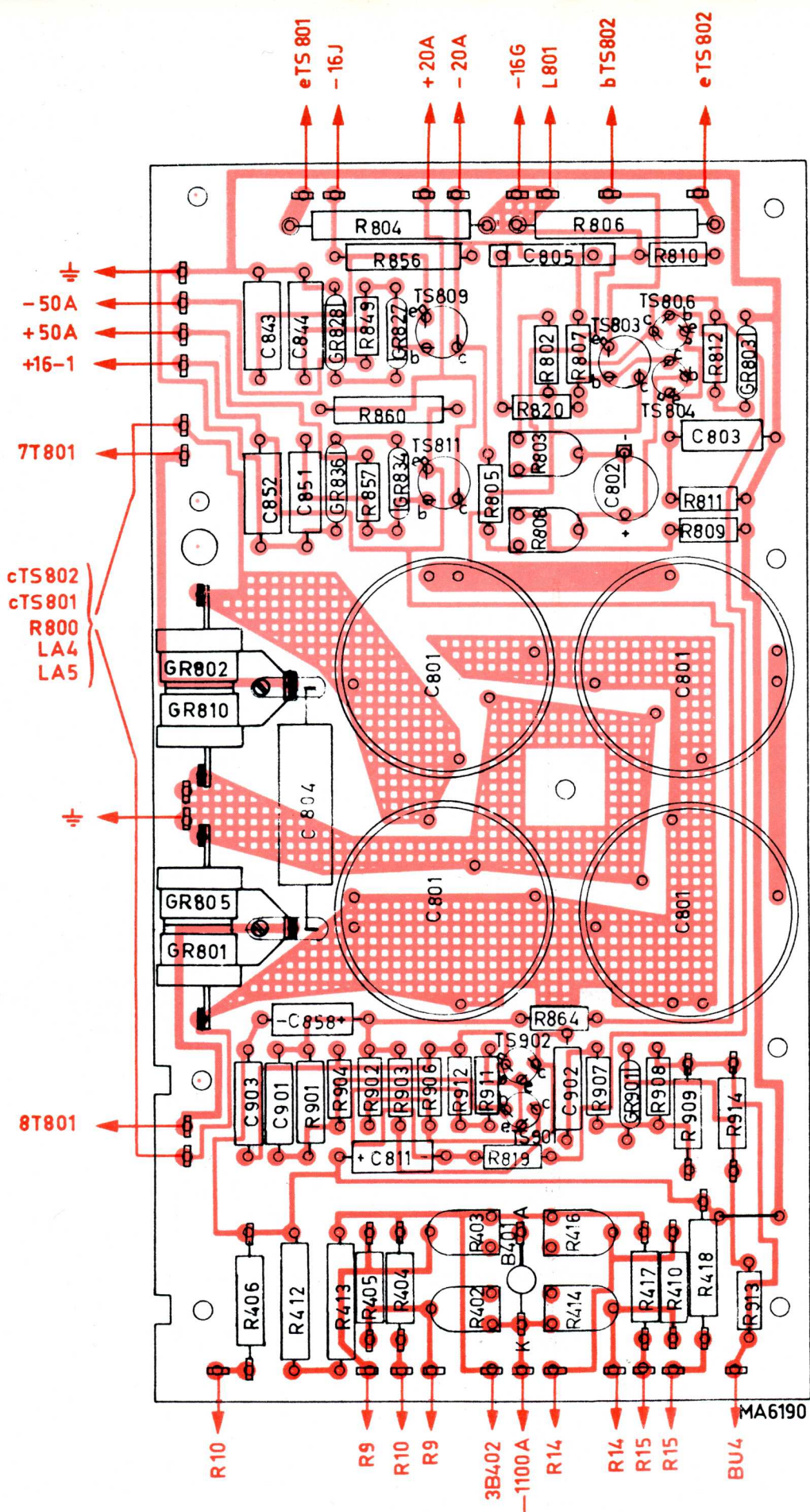
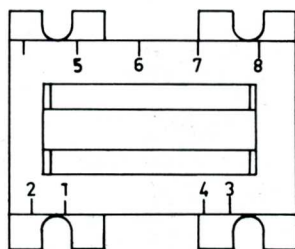
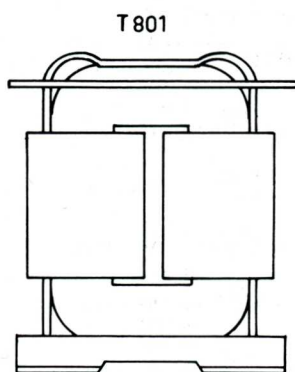


Fig. 36. Printed wiring board of supply unit
 Printplatte der Speiseeinheit
 Printplaat van voedingsunit
 Platine imprimée de l'unité d'alimentation

T801				
Coil	S1	S2	S3	S4
Volts	110	110	223	6.3
Turns	530	530	108	33

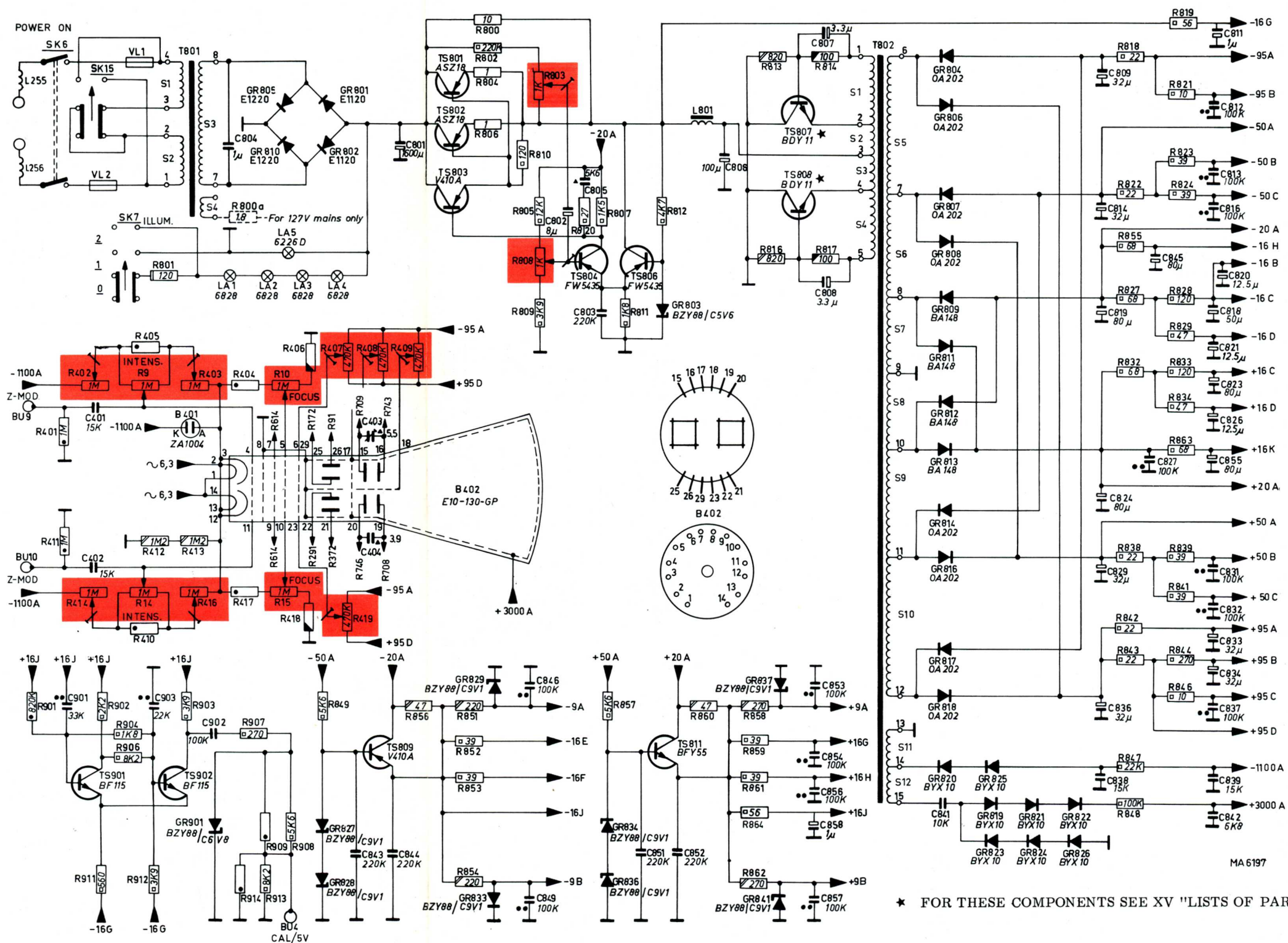
MA6314



MA5087

T802												
Coil	S1	S2	S3	S4	S5	S6	S7	S8	S9	S10	S11	S12
Turns	2x2	2x5	2x5	2x2	15	11	7	7	11	15	380	140

MA6313



* FOR THESE COMPONENTS SEE XV "LISTS OF PART

Fig. 37. Circuit diagram of H. T. unit and supply unit
 Prinzipschaltbild von HS- und Speiseeinheit
 Principeschema van hoogspanningsunit, voedingsunit en ESB-unit
 Schéma de principe de l'unité de haute tension et de l'alimentation

QUALITY REPORTING

CODING SYSTEM FOR FAILURE DESCRIPTION

The following information is meant for Philips service workshops only and serves as a guide for exact reporting of service repairs and maintenance routines on the workshop charts.

For full details reference is made to Information G1 (Introduction) and Information Cd 689 (Specific information for Test and Measuring Instruments).

LOCATION

Unit number

e.g. 000A or 0001 (for unit A or 1; not 00UA or 00U1)

or: Type number of an accessory (only if delivered with the equipment)

e.g. 9051 or 9532 (for PM 9051 or PM 9532)

or: Unknown/Not applicable
0000

CATEGORY

- 0 Unknown, not applicable (fault not present, intermittent or disappeared)
- 1 Software error
- 2 Readjustment
- 3 Electrical repair (wiring, solder joint, etc.)
- 4 Mechanical repair (polishing, filing, remachining, etc.)
- 5 Replacement
- 6 Cleaning and/or lubrication
- 7 Operator error
- 8 Missing items (on pre-sale test)
- 9 Environmental requirements are not met

COMPONENT/SEQUENCE NUMBER

Enter the identification as used in the circuit diagram, e.g.:

GR1003	Diode GR1003
TS0023	Transistor TS23
IC0101	Integrated circuit IC101
R0....	Resistor, potentiometer
C0....	Capacitor, variable capacitor
B0....	Tube, valve
LA....	Lamp
VL...	Fuse
SK....	Switch
BU....	Connector, socket, terminal
T0....	Transformer
L0....	Coil
X0....	Crystal
CB....	Circuit block
RE....	Relay
ME....	Meter, indicator
BA....	Battery
TR....	Chopper

Parts not identified in the circuit diagram:

990000	Unknown/Not applicable
990001	Cabinet or rack (text plate, emblem, grip, rail, graticule, etc.)
990002	Knob (incl. dial knob, cap, etc.)
990003	Probe (only if attached to instrument)
990004	Leads and associated plugs
990005	Holder (valve, transistor, fuse, board, etc.)
990006	Complete unit (p.w. board, h.t. unit, etc.)
990007	Accessory (only those without type number)
990008	Documentation (manual, supplement, etc.)
990009	Foreign object
990099	Miscellaneous

Sales and service all over the world

- Argentina:** Philips Argentina S.A., Casilla Correo 3479, Buenos Aires; tel. T.E. 70, 7741 al 7749
- Australia:** Philips Electrical Pty Ltd., Philips House, 69-79 Clarence Street, Box 2703 G.P.O., Sydney; tel. 2.0223
- België/Belgique:** M.B.L.E., Philips Bedrijfsapparatuur, 80 Rue des Deux Gares, Bruxelles; tel. 230000
- Bolivia:** Philips Sudamericana, Casilla 1609, La Paz; tel. 5270-5664
- Brasil:** Messrs. Inbelsa, Rua Amador Bueno 474, Caixa Postal 3159, Sao Paulo; tel. 93-9191
- Burma:** U. Thoung Tin, 36, Barr Street, Rangoon
- Burundi:** Philips S.A.R.L., Avenue de Grèce, B.P. 900, Bujumbura
- Canada:** Philips Electronic Industries Ltd., Electronic Equipment Division, Philips House, 116 Vanderhoof Avenue, Toronto 17, (Ontario); tel. 425-5161
- Chile:** Philips Chilena S.A., Casilla 2687, Santiago de Chile; tel. 35081
- Colombia:** Philips Colombiana S.A., Communications Department, Apartado Nacional 1505, Bogota; tel. 473-640
- Congo:** Philips Congo S.C.R.L., 137, Boulevard du 30 Juin, B.P. 1798, Kinshasa
- Costa Rica:** Philips de Costa Rica Ltd., Apartado Postal 4325, San José; tel. 5670
- Danmark:** Philips A.S., Prags Boulevard 80, København; tel. Asta 2222
- Deutschland (Bundesrepublik):** Philips Elektronik Industrie GmbH, Röntgenstrasse 22, Postfach 630111, 2 Hamburg 63; tel. 501031
- Ecuador:** Philips Ecuador S.A., Casilla 343, Quito; tel. 30064
- Eire:** Philips Electrical (Ireland) Ltd., Newstead, Clonskeagh, Dublin 14; tel. 976611
- El Salvador:** Philips de El Salvador, Apartado Postal 865, San Salvador; tel. 7441
- España:** Philips Ibérica S.A.E., Avenida de America, Apartado 2065, Madrid 17; tel. 246 22 00
- Ethiopia:** Philips Ethiopia (Priv. Ltd. Co.), P.O.B. 659, Cunningham Street, Addis Abeba; tel. 13440
- France:** Philips Industrie S.A., 105 Rue de Paris, 93 Bobigny (Seine); tel. 845 28-55, 845 27-09

- Ghana:** Philips (Ghana) Ltd., P.O.B. M 14, Accra
- Great Britain:** Pye Unicam Ltd., York Street, Cambridge; tel. (0223)58866
- Guatemala:** Philips de Guatemala S.A., Apartado Postal 238, Guatemala City; tel. 20607-08-09
- Hellas:** Philips S.A. Hellénique, B.P. 153, Athens; tel. 230476
- Hong Kong:** Philips Hong Kong Ltd., P.O.B. 2108, Rooms 1006/1008 Prince's Building, Hong Kong; tel. H-249246
- India:** Philips India Ltd., Shivsagar Estate, Block "A", Dr. Annie Besant Road, P.O.B. 6598, Worli, Bombay 18; tel. 370071
- Indonesia:** P.T. Philips Development Corporation, Djalan Pegangsaan Timur 33, P.O.B. 2287, Djakarta
- Iran:** Philips Iran Ltd., P.O.B. 1297, Teheran; tel. 48344-68344
- Island:** Heimilistaeki SF, Saetún 8, Reykjavik; tel. 24000
- Islas Canarias:** Philips Ibérica S.A.E., Triana 132, Las Palmas; Casilla 39-41, Santa Cruz de Tenerife
- Italia:** Philips S.p.A., Casella Postale 3992, Milano; tel. 69.94
- Kenya:** Philips (Kenya) Ltd., P.O.B. 9970, Nairobi; tel. 26204/5
- Malaysia:** Philips Malaya Sdn Berhad, P.O.B. 2163, Kuala Lumpur
- Mexico:** Philips Comercial S.A. de C.V., Uruapan 7, Apdo 24-328, Mexico 7 D.F.; tel. 25-15-40
- Nederland:** Philips Nederland N.V., Boschdijk VB, Eindhoven; tel. 43-33-33
- Ned. Antillen:** N.V. Philips Antillana, Postbus 523, Willemstad; tel. Curaçao 36222-35464
- New Zealand:** Philips Electrical Industries (N.Z.) Ltd., Professional and Industrial Division, 70-72 Kingsford Smith Street, P.O.B. 2097, Lyall Bay, Wellington; tel. 73-156
- Nigeria:** Philips (Nigeria) Ltd., Philips House, 6, Ijora Causeway, P.O.B. 1921, Lagos; tel. 56051/2
- Nippon:** Philips Products Sales Corporation of Japan, P.O.B. 13, Trade Center, Tokyo 105; tel. (03)435-5211
- Norge:** Norsk A.S. Philips, Postboks 5040, Oslo; tel. 463890
- Österreich:** Oesterreichische Philips Industrie GmbH, Abteilung Industrie Elektronik, Triesterstrasse 64, A-1101 Wien; tel. (0222)645511/31
- Pakistan:** Philips Electrical Co. of Pakistan Ltd., Bunder Road, P.O.B. 7101, Karachi; tel. 70071
- Paraguay:** Philips del Paraguay S.A., Casilla de Correo 605, Asuncion; tel. 8045-5536-6666
- Perú:** Philips Peruana S.A., Apartado Postal 1841, Lima; tel. 34620-40265
- Philippines:** Electronic Development & Application Center, 2246 Pasong Tamo Street, P.O.B. 911, Makati Commercial Center, Makati Rizal D-708
- Portugal:** Philips Portuguesa S.A.R.L., Rua Joaquim Antonio d'Aquiar 66, Lisboa; tel. 683121/9
- Rwanda:** Philips Rwanda S.A.R.L., B.P. 449, Kigali
- Schweiz-Suisse-Svizzera:** Philips A.G., Binzstrasse 38, Postfach, 8027 Zürich; tel. 051-44 22 11
- Singapore:** Philips Singapore Ltd., 8th Floor, International Bld, 360 Orchard Road, P.O.B. 1358, Singapore; tel. 362211
- South Africa:** South African Philips (Pty) Ltd., P.O.B. 7703, 2, Herb Street, New Doornfontein, Johannesburg; tel. 24-0531
- Suomi:** Oy Philips Ab, Postboks 10255, Helsinki 10; tel. 10915
- Sverige:** Svenska A.B. Philips, Fack, Lidingövägen 50, Stockholm 27; tel. 08/635000
- Taiwan:** Yung Kang Trading Co. Ltd., 6 Nan King East Road, 1 Section, P.O.B. 1467, Taipei; tel. 543540-553528
- Tanzania:** Philips (Tanzania) Ltd., p/a P.O.B. 9970, Nairobi, Kenya
- Thailand:** Philips Thailand Ltd., 283, Silom Road, Bangkok; tel. 36985-8
- Türkiye:** Türk Philips Ticaret A.S., Post Kutusu 504, Istanbul; tel. 447486
- Uruguay:** Philips de Uruguay, Avda Uruguay 1287, Montevideo; tel. 956 41-2-3-4
- U.S.A.:** Philips Electronic Instruments, 750 South Fulton Ave., Mount Vernon, N.Y. 10550; tel. (914) 664-4500
- Venezuela:** C.A. Philips Venezolana, Apartado Postal 1167, Caracas; tel. 72 01 51
- Zambia:** Philips Electrical Ltd., Professional Equipment Division, P.O.B. 553, Kitwe; tel. 2526/7/8

