

ELECTRON TUBE TYPE

8469

The 8469 is a two electrode gas filled cold cathode tube primarily for use in voltage regulator applications operating in the corona mode.

Maximum Ratings, Absolute Values

Maximum dc Cathode Current - peak pulse	400	μa
Minimum dc Cathode Current	5	μa
Ambient Temperature Limits and/or Bulb Temperature Limits	-55°C to 125°C	°C

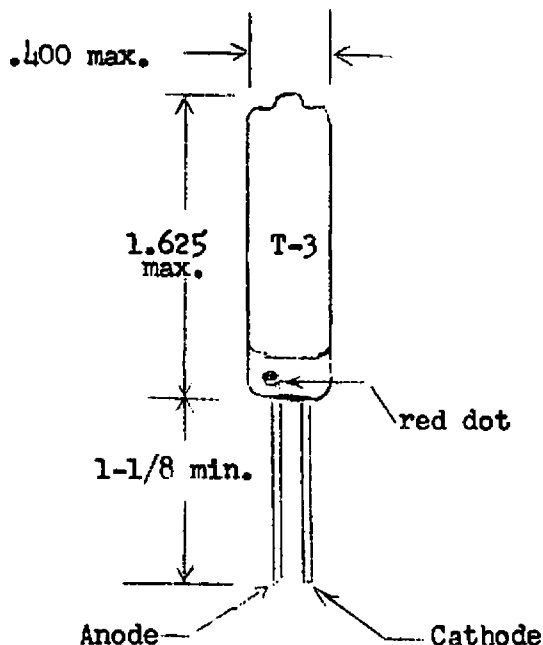
Electrical Data Throughout Life

	<u>Min.</u>	<u>Bogey</u>	<u>Max.</u>	
Anode Voltage Drop at 50μa	390	400	410	Volts
Anode Breakdown Voltage (1) in Darkness			440	Volts
(2) in Light			440	Volts
Regulation 5 to 300μa			20	Volts
Temperature Coefficient of Voltage Drop (Note 3) -55°C to +125°C Ambient		50		mV/°C
Repeatability Notes 1 & 2			5	Volts

Mechanical Data

Mounting Position	any
Net Weight, Maximum	.5 oz.

Outline



Basing

Two Flying leads. Anode marked by red dot.

- Note 1: Tube operated at 50μa of current at 25°C ambient temperature.
- Note 2: Maximum change of Tube Voltage Drop, as measured before and after a seven-day non-operating hold period.
- Note 3: Tube operated at 50μa.