

AMPEREX TUBE TYPE 7237

The 7237 is a forced air-cooled triode designed for use in industrial RF generators and communication transmitters. The 7237 features an exclusive specially processed grid which makes possible its high grid current rating and overload characteristics. This is particularly desirable in heavy-duty, industrial applications.

The filament is thoriated tungsten. Maximum ratings apply up to 30 megacycles. Typical conditions for Class C industrial oscillator operation at 50 megacycles is presented herein.

GENERAL CHARACTERISTICS

ELECTRICAL

Filament Voltage	12.6 volts
Filament Current	33 amps
Amplification Factor ($I_b = 1$ amp; $E_b = 6000$ volts)	32
Transconductance ($I_b = 1$ amp; $E_b = 6000$ volts)	15,000 micromhos
Direct Interelectrode Capacitances	
Grid to Plate	11 $\mu\mu\text{f}$
Grid to Filament	16 $\mu\mu\text{f}$
Plate to Filament	0.3 $\mu\mu\text{f}$

MECHANICAL

Mounting Position	vertical, anode up or down
Max. Temperature of Filament Seals	210°C
Max. Temperature of Grid & Anode Seals	180°C
Cooling	forced-air

COOLING CHARACTERISTICS

Plate Dissipation (kilowatts)	Altitude (feet)	Inlet Air Temperature (°C)	Min. Air Flow (cu. ft./minute)	Inlet Air Pressure (inlet water)
2	0	35	75	0.26
	0	45	90	0.35
	5000	35	90	0.33
	10000	25	97	0.33
4	0	35	230	1.75
	0	45	270	2.30
	5000	35	270	2.20
	10000	25	310	2.90
6	0	35	301	2.80
	0	45	350	3.65
	5000	35	367	3.65
	10000	25	385	4.40

ACCESSORIES

Filament Connector	Amperex No. S-3707
Filament Center Pin Connector ¹	Amperex No. S-21000
Grid Connector (for use up to 30 mc)	Amperex No. S-17288
Grid Connector (for use above 30 mc)	Amperex No. S-3706
Net Weight (approx.)	7 lbs.

¹The filament center tap pin (0.413 dia.) must not be used for filament current supply. The filament center pin connector (S-21000) must, however, be used for cooling of this pin.

MAXIMUM RATINGS AND TYPICAL OPERATING CONDITIONS

A.F. Power Amplifier & Modulator Class B

Maximum Ratings, Absolute Values (per tube)

	<u>CCS</u>
D.C. Plate Voltage	7.2 KV
D.C. Plate Current	2.2 amps
Plate Input	14 KW
Plate Dissipation	6 KW
Grid Resistor	15,000 ohms

Typical Operation (two tubes)

	<u>CCS</u>	<u>CCS</u>	<u>CCS</u>	<u>CCS</u>	
D.C. Plate Voltage	7000	5000	5000	4000	volts
D.C. Grid Voltage	-210	-145	-145	-120	volts
Peak AF Grid to Grid Voltage	1220	840	690	900	volts
Zero Signal D.C. Plate Current	2x0.2	2x0.15	2x0.15	2x0.1	amps
Max. Signal D.C. Plate Current	2x2	2x1.25	2x1.1	2x1.25	amps
Effective Load Resistance, Plate to Plate	4150	4800	5500	3800	ohms
Max. Signal Drive Power (approx.)	2x310	2x130	2x65	2x140	watts
Max. Signal Power Output (approx.)	20	9	8	7.1	KW

Plate Modulated R.F. Power Amplifier Class C - Telephony

Carrier conditions per tube with a maximum modulation factor of 1.0

Maximum Ratings, Absolute Values (per tube)

	<u>CCS</u>
Frequency	30 Mc.
D.C. Plate Voltage	5.5 KV
D.C. Grid Voltage	1250 volts
D.C. Plate Current	1.8 amps
D.C. Grid Current	0.6 amps
Plate Input	9 KW
Plate Dissipation	4 KW

Typical Operation

	<u>CCS</u>	<u>CCS</u>	<u>CCS</u>	
D.C. Plate Voltage	5	5	4	KV
D.C. Grid Voltage ²	-400	-400	-300	volts
Peak RF Grid Voltage	800	730	680	volts
D.C. Plate Current	1.6	1.4	1.6	amps
D.C. Grid Current	0.6	0.5	0.6	amps
Driving Power	432	328	367	watts
Power Output	6.4	5.6	5.0	KW

² Grid bias partially obtained by the grid resistor.

R. F. Power Amplifier & Oscillator
Class C - Telegraphy

7237

Maximum Ratings, Absolute Values (per tube)

	CCS
Frequency	30 Mc.
D.C. Plate Voltage	7.2 KV
D.C. Grid Voltage	-1250 volts
D.C. Plate Current	2.2 amps
D.C. Grid Current	0.6 amp
Plate Input	14 KW
Plate Dissipation	6 KW

Typical Operation

	CCS	CCS	CCS	CCS	CCS	CCS
D.C. Plate Voltage	6.5	6.5	6.0	6.0	5.0	5.0 KV
D.C. Grid Voltage	-450	-450	-400	-400	-300	-300 volts
Peak RF Grid Voltage	850	820	820	780	700	660 volts
D.C. Plate Current	2.0	2.0	2.0	2.0	2.0	2.0 amps
D.C. Grid Current	0.6	0.5	0.6	0.5	0.6	0.5 amp
Driving Power	460	370	443	350	378	297 watts
Power Output	10	9.5	9.2	8.5	7.3	7.1 KW

Class C Oscillator

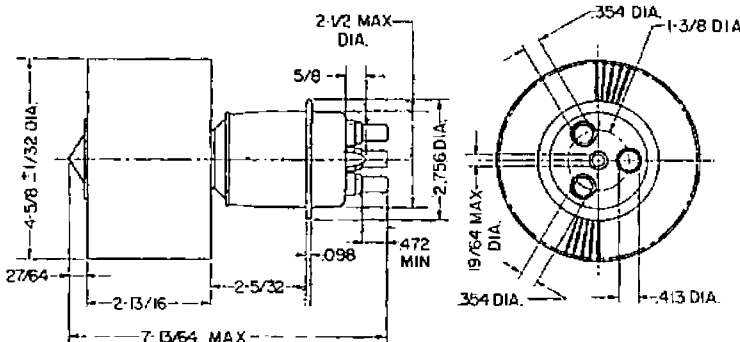
Rectified, Unfiltered, Three-Phase, Half-Wave Plate Supply

Maximum Ratings, Absolute Values (per tube)

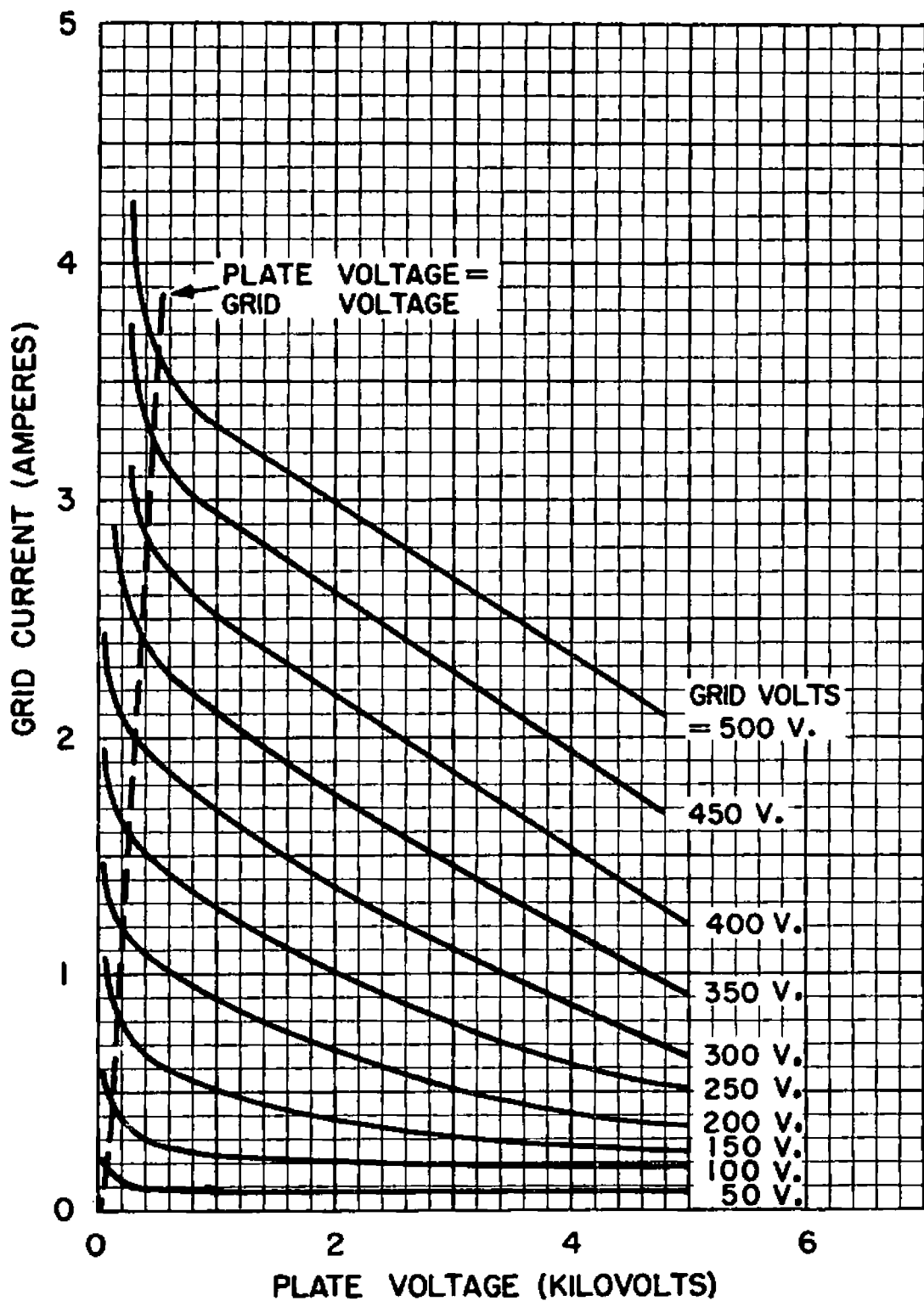
Frequency	55 Mc.
D.C. Plate Voltage	7 KV
D.C. Grid Voltage	-1250 volts
D.C. Plate Current	1.8 amps
D.C. Grid Current (Full Load)	0.5 amp
D.C. Grid Current (No Load)	0.7 amp
Plate Power Input	11 KW
Plate Dissipation	6 KW
Grid Resistor	10 Kilohms

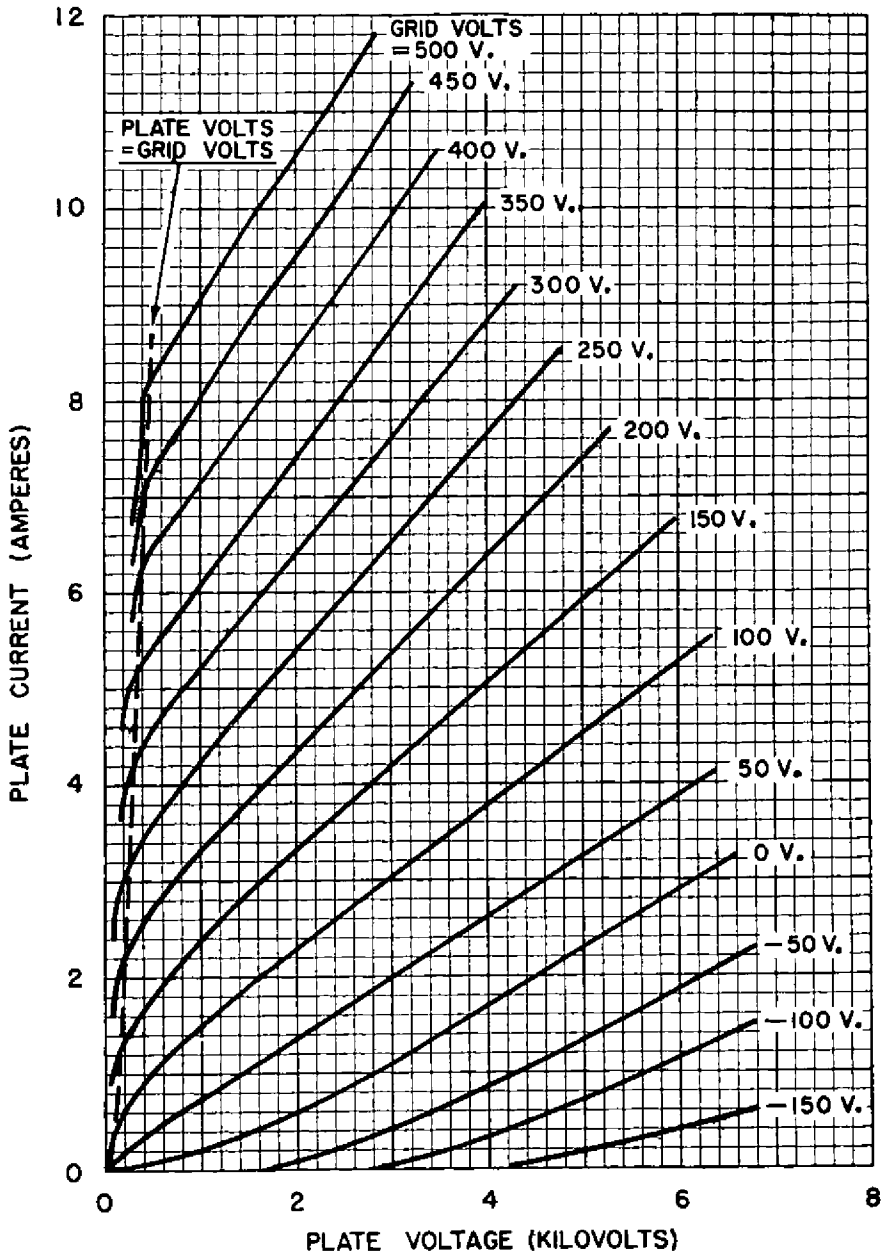
Typical Operation

Frequency	50 Mc.
Transformer Secondary Voltage (rms)	5.1 KV
D.C. Plate Voltage	6 KV
D.C. Plate Current	1.5 amps
D.C. Grid Current (Full Load)	0.4 amp
D.C. Grid Current (No Load)	0.7 amp
Grid Resistor	1000 ohms
Plate Power Input	9 KW
Plate Dissipation	2.7 KW
Plate Power Output	6 KW

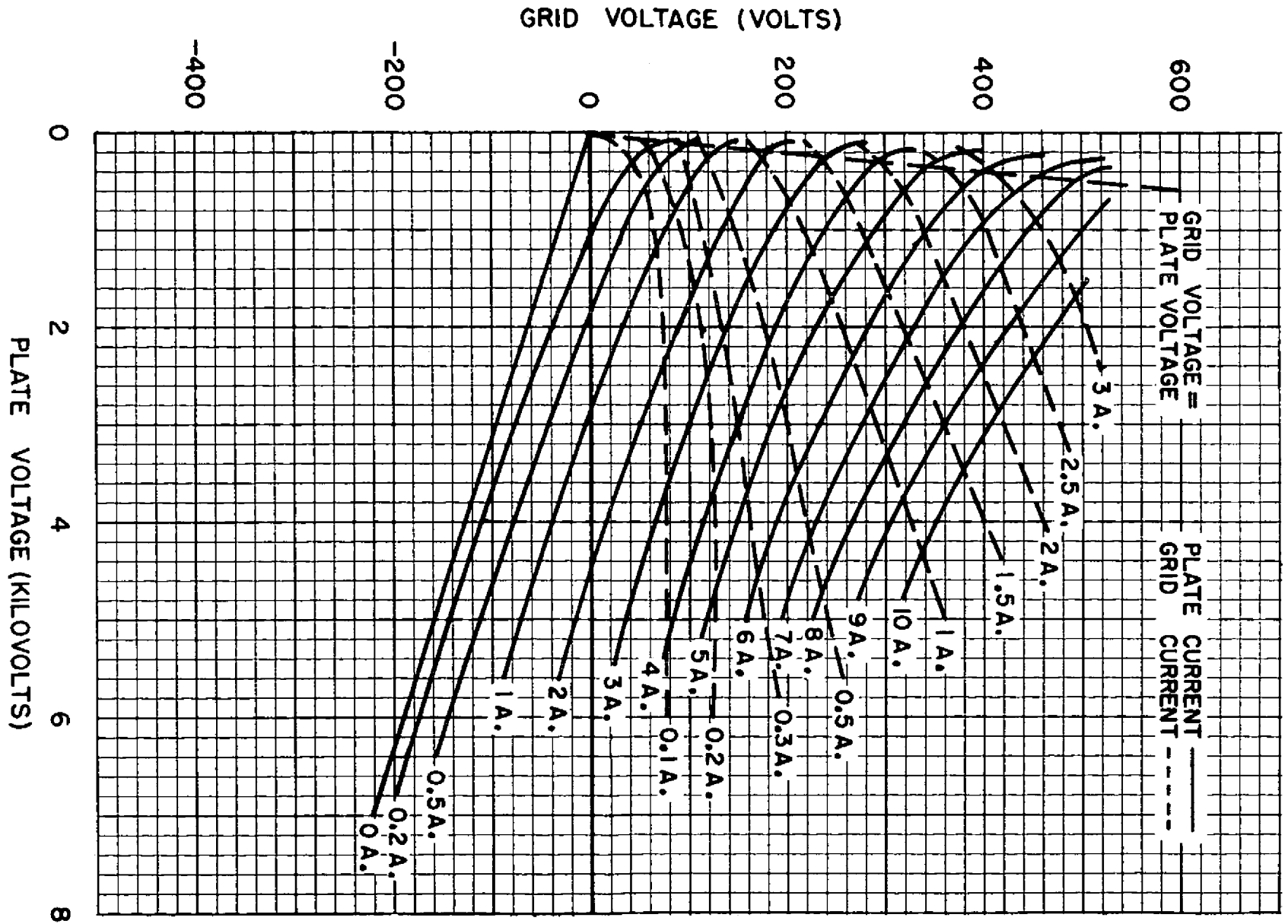


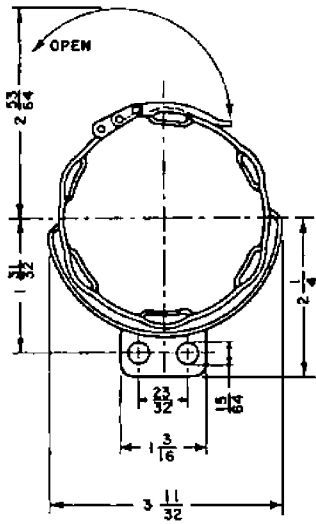
7237



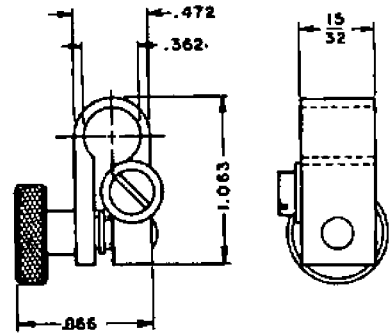


7237

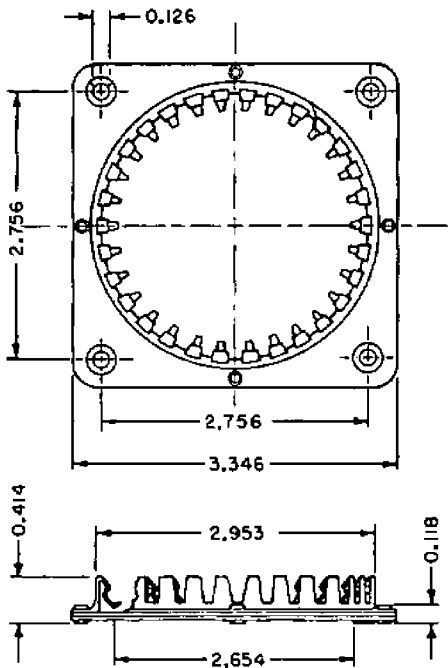




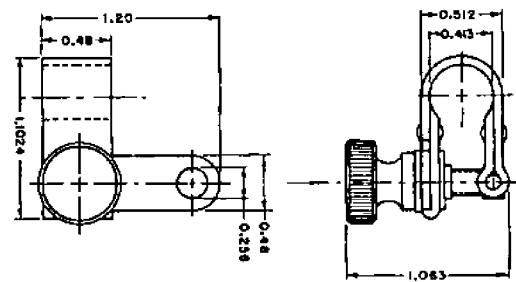
GRID CONNECTOR
S-17288



FILAMENT CONNECTOR S-3707



GRID CONNECTOR
S-3706



FILAMENT CENTER PIN CONNECTOR
S-21000