

ELECTRONS, INCORPORATED

127 SUSSEX AVENUE

RECTIFIER TUBES

NEWARK 4, N. J.

TYPE 5683 ~~4CL7/A~~

THYRATRON

GENERAL CHARACTERISTICS

A temperature free inert gas filled grid controlled triode designed for precise control.

ELECTRICAL

Filament-----	Coated
Voltage-----	2.5 volts
Current-----	6.3 ± 0.8 amps.
Heating Time-----	25 seconds
Average Tube Voltage Drop-----	8 volts
Grid Characteristics	
Maximum De-ionization Time-----approx.	1 millisecond
Critical Grid Voltage at 750 peak fwd volts --	-4.0 ± 2 volts
Critical Grid Current-----less than	5 microamps.
Critical Anode Voltage @ + 4 grid volts-----	30 volts
Maximum Negative Grid Voltage-----	100 volts
Grid to anode capacitance-----	approx. 2 u u f
Grid to Filament Capacitance-----	approx. 7.5 u u f

MECHANICAL

Type of Cooling-----	convection
Temperature Limits-----	-55 to +70°C
Mounting Position-----	Any
Basing Designation-----	4AX
Base-----	A4-10
Weight-----	3 oz.
Maximum Overall Dimensions	
Length-----	4½ in.
Diameter-----	1-9/16 in.

MAXIMUM RATINGS

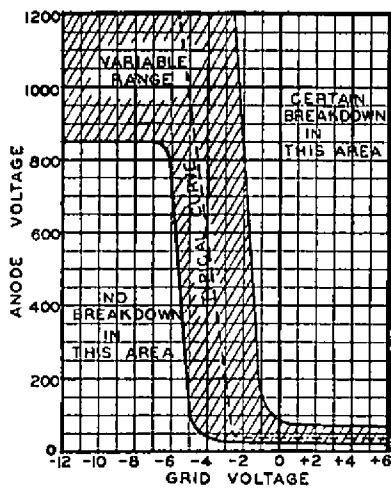
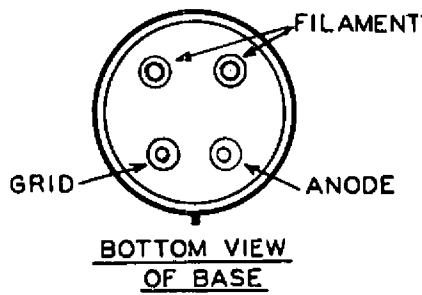
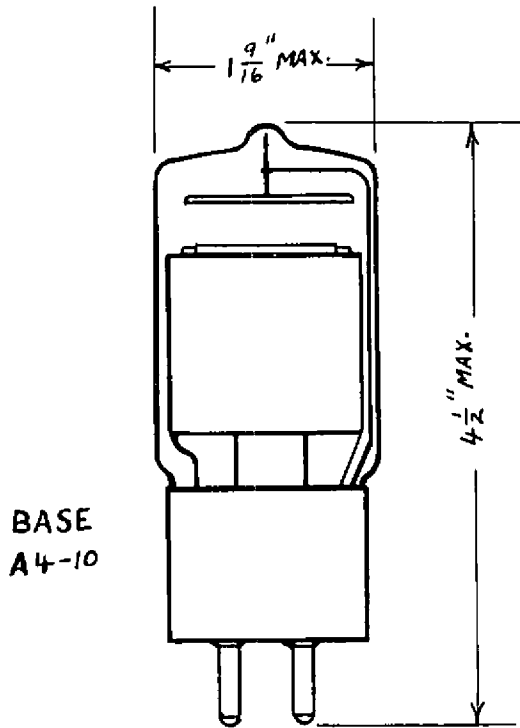
Peak Inverse Voltage-----	1250 volts
Peak Forward Voltage-----	750 volts
Peak Anode Current-----	8 amps.
Overload Average Anode Current Less Than 3 sec.---	1.5 amps.
Average Continuous Anode Current-----	1.0 amps.
AC Short-Circuit Current (0.1 sec.)-----	77 amps.

All values are for returns to the filament center tap.

Sponsor: ELECTRONS, INC. Newark, New Jersey

Date: Nov. 7, 1947

OUTLINE
Thyratron 5683



CONTROL CHARACTERISTICS

ELECTRONS, INC.
127 Sussex Ave.
Newark 4, N. J.