

sponsor: Continental Electric Co.

JULY 10, 1947

GAS FILLED PHOTOTUBES

5612; 5613; 5614; 5615; 5616; 5617

ELECTRICAL DATA

Spectral ResponseS4
 Luminous Sensitivity at 100 volts 0 cycles
 (Light source temperature 2870°K; 1 megohm series
 resistance; one week after seasoning)

Type	5612	5613	5614	5615	5616	5617	
Minimum	90	180	90	180	80	160	μamp/lumen
Bogle	135	240	135	240	110	220	μamp/lumen
Maximum	180	300	180	300	160	280	μamp/lumen

Wavelength of the most useful maximum in the spectral
 distribution curve..... 4,000 ± 500 A

Sensitivity of Maximum Response

Type	5612	5613	5614	5615	5616	5617	
	0.125	0.220	0.125	0.220	0.10	0.20	μamp/μwatt

Dark Current at 100 volts0.050 μamp
 Gas Amplification5.5

MECHANICAL DATAWindow Dimensions

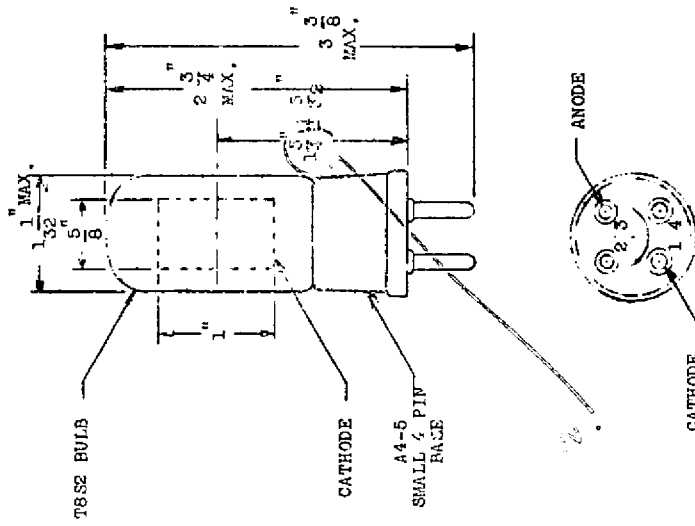
Type	5612	5613	5614	5615	5616	5617
Width	1 1/16"	1 1/16"	1 1/16"	1 1/16"	5/8"	5/8"
Height	1 5/8"	1 5/8"	1 5/8"	1 5/8"	1"	1"
Seated Ht. to Window Centre	2 31/32"	2 31/32"	2 21/32"	2 21/32"	1 3/4"	1 3/4"

Basing -- -- 2J 2J 2J 2J

MAXIMUM RATINGS

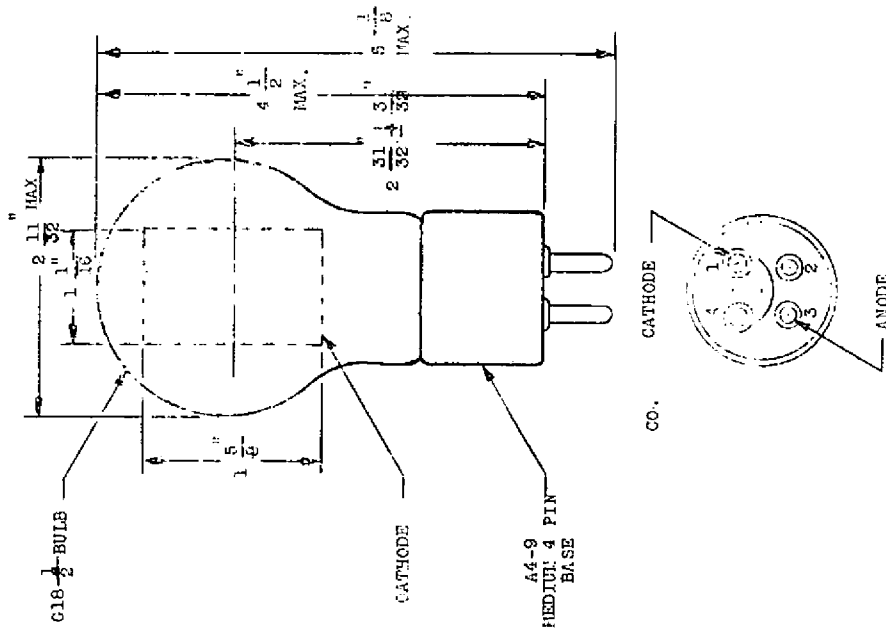
Type	5612	5613	5614	5615	4616	5617	
Anode voltage(dc or peak ac)	110	110	110	110	100	100	volts
Average cathode current	10	10	10	10	4	4	μamp
Peak cathode Current Density	100	100	100	100	100	100	μamp/in ²
Ambient Temperature	75	75	75	75	75	75	°C.

TYPES 5616, 5617



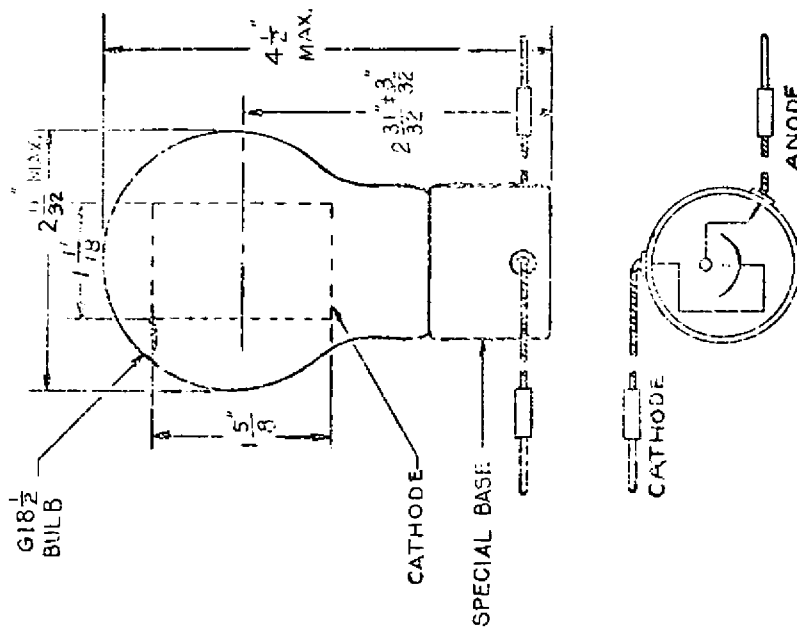
BOTTOM VIEW OF BASE

TYPES 5614, 5615



BOTTOM VIEW OF BASE

TYPES 5612, 5613



BOTTOM VIEW OF BASE