

TYPE 25A6GT



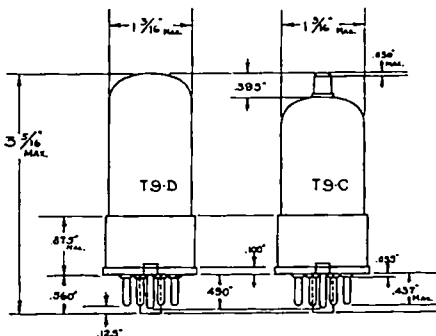
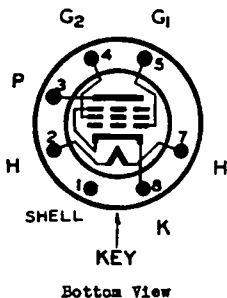
HYTRON BANTAM

GENERAL DESCRIPTION

Application: The Hytron 25A6GT is a cathode type power pentode suitable for use in the output stage of radio receivers. It is especially adapted to universal AC-DC receivers or receivers operating directly from DC power lines. The power output is relatively large for the low voltages available in such receivers.

The 25A6GT is a glass tube equipped with a small octal base and may be used interchangeably with the Hytron 26A6G glass tube.

Physical Characteristics: Bulb T-9D



RATING AND CHARACTERISTICS

Heater:
 Voltage 25.0 Volts AC or DC
 Current 0.3 Ampere

Note: Voltage between negative end of heater and cathode should not exceed 90 volts DC.

AMPLIFIER OPERATION-SINGLE TUBE (CLASS A)

Plate Voltage	95	135	180	Max.	Volts
Screen Voltage	95	135	135	Max.	Volts
Grid Voltage	-15	-20	-20		Volts
Plate Current	20	27	38		Milliamperes
Screen Current	4	8	7.5		Milliamperes
Plate Resistance	45,000	35,000	40,000		Ohms Approx.
Amplification Factor	90	85	100		Approx.
Mutual Conductance	2,000	2,450	2,500		Micromhos
Load Resistance	4,500	4,000	5,000		Ohms
Power Output	0.9	2	2.75		Watts
Total Harmonic Distortion	11	9	10		Per Cent
*Self-Biasing Resistor	625	420	420		Ohms

*Single tube.

oTransformer or impedance coupled input systems are recommended. If resistance coupling is used the DC resistance in the grid return must be limited to 0.25 megohm for self-biased conditions and 0.1 megohm for fixed-biased conditions provided that the heater voltage does not exceed rated value by more than 10% under all operating conditions.

from RMA release #134, April 11, 1938

Note: For characteristic curves refer to the type 25A6G

HYTRON CORPORATION

SALEM, MASS.

