



RADIO MANUFACTURERS ASSOCIATION
ENGINEERING DEPARTMENT

RMA Release No. 428

August 20, 1945

sponsor:
 General Electric Co.

Types

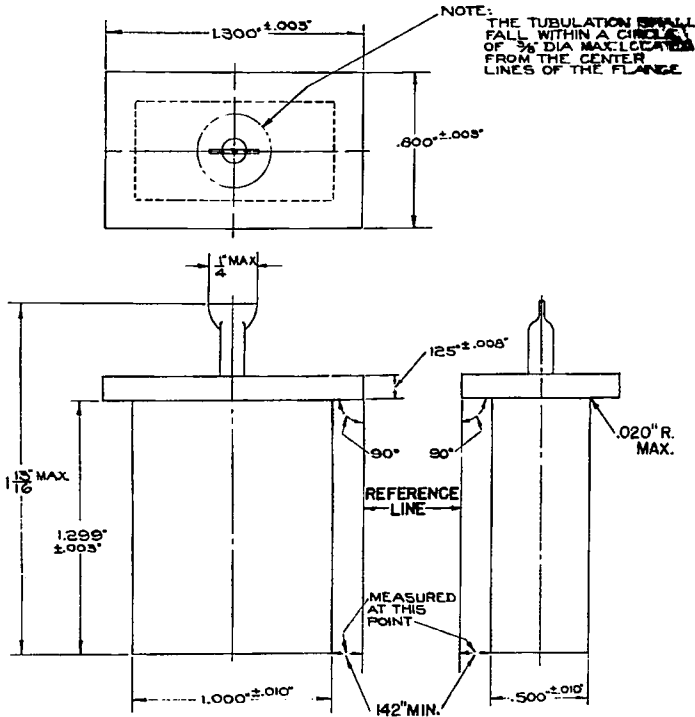
1B35, 1B36, 1B37, 1B38

Gaps

	<u>1B35</u>	<u>1B36</u>	<u>1B37</u>	<u>1B38</u>
Description	ATR	ATR	ATR	Pre-TR
Number of Electrodes	2	2	2	2
Cathode	Cold	Cold	Cold	Cold
Wavelength at Center Frequency (Fo), Centimeters	3.22	1.25	3.43	10.7
Voltage Standing Wave Ratio at Fo	25	25	25	1.05
Loaded Q	5.5	6	5.5	
Leakage Energy, Joules				1.3×10^{-4}
Temperature Range, K				
Maximum	+100	+100	+100	+100
Minimum	- 40	- 40	- 40	- 40

IB35

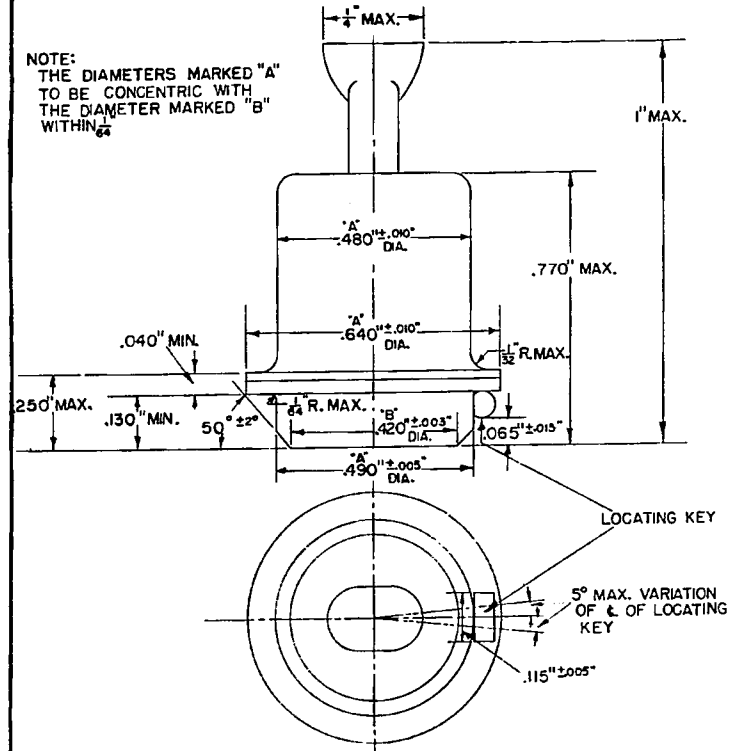
NOTE: THE TUBULATION SHALL FALL WITHIN A CIRCLE OF $\frac{3}{16}$ " DIA. MAX. LOCATED FROM THE CENTER LINES OF THE FLANGE.



CENTER LINES OF WINDOW SHALL COINCIDE WITH CORRESPONDING CENTER LINES OF THE BOX WITHIN $.015$ " THIS MEASUREMENT SHALL BE MADE IN THE PLANE OF THE WINDOW.

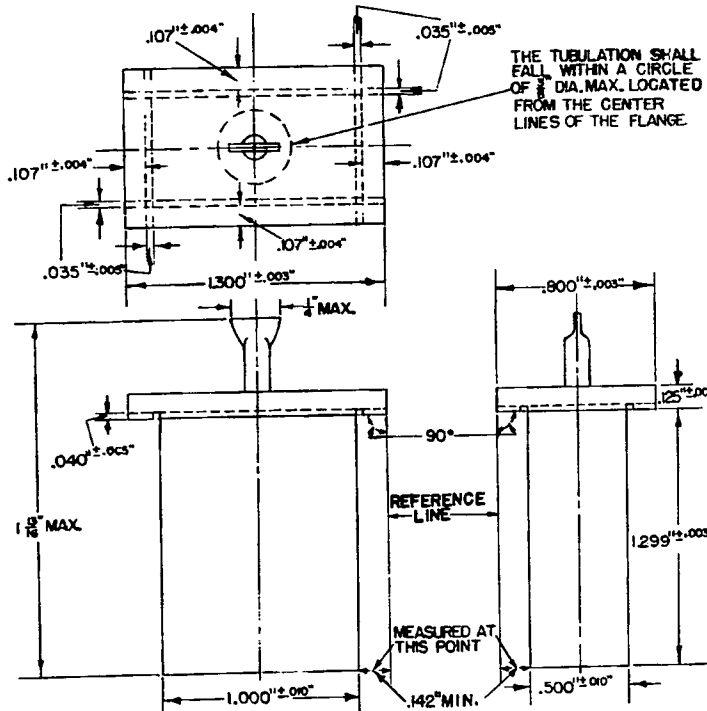
IB36

NOTE: THE DIAMETERS MARKED "A" TO BE CONCENTRIC WITH THE DIAMETER MARKED "B" WITHIN $\frac{1}{64}$ "



IB37

NOTE: THE TUBULATION SHALL FALL WITHIN A CIRCLE OF $\frac{3}{16}$ " DIA. MAX. LOCATED FROM THE CENTER LINES OF THE FLANGE.



CENTER LINES OF WINDOW SHALL COINCIDE WITH CORRESPONDING CENTER LINES OF THE BOX WITHIN $.015$ " THIS MEASUREMENT SHALL BE MADE IN THE PLANE OF THE WINDOW

IB38

