



DESCRIPTION

The F-7100 is a diode designed for rectifier service or in special applications in shunting or charging circuits. The exceptionally rugged construction, free of internal insulators, spring tensioning devices, and fragile elements, make this type adaptable to a wide range of uses. The anode is forced air cooled and is capable of dissipating 3.5 kilowatts. The cathode is a thoriated tungsten bifilar helix.

ELECTRICAL

Filament Voltage 15 volts
 Filament Current 36 amperes
 Filament Starting Current

Full rated filament voltage may be safely applied to the cold filament

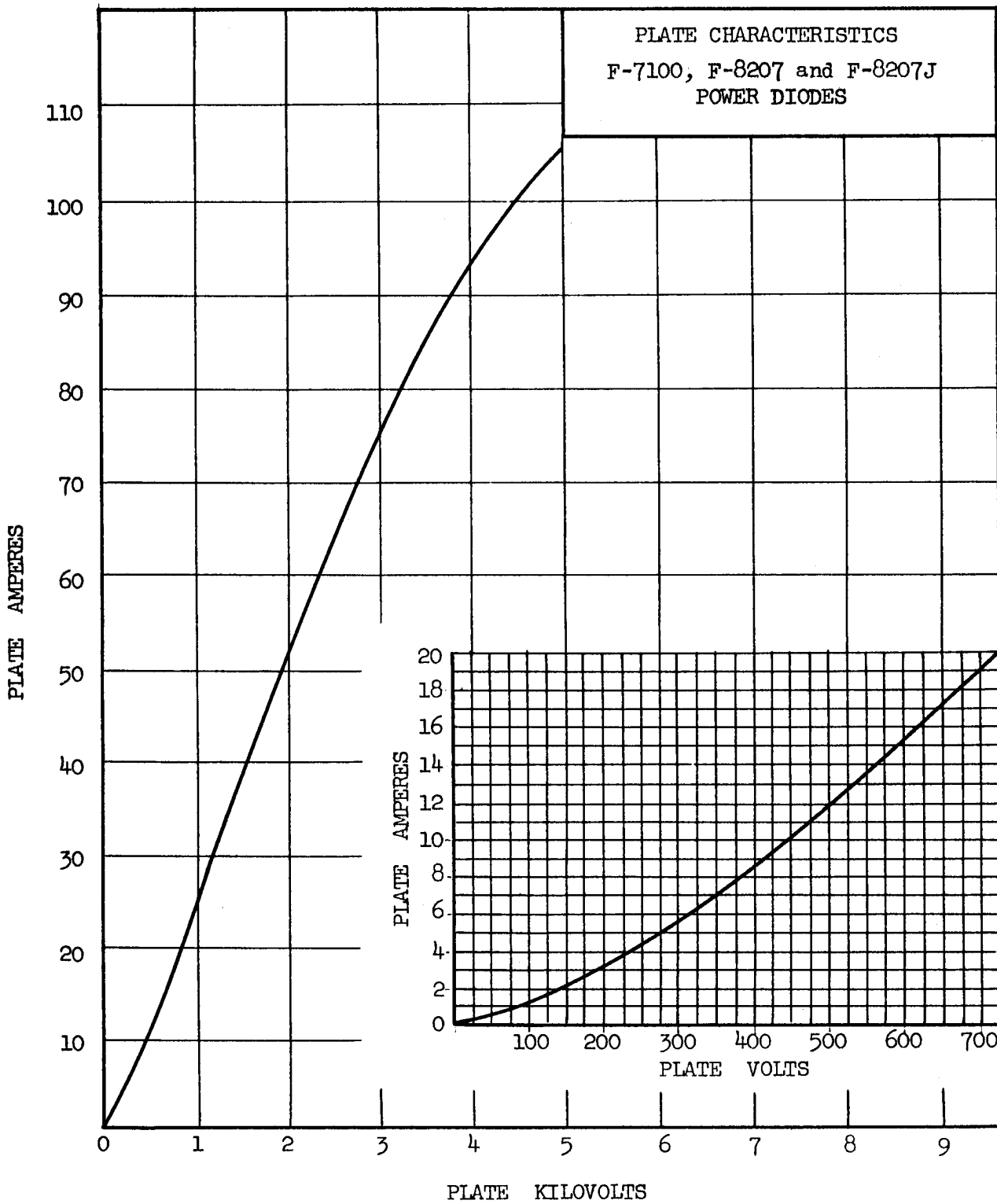
Maximum Ratings	<u>Shunt</u>	<u>Charging</u>	<u>Rectifier</u>
Max. Peak Inverse Voltage - kv	30	30	30
Max. Peak Plate Current - amps	100	7.5 rms	20
Max. Plate Current - amps	-	-	6 avg.

MECHANICAL

Mounting Position	Vertical, anode up or down		
Type of Cooling	Forced Air		
Anode Air Flow Required			
Plate Dissipation - kw	3.5	2.8	2.4
Air Flow - cfm	190	125	75
Pressure - inches of water	1.6	.78	.35
Max. Incoming Air Temperature			45 °C
Max. Glass & Seal Temperature			180 °C
Net Weight, approximate			7 lbs.

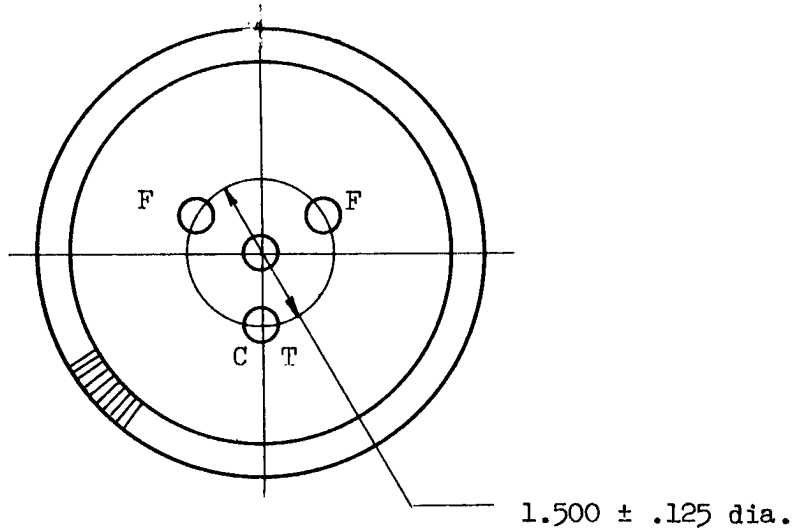
Additional information for specific applications can be obtained from:

Electron Tube Applications Section
 ITT Components Division
 P.O. Box 412
 Clifton, New Jersey

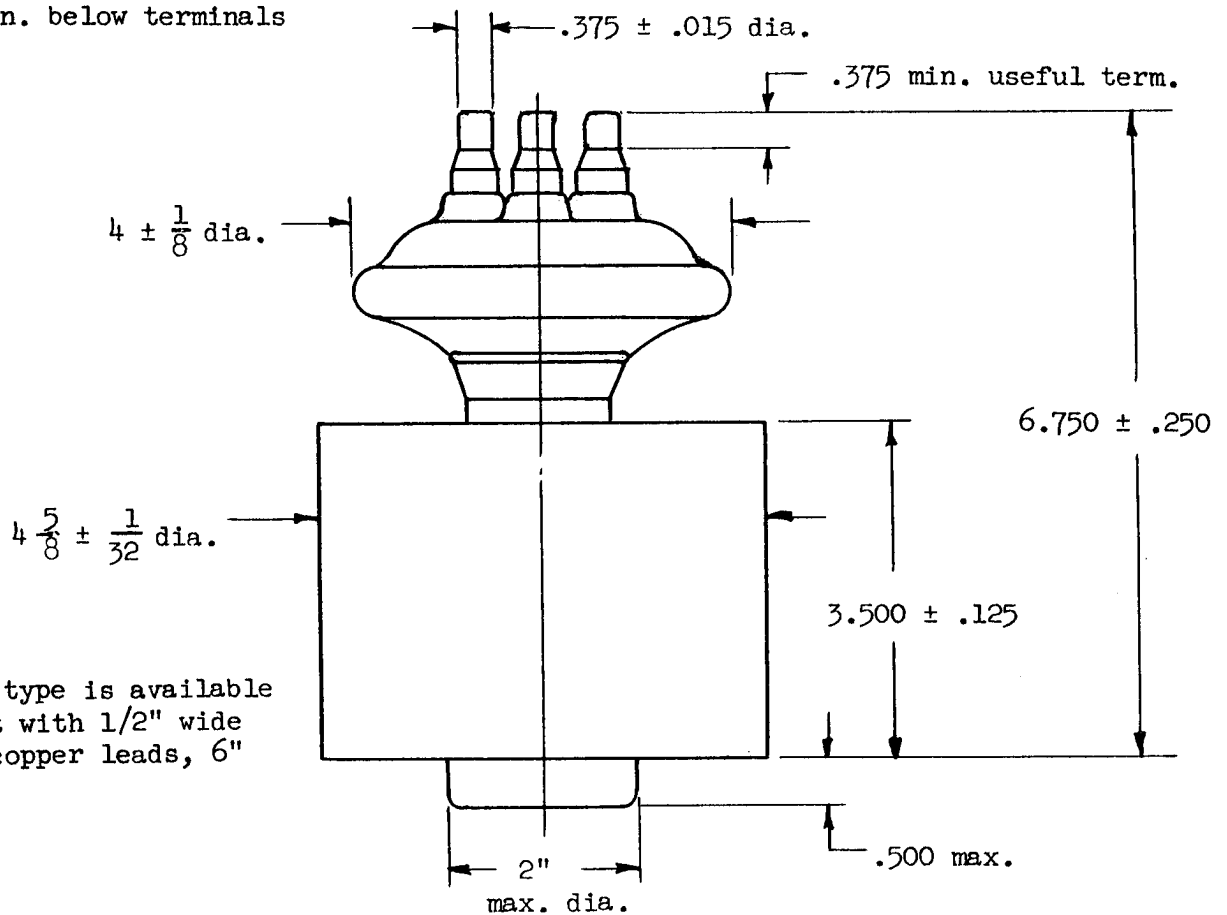


Color Code

Fil. Terminal - Yellow
 Fil. C. Term. - Red



Tubulation tip-off to be
 1/8" min. below terminals



This tube type is available
 on request with 1/2" wide
 flexible copper leads, 6"
 long.

ACCESSORIES

Air Jacket - RT-54887 Type II

OUTLINE

F-7100 POWER DIODE

