

F-4736

ELECTRON TUBE DIVISION
 P.O. Box 100
 Easton, Pennsylvania 18042
 Telephone 215 252-7331

U.K. technical and sales enquiries should be directed to :
 ITT Components Group Europe
 Valve Product Division
 Standard Telephone and Cables Ltd
 Brixham Road, Paignton Devon
 Telephone : Paignton 50762 (STD 0803-). Telex 42830

The F-4736 is an electrostatically focused, high resolution, magnifying image intensifier. The flat, 25mm useful diameter fiberoptic input window is ideally suited for efficient coupling to other fiberoptic tubes or fiberoptic cables. The 125mm useful diameter, glass output window may be viewed directly or optically enlarged without the viewing restrictions of conventional optical magnifiers.

The cathode has an S-20 spectral response processed for high green gain to best match the output of other image intensifiers. The high resolution modified P-20 output screen has a spectral output closely matched to the human eye.

The F-4736 is a triode with a nominal focusing voltage of 2% of anode potential which is typically 20KV. The electron optics are such that, at optimum focus, a typical tube has a resolution on axis of 120 lp/mm. The resolution at the edge is over 100 lp/mm and with a minor focus shift, the resolution can be equalized to over 110 lp/mm across the full input field.

GENERAL INFORMATION

PERFORMANCE DATA

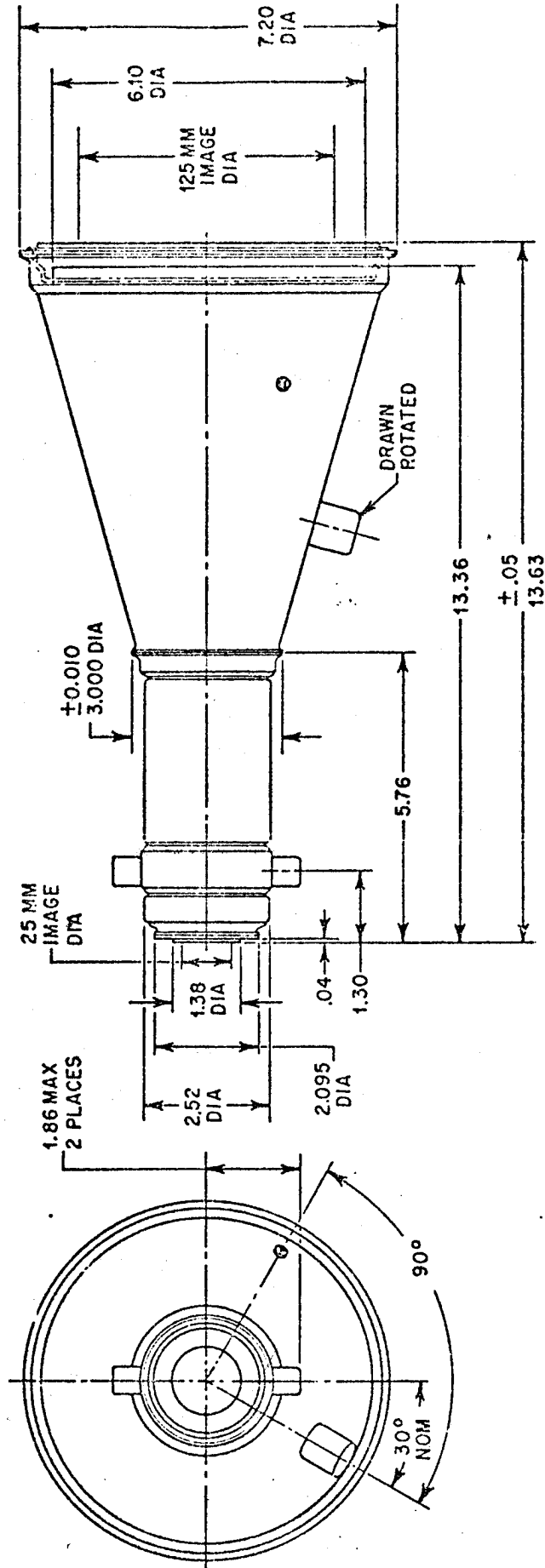
<u>GENERAL INFORMATION</u>		<u>PERFORMANCE DATA</u>			
			<u>Typ.</u>	<u>Min.</u>	<u>Units</u>
Input fiber		Brightness Gain			
Useful diameter	25mm	2870 K light	6	4	fL/fc
Flatness	0.5μ	Green Filter			
Numerical Aperture (Nominal)	1.0	(Corning 4-64)	3	2.5	fL/fc
Output window		Limiting Resolution			
Shape	flat	at input			
Useful diameter	125mm	Center	120	110	lp/mm
Photocathode	S-20	12mm off axis	110	100	lp/mm
Image Section		Equivalent			
Configuration	Triode	Background input	1x10 ⁻¹⁰	1x10 ⁻⁹ max	lum/cm ²
Focusing voltage, Nominal	+400 volts	Distortion			
Anode voltage (cathode ground)	+20 KV	60% diameter	2	-	%
Phosphor	Modified P-20	90% diameter	7	8max	%
Overall length	13.63 in.	Contrast	88	85	%
Outside Diameter	7.20 in.	Brightness uniformity			
Weight	3.2 lbs.	(80% diameter)	+20	+30(max)	%

*All measurements made at 20KV operating voltage

ELECTRON TUBE DIVISION



F-4736



NOTES: Unless otherwise specified dimensions are in inches

Tolerances

Decimals .XX $\pm .02$

.XXX $\pm .005$

Angular $\pm 1^\circ$