



ELECTRON TUBE DIVISION

CLIFTON, NEW JERSEY

INTERNATIONAL TELEPHONE AND TELEGRAPH CORPORATION

**F-2900
REFLEX
KLYSTRON**

DESCRIPTION:

Type F-2900 Reflex Klystrons are millimeter wavelength tubes designed for operation in the 33 to 38 Gc frequency range. Each tube is fixed tuned and will deliver a minimum power output of one watt at its specific operating frequency in this range.*

The specific operating frequency may be shifted 2% while maintaining a minimum output of 1 watt, by using the MT-80 mechanical tuner which is available as an optional accessory.

The electronic tuning range as measured between the half power points is 0.1% of the specific operating frequency.

The small size and rugged construction of these tubes make them suitable as test equipment primary signal sources, receiver local oscillators, parametric amplifier pumps and low power transmitters.

TYPICAL OPERATION:

Operating Frequency	34.7	Gc	Grid Voltage (with respect to cathode)	-50	Volts
Beam Voltage	2000	Volts	Power Output	1.1	Watt
Beam Current	40	ma	Electronic Tuning (between 3 db points)	35	mc
Reflector Voltage			Heater Voltage	6.3	Volts
(with respect to cathode)	-780	Volts	Heater Current	1.2	Amperes

MAXIMUM RATINGS:

Beam Voltage	2500	Volts	Reflector Voltage	-25 to -1000	Volts
Beam Current	50	ma	Grid Voltage	0 to -100	Volts

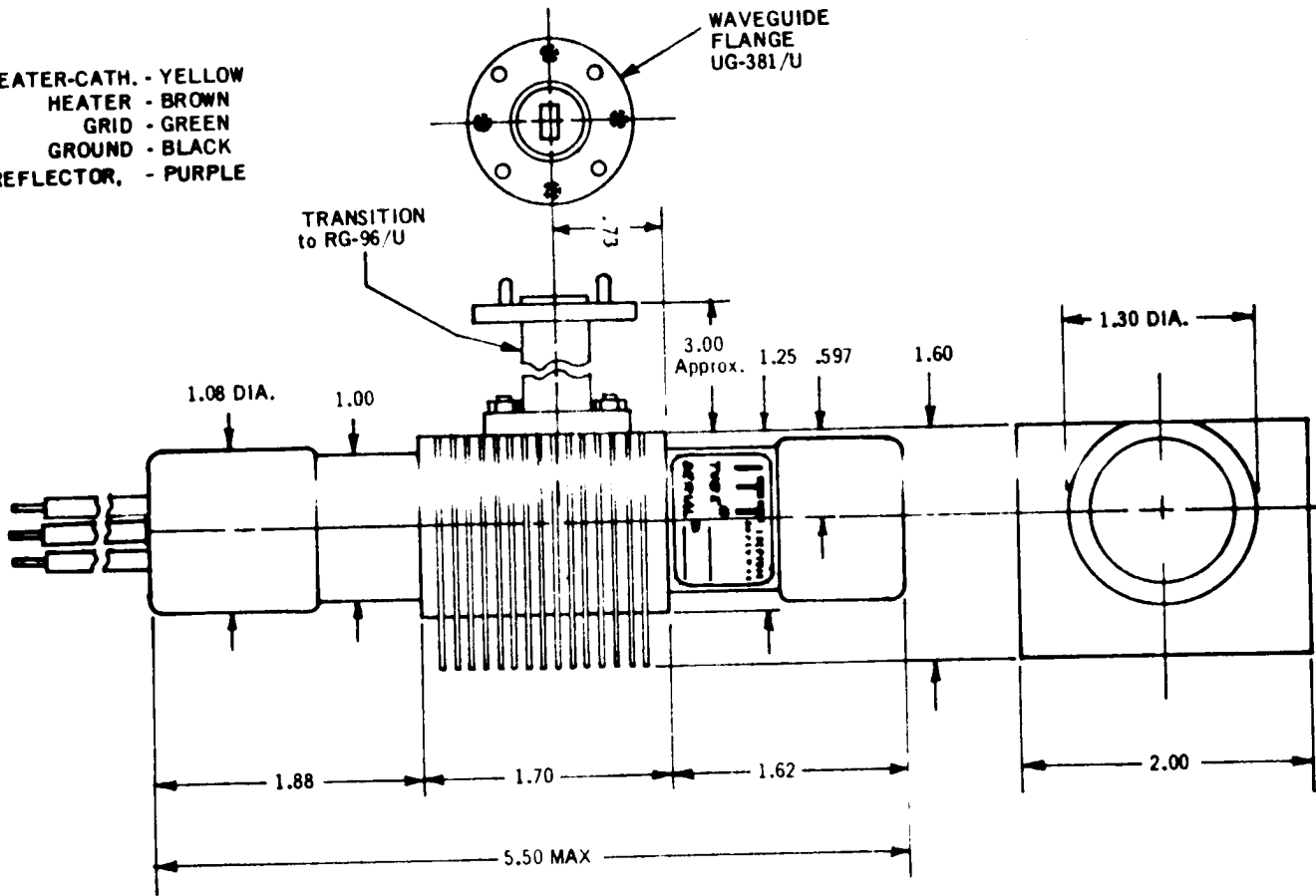
MECHANICAL SPECIFICATIONS:

Cathode	Dispenser Type	Physical Dimensions	See Outline Drawing
Cooling	Forced Air	RF Connection	UG-381/U Flange
Weight	20 oz.		RG-96/U Waveguide
Base Connection	Flying Leads	Mounting Position	Any

* Specify frequency required when ordering.

F-2900
8mm REFLEX KLYSTRON OUTLINE

HEATER-CATH. - YELLOW
 HEATER - BROWN
 GRID - GREEN
 GROUND - BLACK
 REFLECTOR, - PURPLE



OUTPUT MODE PATTERN VERSUS REFLECTOR VOLTAGE
FOR TUBE TYPE F-2900

