

CHARACTERISTICS

GENERAL DATA

| | |
|---|-------------------------------|
| Focusing Method | Self Focusing (Electrostatic) |
| Deflecting Method | Magnetic |
| Deflection Angles (approx.) | |
| Vertical | 68 Degrees |
| Horizontal | 85 Degrees |
| Diagonal | 90 Degrees |
| Phosphor | P4 |
| Fluorescence | White |
| Persistence | Short to Medium |
| Faceplate | Gray Filter Glass |
| Light Transmittance (approx.) | 80 Percent |

ELECTRICAL DATA

| | |
|--|------------|
| Heater Voltage | 6.3 Volts |
| Heater Current (approx.) | 0.6 Ampere |
| Direct Interelectrode Capacitances (approx.) | |
| Cathode to All Other Electrodes | 5 μ f |
| Grid No. 1 to All Other Electrodes | 6 μ f |

MECHANICAL DATA

| | |
|--|-----------------------|
| Minimum Useful Screen Dimensions | 7-3/16 x 5 3/8 Inches |
| Bulb Contact (Recessed Small Cavity Cap) | J1-21 |
| Base (Small Shell Duodecal 5-Pin) | B5-57 |
| Basing | 12S |

RATINGS

MAXIMUM RATINGS (Absolute Maximum Values)

| | |
|---|-----------------|
| Anode Voltage | 22,000 Volts dc |
| Grid No. 2 (and Grid No. 4) Voltage | 550 Volts dc |
| Grid No. 1 Voltage | |
| Negative Bias Value | 155 Volts dc |
| Negative Peak Value | 220 Volts |
| Positive Bias Value | 0 Volts dc |
| Positive Peak Value | 2 Volts |
| Peak Heater-Cathode Voltage | |
| Heater Negative with Respect to Cathode | |
| During Warm-up Period not to Exceed | |
| 15 Seconds | 450 Volts |
| After Equipment Warm-up Period | 200 Volts |
| Heater Positive with Respect to Cathode | 200 Volts |

TYPICAL OPERATING CONDITIONS

| | |
|---|---------------------|
| Anode Voltage | 16,000 Volts dc |
| Grid No. 2 (and Grid No. 4) Voltage | 300 Volts dc |
| Grid No. 1 Voltage Required for Cutoff ¹ | -28 to -72 Volts dc |

CIRCUIT VALUES

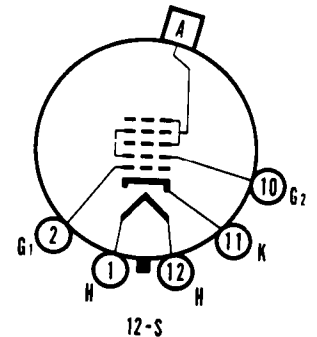
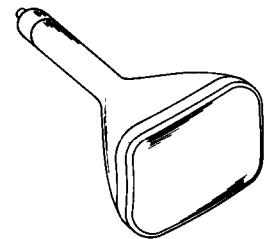
| | |
|---|------------------|
| Grid No. 1 Circuit Resistance | 1.5 Megohms Max. |
|---|------------------|

NOTE:

1. Visual extinction of raster.

QUICK REFERENCE DATA

Receiver Check Tube
 8" Rectangular, All Glass
 Self Focusing (Electrostatic)
 No Ion Trap
 Magnetic Deflection
 Gray Filter Glass



SYLVANIA ELECTRIC PRODUCTS INC.

TELEVISION PICTURE TUBE DIVISION

SENECA FALLS, NEW YORK

Prepared and Released By The
TECHNICAL PUBLICATIONS SECTION
EMPORIUM, PENNSYLVANIA

APRIL 1956

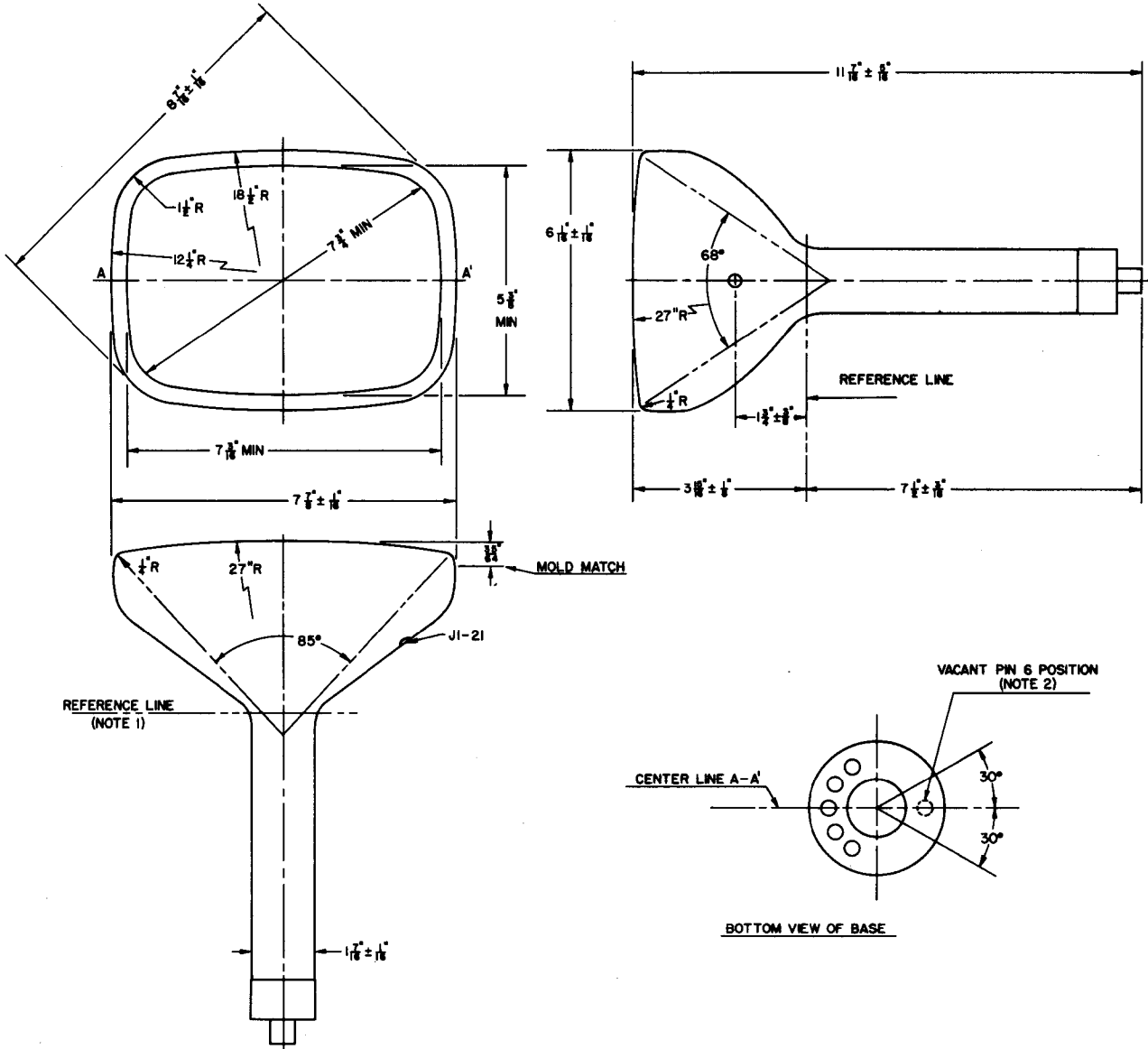


DIAGRAM NOTES:

1. Reference line is determined by the plane C-C' of the reference line gauge (JETEC No. 116) when the gauge is resting on the glass cone.
2. Anode contact aligns with vacant pin position No. 6 ± 30 degrees.

WARNING:

X-ray radiation shielding may be necessary to protect against possible danger of personal injury from prolonged exposure at close range if this tube is operated at higher than the manufacturer's Maximum Rated Anode Voltage or 16,000 volts, whichever is less.