

# Mullard OSCILLOGRAPH TUBE

# E42-G6/B6

## CATHODE RAY TUBES FOR OSCILLOGRAPHIC USE

6 - Inch Screen

Heater	Vf = 4.0 V
	If = 1.0 A

Capacities	Cg = 12 uuF
	CD1D1' = 6 uuF
	CD2D2' = 7 uuF

Fluorescent Colour - Green (G6) Blue (B6)

Deflection - Double electrostatic for symmetrical operation.

### → Operating Conditions

Va2 .....	1000	2000	V
Val .....	(approx.) 200	400	V
-Vg <sup>‡</sup> .....	0-35	0-35	V
N1 .....	0.54	0.27	mm/V
N2 .....	0.40	0.20	mm/V

<sup>‡</sup>The Grid Voltage should be adjusted to give the required light intensity. The voltage should never become positive or damage to the tube will result.

### Limiting Values

Va2 max .....	2000	V
Val max .....	600	V
Max. writing speed .....	0.5	km/sec

E42-G6 & E42-B6

# E42-G6/B6

# Mullard OSCILLOGRAPH TUBE

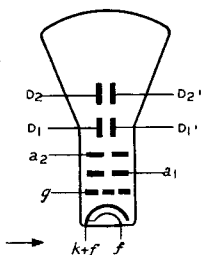


FIG 1

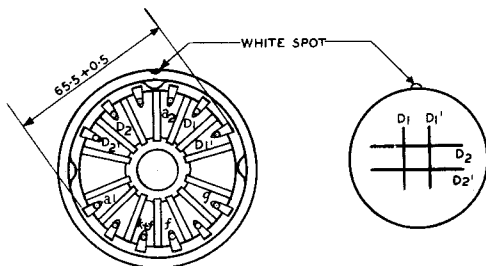


FIG 2

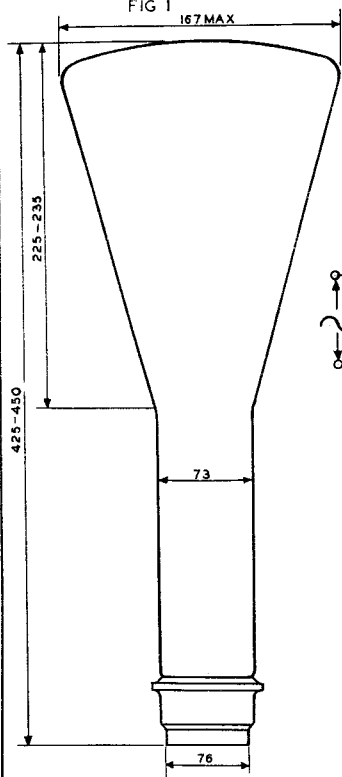


FIG 3

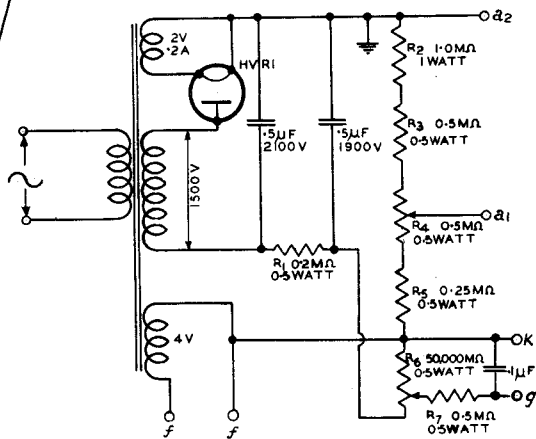


FIG 4

DIMENSIONS IN M/M

**Mullard**  
OSCILLOGRAPH TUBE

# E42-G6 & E42-B6

