



Vacuum Condenser

K12/2L

This condenser is suitable for wiring direct on to the tank circuit of Radio transmitters.

The physical size of each unit is small and four separate tank circuits need not occupy more space than a single open plate condenser.

CAPACITY. 12 ± 10% pF

DIMENSIONS.

Maximum overall length	170	mm.
Maximum bulb diameter	56	mm.
Maximum overall diameter	70	mm.

MAXIMUM RATING.

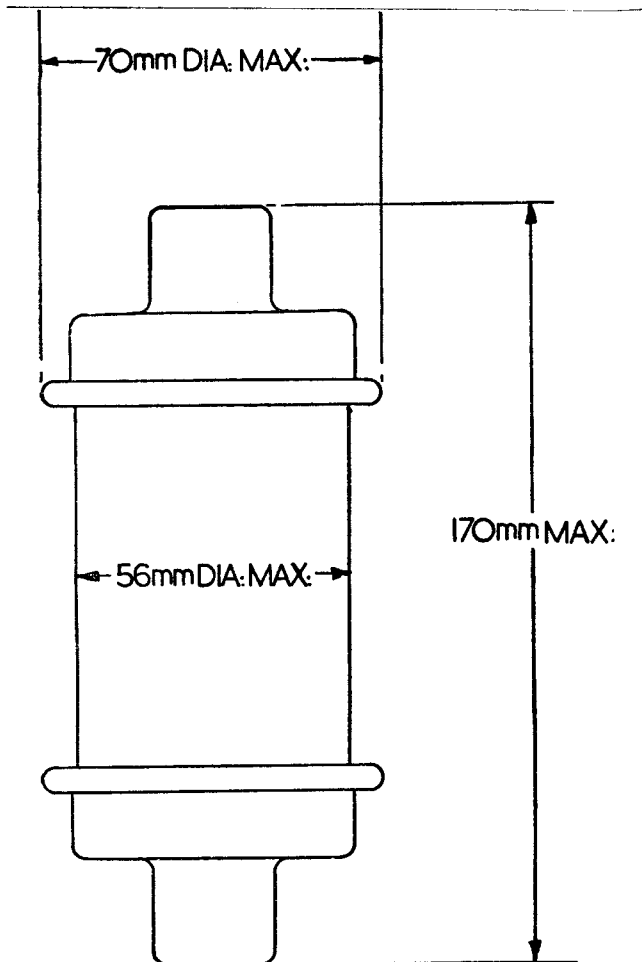
Maximum peak RF voltage	32	kV
Maximum RF current	12	A
Maximum frequency of operation	20	Mc/s

K12/2L

Vacuum Condenser



K12/2L



Preliminary data.
October 1946

K12/2L-2