



# Water-Cooled R.F. Triode

3Q/191E

3Q/191E

## CATHODE.

Thoriated tungsten filament

Voltage	10	V
Nominal current	33	A
Peak emission	12	A

## RATING.

Amplification factor	{ Measured at }	26	
Impedance	{ $V_a$ 5kV, $I_a$ 0.8A }	3,450	$\Omega$

## DIRECT INTER-ELECTRODE CAPACITIES.

Grid to anode	12	pF
Grid to filament	11.5	pF
Anode to filament	1.5	pF

## WATER COOLING.

Water jacket type 235/LU3

Normal water flow	3	galls/min.
-------------------	---	------------

## DIMENSIONS.

Maximum overall length	355	mm.
Maximum width	149	mm.
Net weight	905	g

## MAXIMUM RATINGS.

Maximum direct anode voltage	10	kV
Maximum direct anode current	2	A
Maximum direct grid current	0.25	A
Maximum anode dissipation	5	kW

# Water-Cooled R.F. Triode

3Q/191E



## TYPICAL OPERATING CONDITIONS

### RADIO FREQUENCY

#### Class B Telephony. Modulated carrier applied to grid.

(Carrier conditions per valve for use with 100% modulation).

Direct anode voltage	8	kV
Grid bias	—480	V
Direct anode current	0.8	A
Peak R.F. grid voltage	700	V
*Direct grid current	20	mA approx.
Output	2	kW approx.

#### Class C Power Amplifier. Anode subject to modulation.

(Carrier conditions per valve for use with 100% modulation).

Direct anode voltage	8	kV
Grid bias	—1,000	V
Direct anode current	0.8	A
Peak R.F. grid voltage	1,700	V
* Direct grid current	120	mA approx.
Output	4.5	kW approx.

#### Class C Power Amplifier or Oscillator—unmodulated.

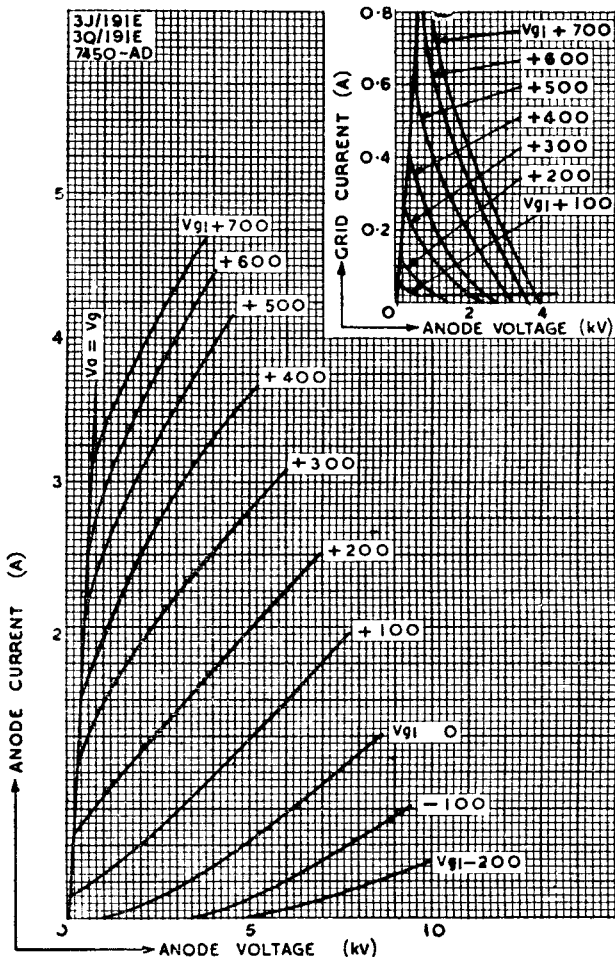
Direct anode voltage	10	kV
Grid bias	—800	V
Direct anode current	1	A
Peak R.F. grid voltage	1,500	V
* Direct grid current	120	mA approx.
Output	7.3	kW approx.

\* Subject to wide variation depending upon the impedance of the load circuit.



# Water-Cooled R.F. Triode

3Q/191E

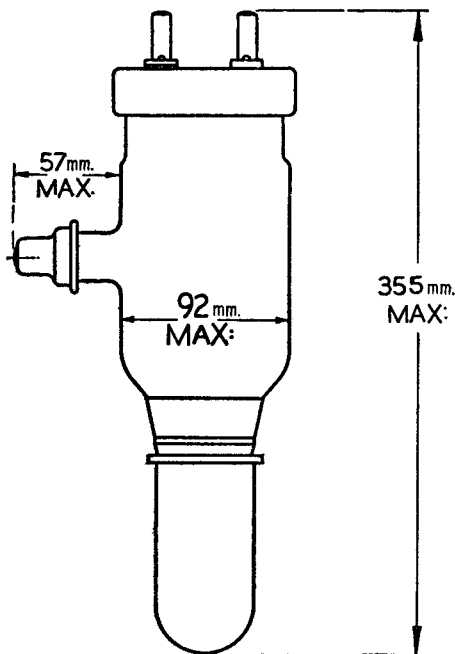
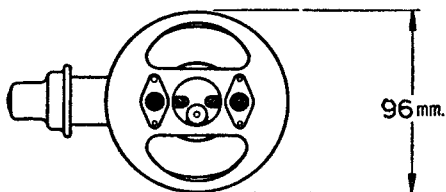


3Q/191E

# Water-Cooled R.F. Triode



3Q/191E



5430-O