



R. F. Triode

For Operation at full input
rating up to 100 Mc/s

4356A

3B/505E
(4356A)

CATHODE.

Thoriated tungsten filament

Voltage	5	V
Nominal current	5	A
Peak emission	2	A

RATING.

Amplification factor	{ Measured at V_a 500 V I_a 100 mA }	45	
Impedance		12,000	Ω

DIRECT INTER-ELECTRODE CAPACITIES.

Grid to anode	2.25	pF
Grid to filament	4.0	pF
Anode to filament	0.9	pF

DIMENSIONS.

Maximum overall length	133	mm.
Maximum diameter	63.5	mm.
Base		Special
Net weight	100	g.

MAXIMUM CONDITIONS FOR SAFE OPERATION.

Maximum direct anode voltage	1,500	V
Maximum direct anode current	120	mA
Maximum anode dissipation	50	W
Maximum direct grid current	35	mA
Maximum frequency for above ratings	100	Mc/s
Maximum anode voltage for maximum frequency limit of 250 Mc/s	1,000	V

The valve should be operated in a vertical position and a free circulation of air must be provided to ensure adequate cooling of the bulb. This is of particular importance when two or more valves are used.

3B/505E
(4356A)

R. F. Triode
For Operation at full input
rating up to 100 Mc/s
4356A



TYPICAL OPERATING CONDITIONS.

RADIO FREQUENCY.

Class B Telephony. Modulated Carrier applied to Grid.

(Carrier conditions per valve for use with 100% modulation).

Direct anode voltage	1,500	V
Grid bias	-30	V
Direct anode current	50	mA
Peak R.F. grid voltage peak of modulation cycle	145	V
Power output	25	W

Class C Power Amplifier. Anode subjected to modulation

(Carrier conditions per valve for use with 100% modulation).

Direct anode voltage	1,250	V max.
Grid bias	-160	V
Direct anode current	100	mA
Peak R.F. grid voltage	290	V
Power output	88	W

Class C Power Amplifier or Oscillator, unmodulated.

Direct anode voltage	1,500	V
Grid bias	-72	V
Direct anode current	100	mA
Peak R.F. grid voltage	190	V
*Direct grid current	22.5	mA
		(approx.)
Power output	100	W

* Subject to wide variation depending upon the impedance of the load circuit.

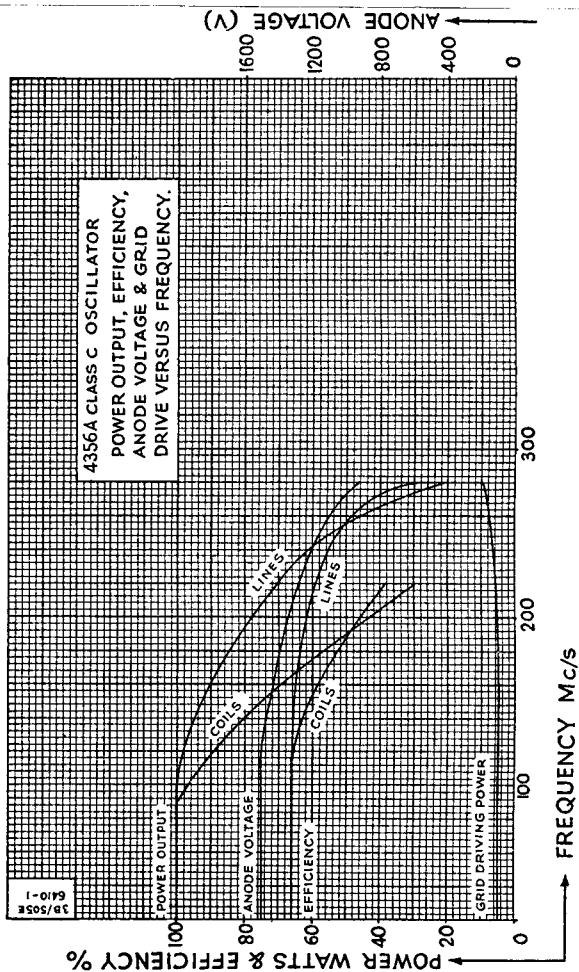


3B/505E
(4356A)

R. F. Triode

For Operation at full input
rating up to 100 Mc/s

4356A



Tentative data
January 1946

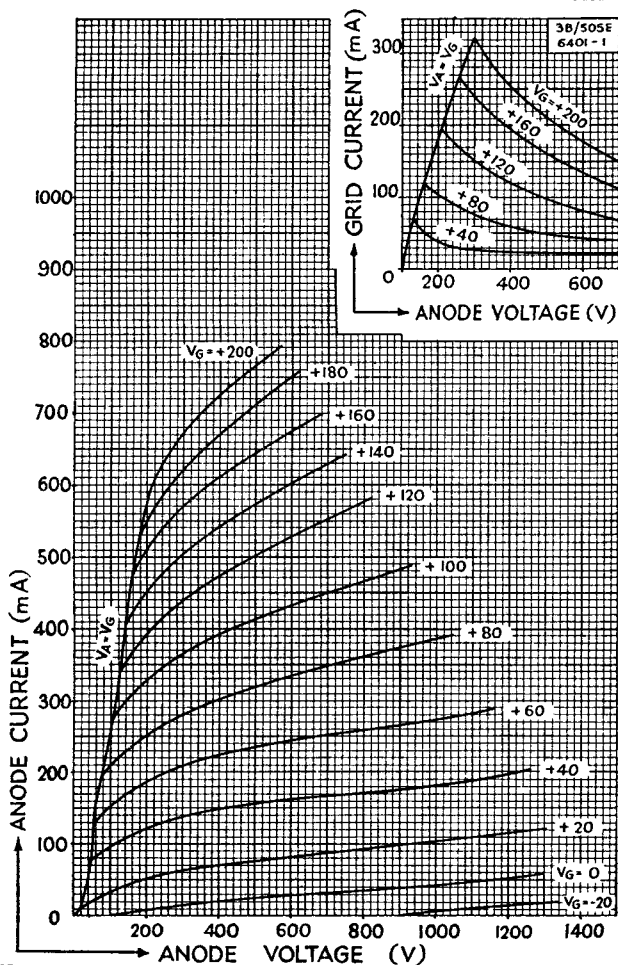
3B/505E-3

3B/505E
(4356A)

R. F. Triode

For Operation at full input
rating up to 100 Mc/s

4356A



Tentative data
January 1946

3B/505E-4

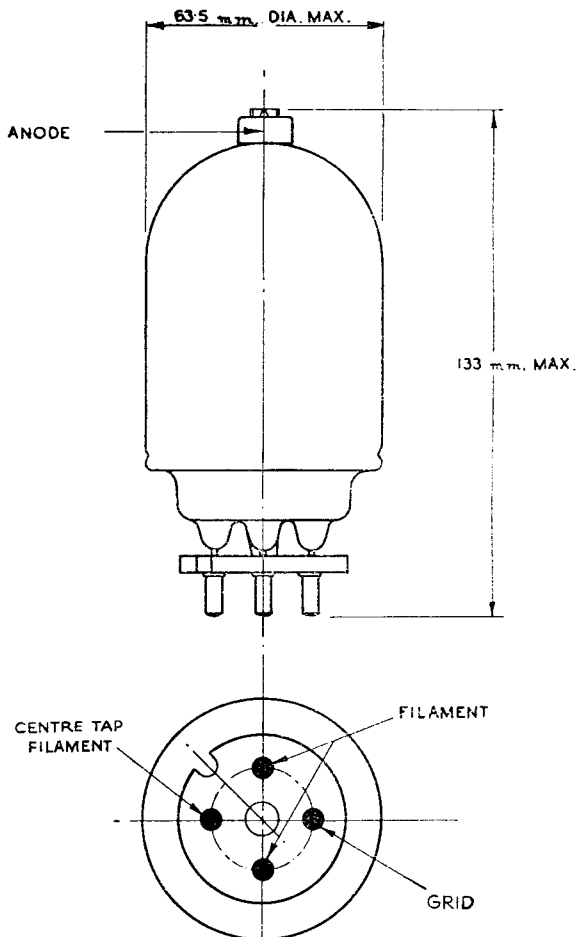


3B/505E
(4356A)

R. F. Triode

For Operation at full input
rating up to 100 Mc/s

4356A



Tentative data
January 1946

3B/505E-5