

PHANOTRON

The GL-8008 is a half-wave, mercury-vapor rectifier tube designed to withstand high peak inverse voltages and to conduct at relatively low applied

voltages. The ratings are the same as those for the 872-A. The 8008, however, has a Super-Jumbo push-type base.

◆ TECHNICAL INFORMATION

GENERAL

Electrical	Minimum	Bogey	Maximum
Filament voltage	4.75	5.0	5.25 volts
Filament current at 5.0 volts		7.5	8.0 amperes
Cathode heating time required30		seconds
Anode voltage drop, typical		15	volts
Critical anode voltage			50 volts

Mechanical

Type of cooling—Convection

Equilibrium condensed-mercury-temperature rise above ambient

At full load, approximate 20 C

At no load, approximate 14 C

Mounting position—Vertical, base down

Net weight, maximum 7.5 ounces

◆ Technical information completely revised.



Electronic
TUBE

GENERAL  ELECTRIC

Supersedes ETI-256 dated 12-45

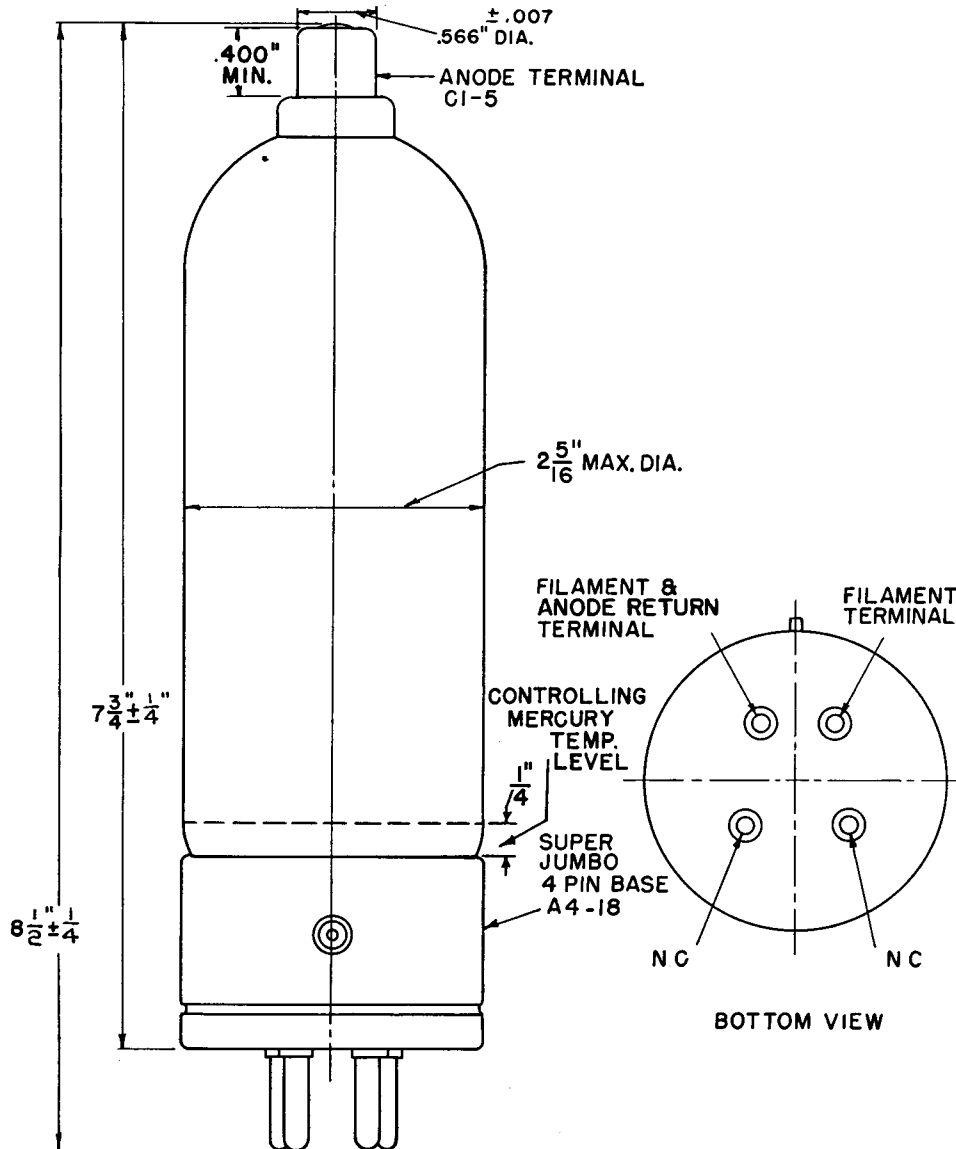
TECHNICAL INFORMATION (CONT'D)

MAXIMUM RATINGS, Absolute Values

Maximum peak inverse anode voltage.....	5000	10,000	volts
Maximum cathode current			
Peak.....	5.0	5.0	amperes
Average.....	1.25	1.25	amperes
Surge (maximum duration 0.2 second).....	50	50	amperes
Maximum averaging time.....	15	15	seconds
Maximum frequency.....	150	150	cycles per second
Condensed-mercury temperature limits.....	+20 to +70	+20 to +60	C

OUTLINE

◆ GL-8008 PHANOTRON



N-21502AZ
◆ Drawing revised.

9-7-45

TUBE DEPARTMENT



Schenectady 5, N. Y.