



EITEL-McCULLOUGH, INC.
SAN CARLOS, CALIFORNIA

TENTATIVE DATA

4CX600A

(formerly X2009)

The 4CX600A is a compact radial-beam tetrode with low lead inductances and low inter-electrode capacitances, designed for use in distributed amplifiers and in UHF service up to 1300 Mc. Maximum plate dissipation is 600 watts.

A feature of this tube is the integral screen-cathode by-pass capacitor. One side of the heater is terminated in a "deck" attached to this capacitor while the other heater contact is brought out on a pin on the tube base. The control grid is brought out to four threaded pins on the base.

GENERAL CHARACTERISTICS

ELECTRICAL

Heater Voltage	-	-	-	-	-	-	-	6.0	Volts
Current (average)	-	-	-	-	-	-	-	4.8	Amperes
Cathode: Oxide-coated, Unipotential									
Amplification Factor	-	-	-	-	-	-	-	-	8
Transconductance ($I_b = 300$ mA)	-	-	-	-	-	-	-	25,000	umhos
Frequency for maximum ratings	-	-	-	-	-	-	-	1300	Mc
Interelectrode capacitances:									
Input	-	-	-	-	-	-	-	42	uuf
Output	-	-	-	-	-	-	-	10	uuf
Screen-cathode	-	-	-	-	-	-	-	110	uuf

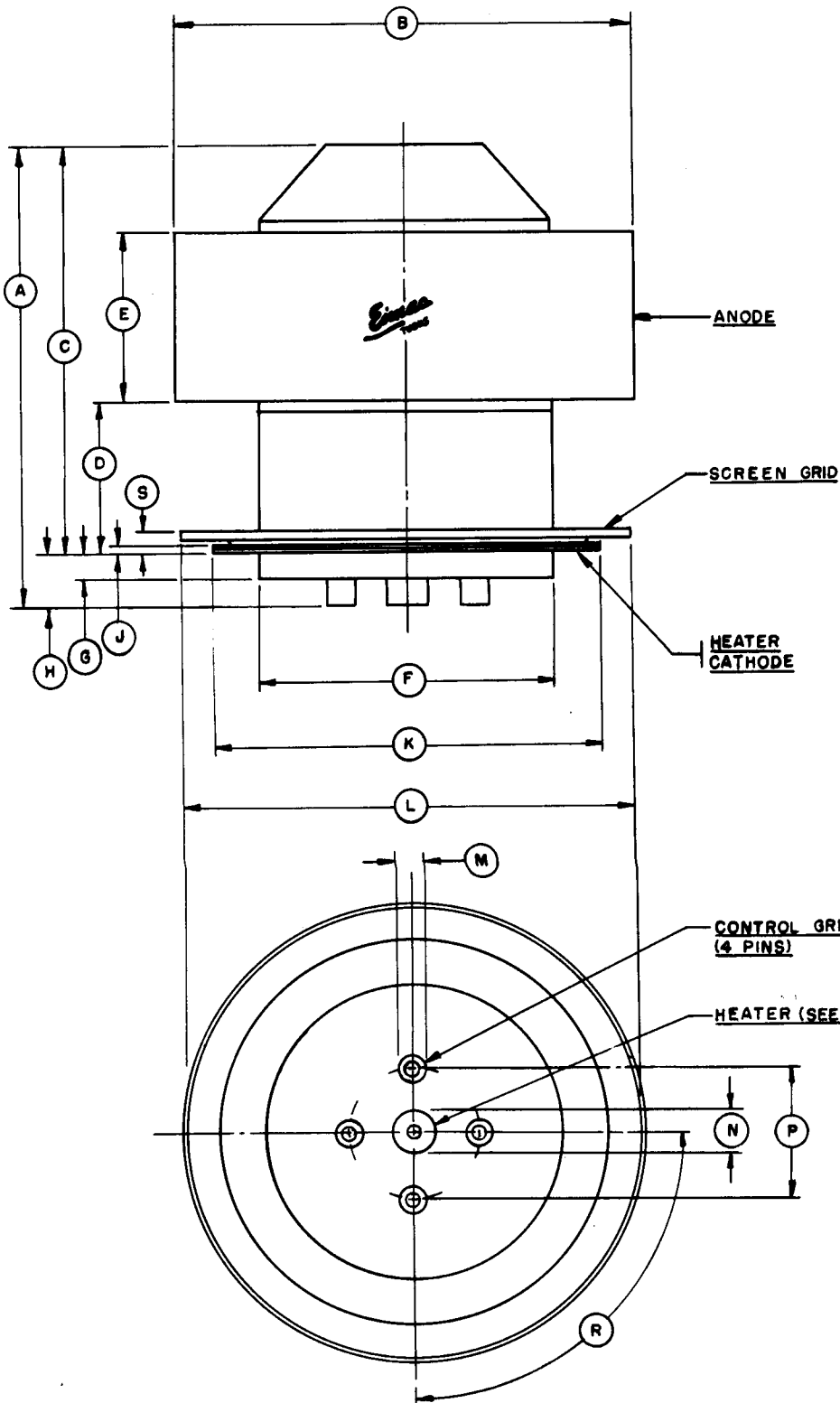
MECHANICAL

Base	-	-	-	-	-	-	-	5	Pin, Special
Maximum operating temperatures:									
Anode core	-	-	-	-	-	-	-	250°	C
Ceramic-metal seals	-	-	-	-	-	-	-	250°	C
Cooling	-	-	-	-	-	-	-	-	Forced air

MAXIMUM RATINGS Class-C Amplifier

DC Plate Voltage	-	-	-	-	-	-	-	3000	Max. Volts
DC Screen Voltage	-	-	-	-	-	-	-	400	Max. Volts
DC Grid Voltage	-	-	-	-	-	-	-	-150	Max. Volts
DC Plate Current	-	-	-	-	-	-	-	500	Max. mA
Plate Dissipation	-	-	-	-	-	-	-	600	Max. Watts
Screen Dissipation	-	-	-	-	-	-	-	15	Max. Watts
Grid Dissipation	-	-	-	-	-	-	-	3	Max. Watts

This information applies to a tentative tube design and is subject to change. Further application information is available from Power Grid Tube Marketing, Eitel-McCullough, Inc., San Carlos, California.



DIMENSIONS IN INCHES

DIMENSIONAL DATA			
REF.	MIN.	MAX.	NOM.
A	2.050	2.200	
B	2.030	2.080	
C	1.750	1.900	
D	.645	.760	
E	.710	.790	
F	1.305	1.325	
G	.110	.135	
H	.295	.350	
J	.035	.050	
K	1.710	1.750	
L	1.900	2.025	
M	NOTE 1	NOTE 1	
N	NOTE 1	NOTE 1	
P	.550	.600	
R	88°	92°	
S	.120	.160	

- NOTES:**
1. MEASURED .100 INCHES FROM END OF PIN
 2. *2-56 UNC-2B X 3/16 DEEP TAP