



Triode Type CAM 2

ABSORBER OR MODULATING VALVE

General. A water-cooled triode fitted with a tungsten filament.

Cooling. The anode forms part of the valve envelope and is designed for cooling by water circulated in direct contact with the anode. The rated flow should not be less than 2 gallons per minute. The temperature of the cooling water at the outlet must not exceed 65°C (150°F). The cooling supply must be started before the application of any supply voltages.

Filament Starting. The filament current must never exceed 36 A at any time during the switching-on period.

Mounting. The valve must be completely supported by its water jacket with its axis in a vertical position. Rigid connections must be made to anode only.

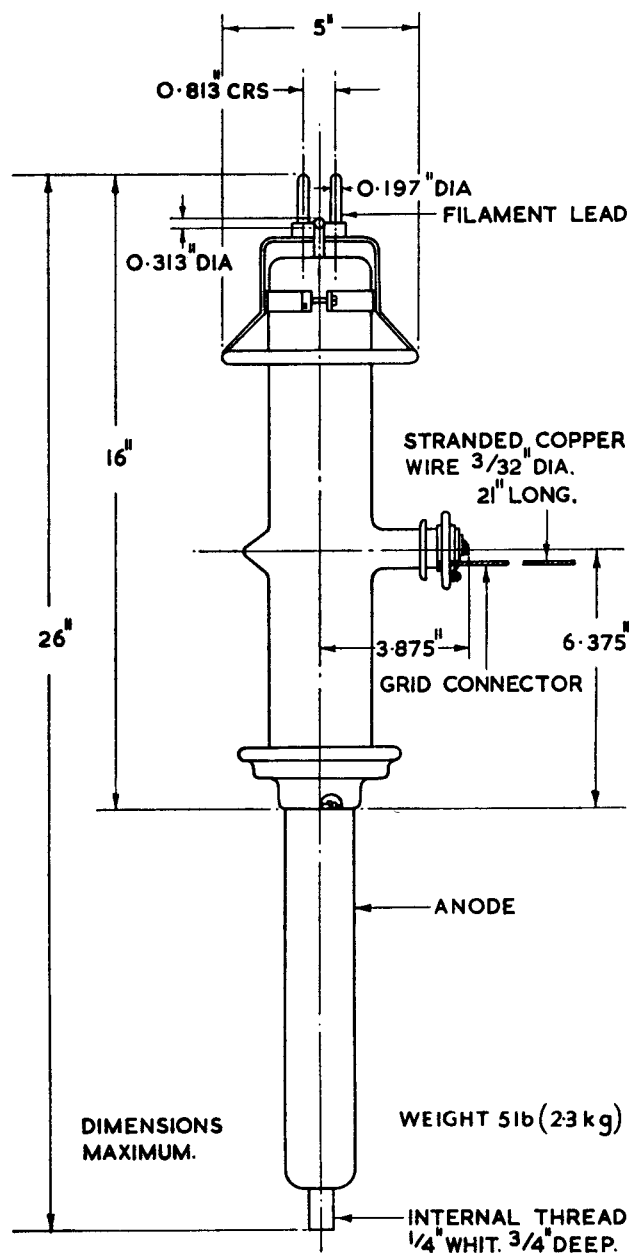
Operation. The valve is specially designed for use as an absorber, but is also suitable for use as a modulator. It is not recommended for use as a transmitting valve owing to the comparatively low filament voltage.

When the valve is used as an absorber care must be taken during the period it is conductive to prevent the grid being overloaded. The anode voltage should not be allowed to fall below 600 V or the grid voltage rise above +300 V.

APPROXIMATE DATA

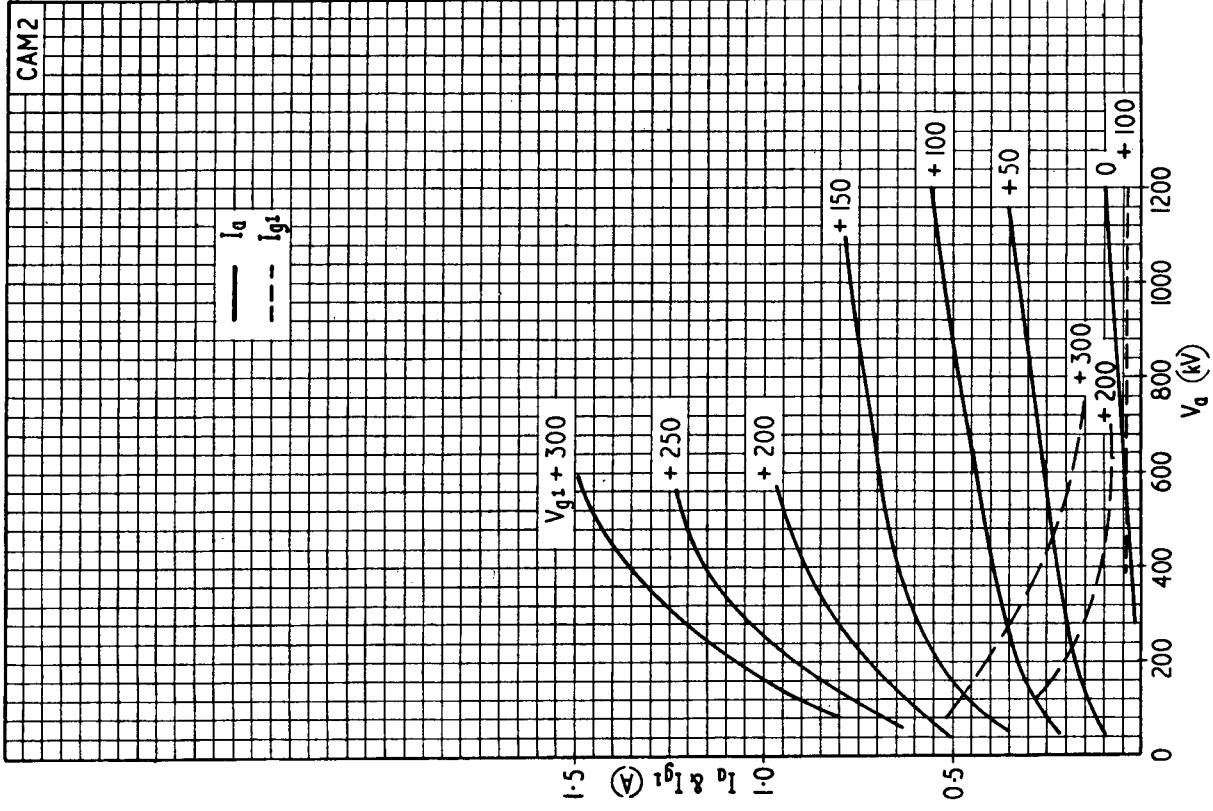
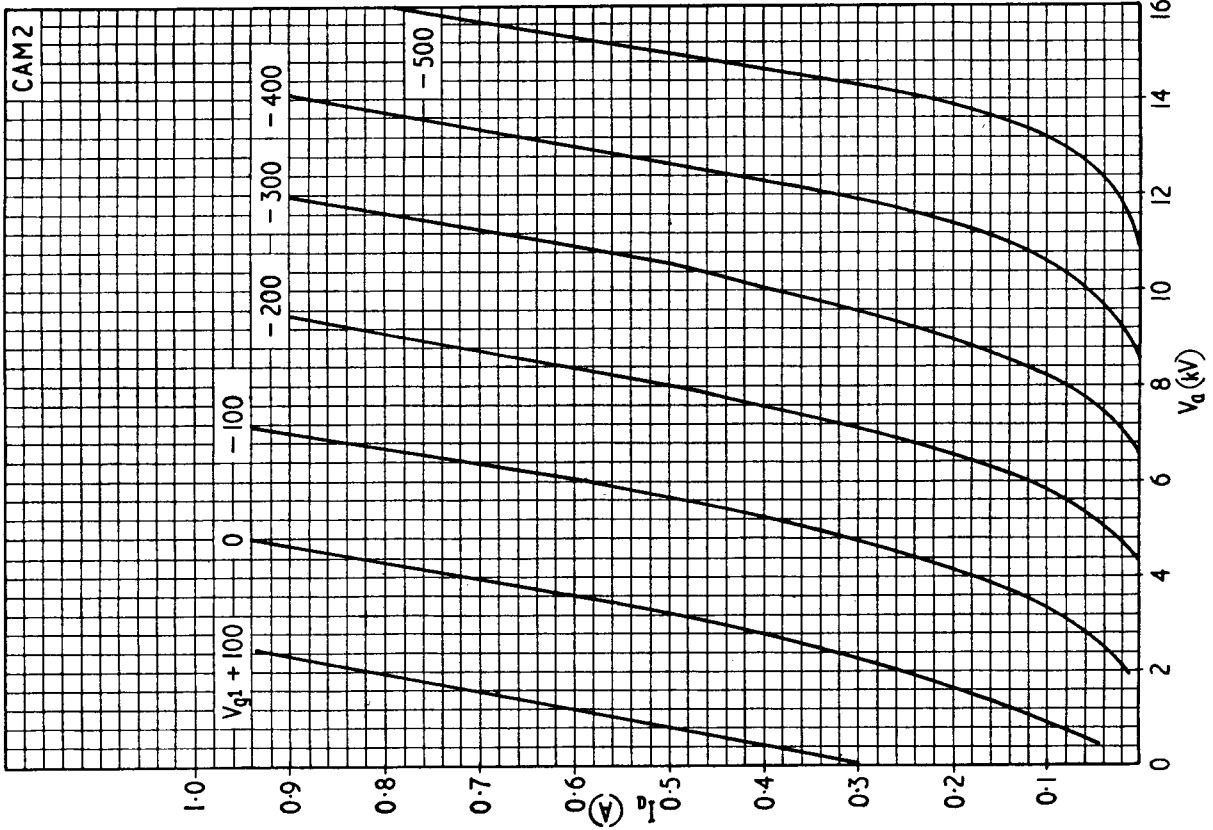
V_f	16.5 - 17.5	V
I_f	24	A
V_a (max)	12	kV
P_a (max)	5	kW
μ	} taken at V_a 10 kV, V_{g1} -300 V {	} 25 5,000
r_a		
C_{a-g1}	18.0	pF
C_{a-k}	2.3	pF
C_{g1-k}	23.0	pF

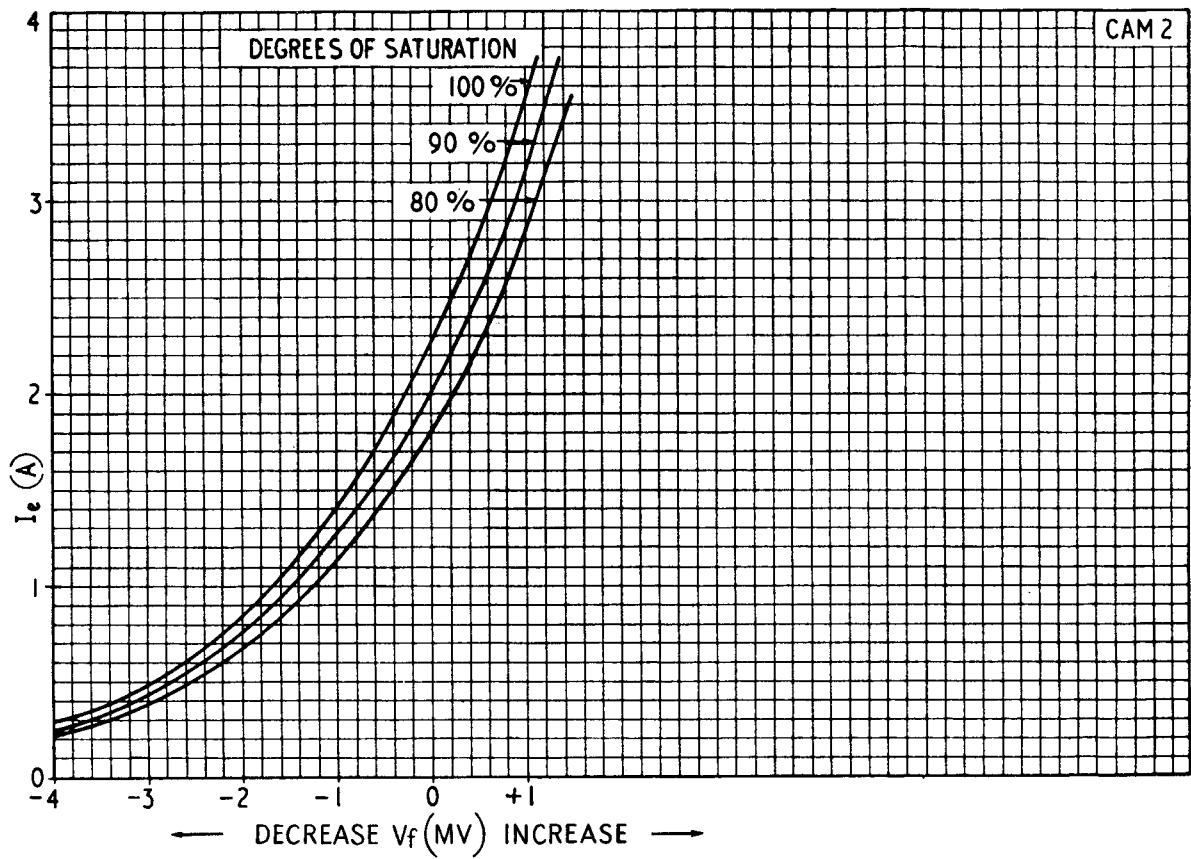
Each valve is marked with the filament voltage to give 2 A emission at 90% saturation.



MARCONI'S WIRELESS TELEGRAPH COMPANY LIMITED

Head Office: Marconi House, Chelmsford, England. Telephone: Chelmsford 3221. Telegraphic Address: Expanse, Chelmsford







PRINTED IN ENGLAND