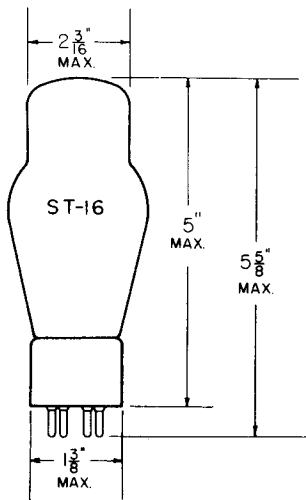
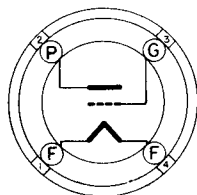


## TUNG-SOL

## TRIODE POWER AMPLIFIER



GLASS BULB

THORIATED TUNGSTEN  
FILAMENTFILAMENT  
7.5 VOLTS 1.25 AMPERES  
AC OR DCBOTTOM VIEW  
MEDIUM 4-PIN  
BAYONET BASEVERTICAL  
MOUNTING POSITION

TYPE 10 IS A HIGH-VACUUM, FILAMENT TYPE POWER AMPLIFIER TRIODE. IT MAY BE USED IN AUDIO STAGES AS A CLASS A AMPLIFIER OR, IN PUSH-PULL ARRANGEMENT, AS A CLASS B AMPLIFIER.

## RATINGS

INTERPRETED ACCORDING TO RMA STANDARD W8-210

## CLASS A AMPLIFIER

FILAMENT VOLTAGE (AC OR DC)	7.5	VOLTS
FILAMENT CURRENT	1.25	AMP.
MAX. DC PLATE VOLTAGE	425	VOLTS
MAX. PLATE DISSIPATION	12	WATTS

## CLASS B AMPLIFIER

FILAMENT VOLTAGE (AC OR DC)	7.5	VOLTS
FILAMENT CURRENT	1.25	AMP.
MAX. DC PLATE VOLTAGE	425	VOLTS
MAX. PLATE DISSIPATION (AVERAGED OVER ANY CYCLE)	12	WATTS
MAX.-SIGNAL, MAX. DC PLATE CURRENT (PER TUBE)	60	MA.
MAX.-SIGNAL, MAX. PLATE INPUT (PER TUBE)	25	WATTS

## DIRECT INTERELECTRODE CAPACITANCES (APPROX.)

GRID TO PLATE	7	$\mu\mu\text{f}$
INPUT	4	$\mu\mu\text{f}$
OUTPUT	3	$\mu\mu\text{f}$

PLATE  
1628  
NOV. 30  
1945

CONTINUED ON FOLLOWING PAGE

## TUNG-SOL

CONTINUED FROM PRECEDING PAGE

## TYPICAL OPERATING CONDITIONS AND CHARACTERISTICS

## CLASS A AMPLIFIER

AC FILAMENT VOLTAGE	7.5	7.5	7.5	VOLTS
DC PLATE VOLTAGE	250	350	425	VOLTS
DC GRID VOLTAGE <sup>A</sup>	-23.5	-32	-40	VOLTS
PEAK GRID SWING	18.5	27	35	VOLTS
DC PLATE CURRENT	10	16	18	MA.
CATHODE RESISTOR	2350	2000	2220	OHMS
PLATE RESISTANCE	6000	5150	5000	OHMS
LOAD RESISTANCE	13 000	11 000	10 200	OHMS
TRANSCONDUCTANCE	1330	1550	1600	μMHOS
AMPLIFICATION FACTOR	8	8	8	
UNDISTORTED POWER OUTPUT	0.4	0.9	1.6	WATTS

CLASS B AMPLIFIER  
TWO TUBES

AC FILAMENT VOLTAGE	7.5	7.5	7.5	VOLTS
DC PLATE VOLTAGE	250	350	425	VOLTS
DC GRID VOLTAGE <sup>A</sup> (APPROX.)	-28	-40	-50	VOLTS
PEAK AF GRID VOLTAGE (APPROX.)	110	120	130	VOLTS
ZERO-SIGNAL DC PLATE CURRENT (PER TUBE)	4	4	4	MA.
MAX.-SIGNAL DC PLATE CURRENT (PER TUBE)	55	55	55	MA.
LOAD RESISTANCE (PER TUBE)	1000	1500	2000	OHMS
EFFECTIVE PLATE-TO-PLATE LOAD RESISTANCE	4000	6000	8000	OHMS
MAX.-SIGNAL DRIVING POWER (APPROX.)	2.1	2.3	2.5	WATTS
MAX.-SIGNAL POWER OUTPUT (APPROX.)	13	20	25	WATTS

<sup>A</sup> GRID-VOLTAGE MEASURED FROM MID-POINT OF AC OPERATED FILAMENT.