

# —Standard Valves—

3B/101-B

## VALVE TYPE 3B/101-B

TRIODE.

### SPECIFICATION.

#### Cathode.

Indirectly heated oxide coated.  
Constant voltage type.

#### Base.

Standard British 5-pin.

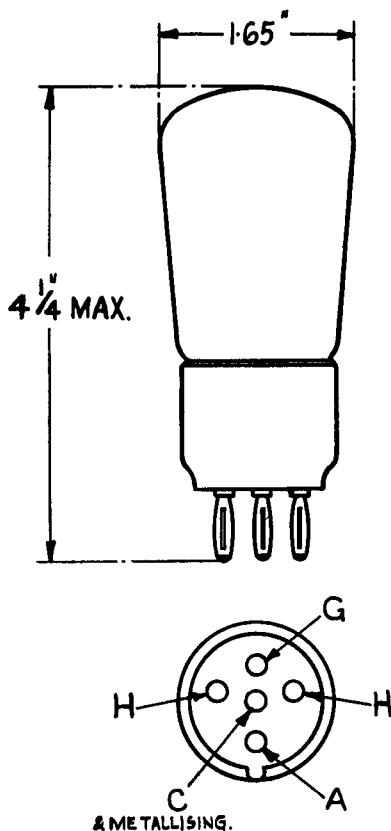
#### Dimensions.

Maximum overall length  $4\frac{1}{4}$ " (10.8 cms.)  
Bulb diameter 1.65" (4.2 cms.)  
Net weight 0.11 lbs. (50 gms.)

#### Constants.

Heater voltage	4 volts
Nominal heater current	1.0 amps.
*Amplification factor	50
*Impedance	10,000 ohms
*Mutual conductance	5.0 mA. per volt
Grid-anode capacity	5.3 $\mu\mu\text{F}$ .
Grid-cathode capacity	10.5 $\mu\mu\text{F}$ .
Anode-cathode capacity	7.5 $\mu\mu\text{F}$ .

\* at  $V_p = 200$ ,  $V_{g_1} = -2$  volts.



### LIMITING CONDITIONS FOR SAFE OPERATION.

Maximum direct anode voltage	200 volts
Maximum direct anode current	25 mA.

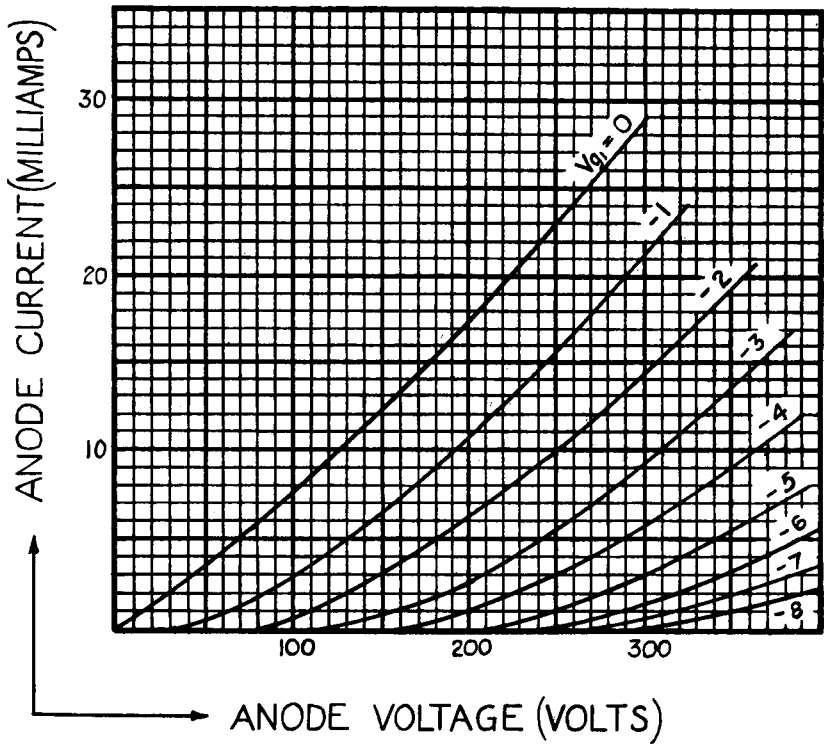
Tentative data

W.3B/101-B.1  
April 1939

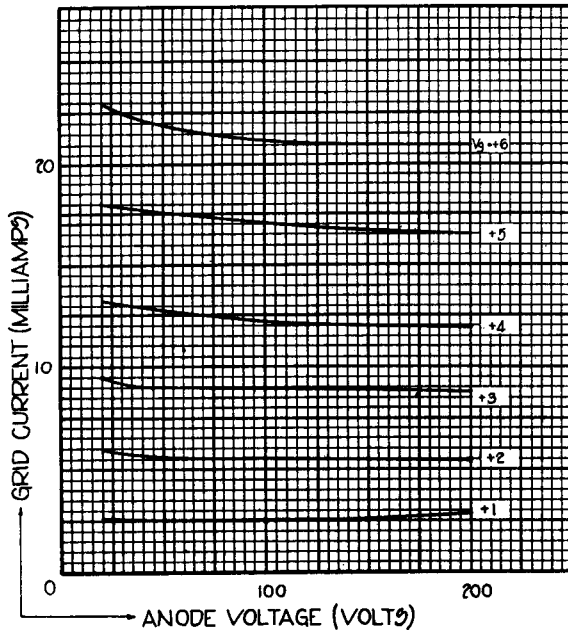
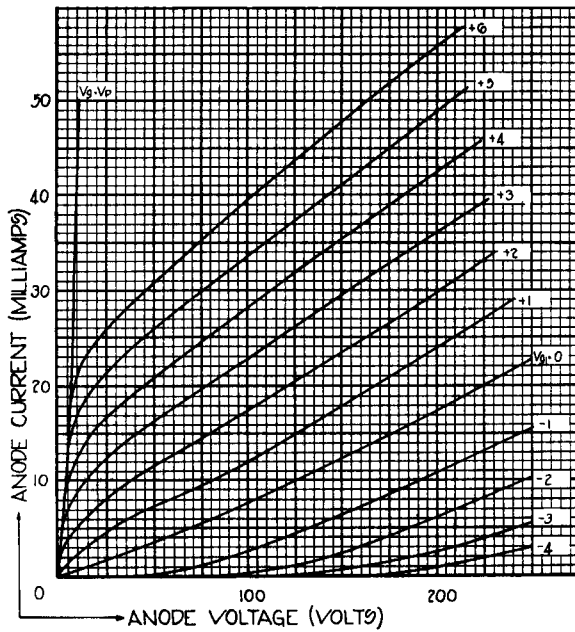
# —Standard Valves—

## TYPICAL OPERATING CONDITIONS.

Anode Voltage Volts	Grid Bias Volts	Anode Current mA.	Load Resistance Ohms	Power Output mW.	Total Harmonics db.
100	—1	2.8	22,000	5	31.5
100	—1	2.8	22,000	10	31
150	—1.5	4.5	28,000	5	32
150	—1.5	4.5	28,000	20	27
200	—2	6.0	34,000	5	34
200	—2	6.0	34,000	20	29
200	—2	6.0	34,000	30	27



# —Standard Valves—



PRINTED IN  
ENGLAND