

# —Standard Valves—

22V/310-A

## VALVE TYPE 22V/310-A

FULL WAVE MERCURY VAPOUR RECTIFIER.

### SPECIFICATION.

#### Cathode.

Oxide coated filament.  
Constant voltage type.

#### Base.

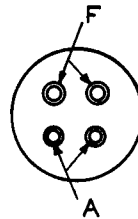
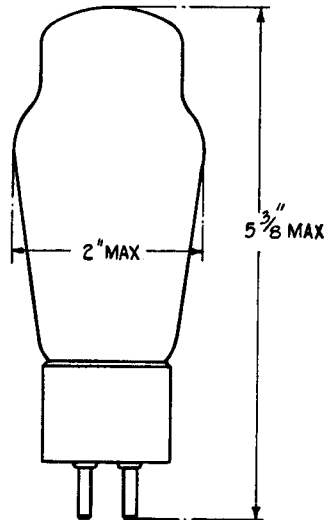
American Medium 4-pin.

#### Dimensions.

Maximum overall length  $5\frac{3}{8}$ " (13.6 cms.)  
Maximum diameter 2" (5.1 cms.)  
Net weight 0.13 lbs. (60 gms.)

#### Constants.

Filament voltage	5 volts
Nominal filament current	3 amps.
Maximum peak inverse voltage	1,400 volts
Maximum peak anode current	0.8 amps.
D.C. output current continuous	250 mA.



#### Operation.

When this valve is operated with the anodes in parallel, a resistance of not less than 50 ohms should be connected in series with each anode in order that each shall carry its proper share of the load. The resistances should be increased to 100 ohms each if the load is less than 75 per cent. of the maximum current rating of the valve.

PRINTED IN  
ENGLAND