

RECTIFIER TUBE

NL-618

INERT-GAS-FILLED RECTIFIER TUBE

6.4 Amperes dc



NATIONAL POWER TUBE NL-618 is a sturdy rectifier tube designed especially for industrial power rectifier and control applications. It is xenon-filled for efficiency, compactness, and the ability to operate within very wide temperature limits. NL-618 utilizes a No. 412 Industrial 4-pin base. It is available with a bracket base for panel mounting under the type number NL-618P, also with the new NATIONAL-designed lug type base under type number NL-618L.

NATIONAL ELECTRONICS, INC.

GENEVA, ILLINOIS, U. S. A.

NL-618 RECTIFIER TUBE

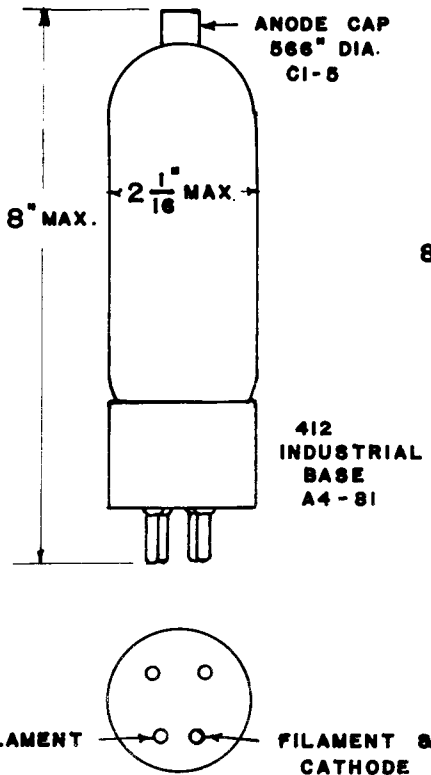
TECHNICAL INFORMATION

| | |
|---|--------------|
| dc Amperes output (maximum) | 6.4 |
| Instantaneous Amperes output (maximum) | 40 |
| Maximum time of averaging anode current (seconds) | 20 |
| Maximum peak inverse volts | 900 |
| Max. commutation factor (V/u sec. x A/u sec.) | 0.66 |
| Filament volts | 2.5 |
| Filament amperes | 18 ± 2 |
| Filament heating time (seconds) | 60 |
| Typical arc drop at 20 amperes peak (volts) | 9 |
| Typical Anode starting voltage (volts) | 20 |
| Maximum ac short circuit current (amperes) | 770 |
| Ambient temperature limits (°C) | - 55 to + 75 |
| Mounting position | Any |
| Net Weight (ounces) | 6 |
| Approx. shipping weight (lbs.) | 4 |

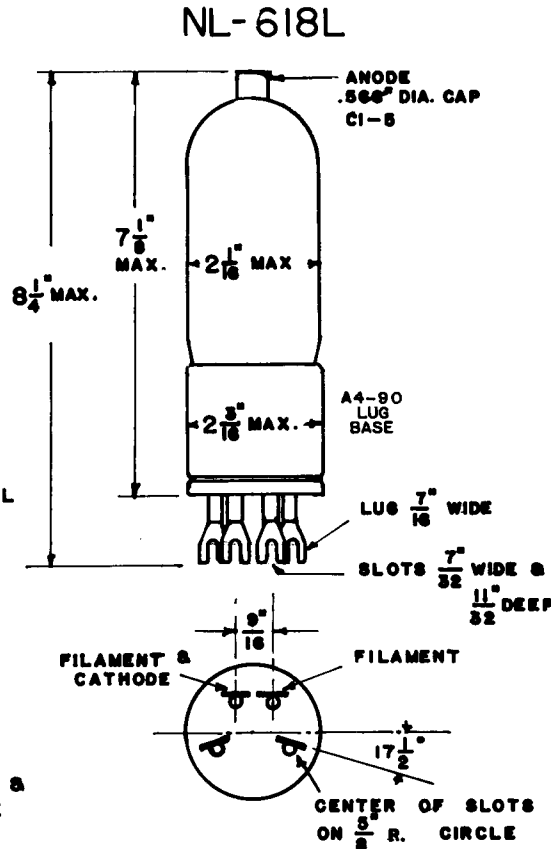
Note: Max. base shell to lead voltage, 1500 Vrms.

ALL DATA ARE BASED ON RETURNS TO FILAMENT TRANSFORMER CENTER TAP
LIGHT FILAMENT BEFORE APPLYING LOAD

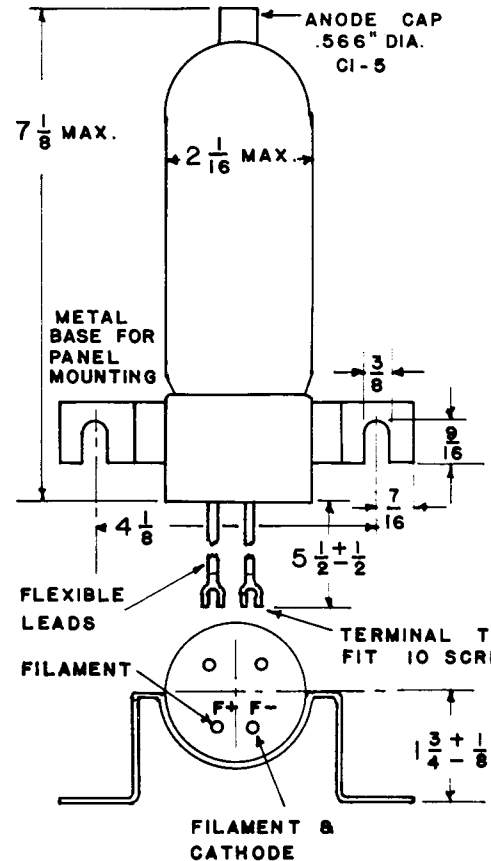
OUTLINE DRAWING
NL-618



OUTLINE DRAWING
NL-618L



OUTLINE DRAWING
NL-618P



Printed in USA 10/57

NATIONAL ELECTRONICS, INC.

GENEVA, ILLINOIS, U. S. A.