

Oscillograph-Type Cathode-Ray Tube

8-INCH DIAMETER
ELECTROSTATIC DEFLECTION

POST-DEFLECTION ACCELERATOR
ELECTROSTATIC FOCUS

For General Oscillographic Applications in which Low-Speed or Medium-Speed Recurrent-Wave Phenomena are to be Observed

ELECTRICAL

Heater Current at 6.3 V	0.6	A
Direct Interelectrode Capacitances (Approx.)		
Grid-No.1 to all other electrodes	6	pF
Cathode to all other electrodes	7.5	pF
DJ1 to DJ2.	3	pF
DJ3 to DJ4.	2	pF
DJ1 to all other electrodes	9	pF
DJ2 to all other electrodes	9	pF
DJ3 to all other electrodes	7	pF
DJ4 to all other electrodes	7	pF
Focusing Method	Electrostatic	
Deflection Method	Electrostatic	

OPTICAL

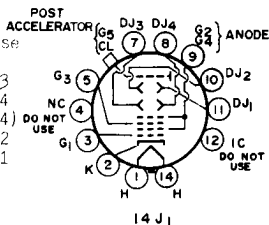
Phosphor.	P31
Fluorescence and phosphorescence.	Green
Persistence	Medium-Short
Faceplate	Clear Glass
Shape	Curved, Circular
Minimum Useful Screen Diameter.	7 in

MECHANICAL

Operating Position.	Any
Weight (Approx.).	3 lb
Overall Length.	16.50 ± 0.38 in
Greatest Diameter	8.50 in
Bulb.J67A1A
Base.	Medium-Shell Diheptal 12-Pin (JEDEC No.B12-37)

TERMINAL DIAGRAM (Bottom View)

- Pin 1 - Heater
 Pin 2 - Cathode
 Pin 3 - Grid No.1
 Pin 4 - No Connection - Do Not Use
 Pin 5 - Grid No.3
 Pin 7 - Deflecting Electrode DJ3
 Pin 8 - Deflecting Electrode DJ4
 Pin 9 - Anode (Grids No.2 & No.4)
 Pin 10 - Deflecting Electrode DJ2
 Pin 11 - Deflecting Electrode DJ1
 Pin 12 - Internal Connection -
 Do Not Use
 Pin 14 - Heater
 Cap - Post-Accelerator
 (Grid No.5 & Collector)



ABSOLUTE-MAXIMUM AND MINIMUM RATINGS

Post-Deflection Accelerator Voltage	8000 max	V
Anode Voltage	4000 max	V
Grid-No.3 (Focusing-Electrode) Voltage.	2000 max	V
Grid-No.1 Voltage		
Negative bias value	200 max	V
Positive bias value	0 max	V
Positive peak value	2 max	V
Heater Voltage.	{ 6.9 max	V
	{ 5.7 min	V
Peak Heater-Cathode Voltage		
Heater negative with respect to cathode . . .	125 max	V
Heater positive with respect to cathode . . .	125 max	V

TYPICAL OPERATING VALUES

*Unless otherwise specified all values
are positive with respect to cathode*

Post-Deflection Accelerator Voltage	6000	V
Anode Voltage	3000	V
Grid-No.3 (Focusing-Electrode) Voltage.	750 to 1200	V
Grid-No.1 Voltage	-58 to -93	V
For visual cutoff of focused spot		
Deflection Factors		
DJ1 and DJ2	107 to 129	V (dc)/in
DJ3 and DJ4	85 to 101	V (dc)/in

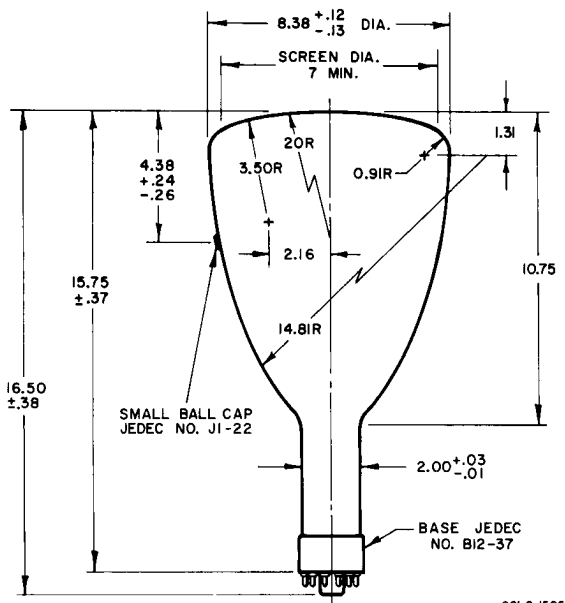
MAXIMUM CIRCUIT VALUES

Grid-No.1-Circuit Resistance.	1.5 max	MΩ
Resistance in any Deflection Electrode Circuit ^a	5 max	MΩ

^a It is recommended that the deflecting-electrode-circuit resistances be approximately equal.



DIMENSIONAL OUTLINE



92LS-1505

DIMENSIONS IN INCHES

Center line of bulb will not deviate more than 2° in any direction from the perpendicular erected at the center of bottom of the base.

The plane through the tube axis and pin 5 may vary from the trace produced by DJ1 and DJ2 by an angular tolerance (measured about the tube axis) of $\pm 10^\circ$. Angle between DJ1 - DJ2 trace and DJ3 - DJ4 trace is $90^\circ \pm 3^\circ$.

DJ1 and DJ2 are nearer the screen; DJ3 and DJ4 are nearer the base. With DJ1 positive with respect to DJ2; the spot will be deflected toward pin 5; likewise, with DJ3 positive with respect to DJ4, the spot will be deflected toward pin 2.

