

Picture Tube

PAN-O-PLY TYPE
 110° MAGNETIC DEFLECTION LOW-VOLTAGE ELECTROSTATIC FOCUS

Direct Interelectrode Capacitances

Cathode to all other electrodes.	5	pF
Grid No.1 to all other electrodes.	6	pF
External conductive coating to anode	500 min—750 max	pF
Heater Current at 6.3 V.	450 ± 20	mA
Heater Warm-Up Time (Average).	11	s
Electron Gun	Type Requiring No Ion-Trap Magnet	

OPTICAL

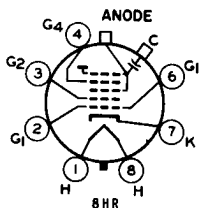
Phosphor	P4—Sulfide Type, Aluminized
For curves, see front of this section	
Faceplate.	Filterglass
Light transmission at center (approx.).	52%

MECHANICAL

Weight (Approx.)	4 lb
Overall Length	8.785 ± .250 in
Neck Length.	4.125 ± .125 in
Projected Area of Screen	60 sq in
External Conductive Coating ^a	
Type (See CRT OUTLINES I at front of this section)	Regular-Band
Contact area for grounding	Near Reference Line
Cap.	Recessed Small Cavity (JEDEC No. J1-21)
Base	Small-Button Neoeightar 7-Pin, Arrangement I, (JEDEC No. B7-208)

TERMINAL DIAGRAM (Bottom View)

- Pin 1—Heater
- Pin 2—Grid No.1
- Pin 3—Grid No.2
- Pin 4—Grid No.4
- Pin 6—Grid No.1
- Pin 7—Cathode
- Pin 8—Heater
- Cap—Anode (Grid No.3, Grid No.5, Screen, Collector)
- C—External Conductive Coating



MAXIMUM AND MINIMUM RATINGS, DESIGN-MAXIMUM VALUES

Voltages are positive with respect to cathode

Anode Voltage.	9000 min—15000 max	V
Grid-No.4 Voltage		
Positive value	1100 max	V
Negative value	550 max	V
Grid-No.2 Voltage.	100 min—250 max	V
Grid-No.1 Voltage		
Negative peak value.	220 max	V
Negative bias value.	155 max	V
Positive bias value.	0 max	V
Positive peak value.	2 max	V
Heater Voltage	5.7 min—6.9 max	V



11HP4A

Peak Heater-Cathode Voltage

Heater negative with respect to cathode:	
During equipment warm-up period ≤ 15 s	450 max V
After equipment warm-up period	300 max V
Heater positive with respect to cathode:	
Combined AC & DC voltage	200 max V
DC component	100 max V

TYPICAL OPERATING CONDITIONS FOR CATHODE-DRIVE SERVICE

Voltages are positive with respect to grid No.1

Anode Voltage.	11000 V
Grid-No.4 Voltage.	0 V
Grid-No.2 Voltage.	150 V
Cathode Voltage.	31 to 49 V

For visual extinction of focused raster

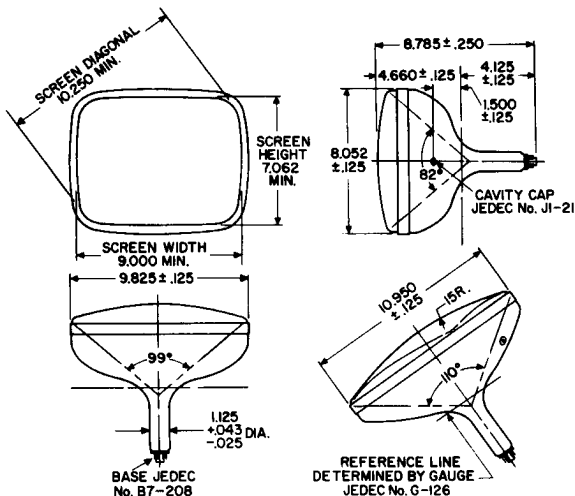
MAXIMUM CIRCUIT VALUE

Grid-No.1 Circuit Resistance	1.5 max $M\Omega$
--	-------------------

^a Includes implosion protection hardware.

For X-radiation shielding considerations, see sheet
X-RADIATION PRECAUTIONS FOR CATHODE-RAY TUBES at
 front of this section

DIMENSIONAL OUTLINE (BULB J87B)



92CS-14044

DIMENSIONS IN INCHES

