

Picture Tube

PAN-O-PLY TYPE

110° MAGNETIC DEFLECTION LOW-VOLTAGE ELECTROSTATIC FOCUS

Direct Interelectrode Capacitances

Cathode to all other electrodes.	5	pF
Grid No.1 to all other electrodes.	6	pF
External conductive coating to anode	500 min—750 max	pF
Heater Current at 6.3 V	450 ± 20	mA
Heater Warm-Up Time (Average).	11	s
Electron Gun	Type Requiring No Ion-Trap Magnet	

OPTICAL

Phosphor	P4—Sulfide Type, Aluminized
For curves, see front of this section	
Faceplate.	Filterglass
Light transmission at center (approx.)	79%

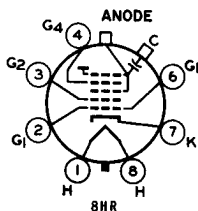
MECHANICAL

Weight (Approx.)	4 lb
Overall Length	8.785 ± .250 in
Neck Length.	4.125 ± .125 in
Projected Area of Screen	60 sq in
External Conductive Coating ^a	

Type (See CRT OUTLINES I at front of this section)	Regular-Band
Contact area for grounding	Near Reference Line
Cap.	Recessed Small Cavity (JEDEC No. J1-21)
Base	Small-Button Neoeightar 7-Pin, Arrangement 1, (JEDEC No. B7-208)

TERMINAL DIAGRAM (Bottom View)

- Pin 1—Heater
- Pin 2—Grid No.1
- Pin 3—Grid No.2
- Pin 4—Grid No.4
- Pin 6—Grid No.1
- Pin 7—Cathode
- Pin 8—Heater
- Cap—Anode (Grid No.3, Grid No.5, Screen, Collector)
- C—External Conductive Coating



MAXIMUM AND MINIMUM RATINGS, DESIGN-MAXIMUM VALUES

Voltages are positive with respect to cathode

Anode Voltage.	8000 min—15000 max	V
Grid-No.4 Voltage		
Positive value	1100 max	V
Negative value	550 max	V
Grid-No.2 Voltage.	200 min—550 max	V
Grid-No.1 Voltage		
Negative peak value.	220 max	V
Negative bias value.	155 max	V
Positive bias value.	0 max	V
Positive peak value.	2 max	V
Heater Voltage	5.7 min—6.9 max	V



11CP4

Peak Heater-Cathode Voltage

Heater negative with respect to cathode:

During equipment warm-up period ≤ 15 s. 450 max V

After equipment warm-up period 300 max V

Heater positive with respect to cathode:

Combined AC & DC voltage 200 max V

DC component 100 max V

TYPICAL OPERATING CONDITIONS FOR GRID-DRIVE SERVICE

Voltages are positive with respect to cathode

Anode Voltage. 12000 V

Grid-No.4 Voltage. 0 to 400 V

Grid-No.2 Voltage. 400 V

Grid-No.1 Voltage. -39 to -94 V

For visual extinction of focused raster

MAXIMUM CIRCUIT VALUE

Grid-No.1 Circuit Resistance 1.5 max Ω

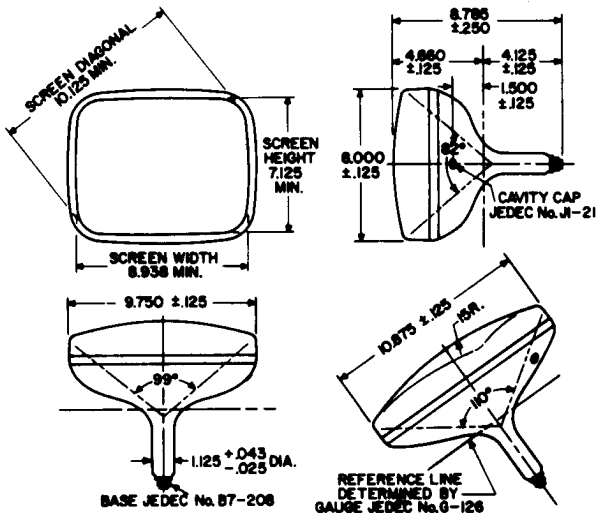
^a Includes implosion protection hardware.

For X-radiation shielding considerations, see sheet

X-RADIATION PRECAUTIONS FOR CATHODE-RAY TUBES at

front of this section

DIMENSIONAL OUTLINE (BULB J87A)



92CS-14055

DIMENSIONS IN INCHES

