

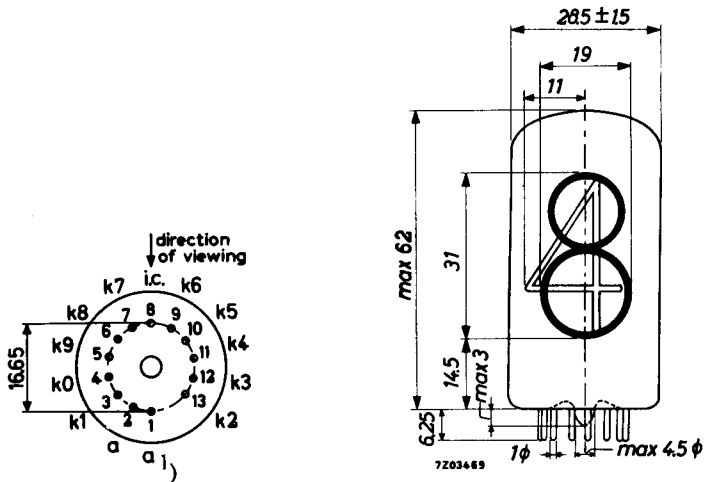
INDICATOR TUBE

The type ZM1042 is electrically identical with type ZM1040 but has no filter coating.
 The use of a separate blue absorbing, e.g. circular polarized amber filter is recommended.

DIMENSIONS AND CONNECTIONS

Dimensions in mm

Base: B13B



1) Pins 1 and 2 to be interconnected externally.