

ADMIRALTY SIGNAL ESTABLISHMENT

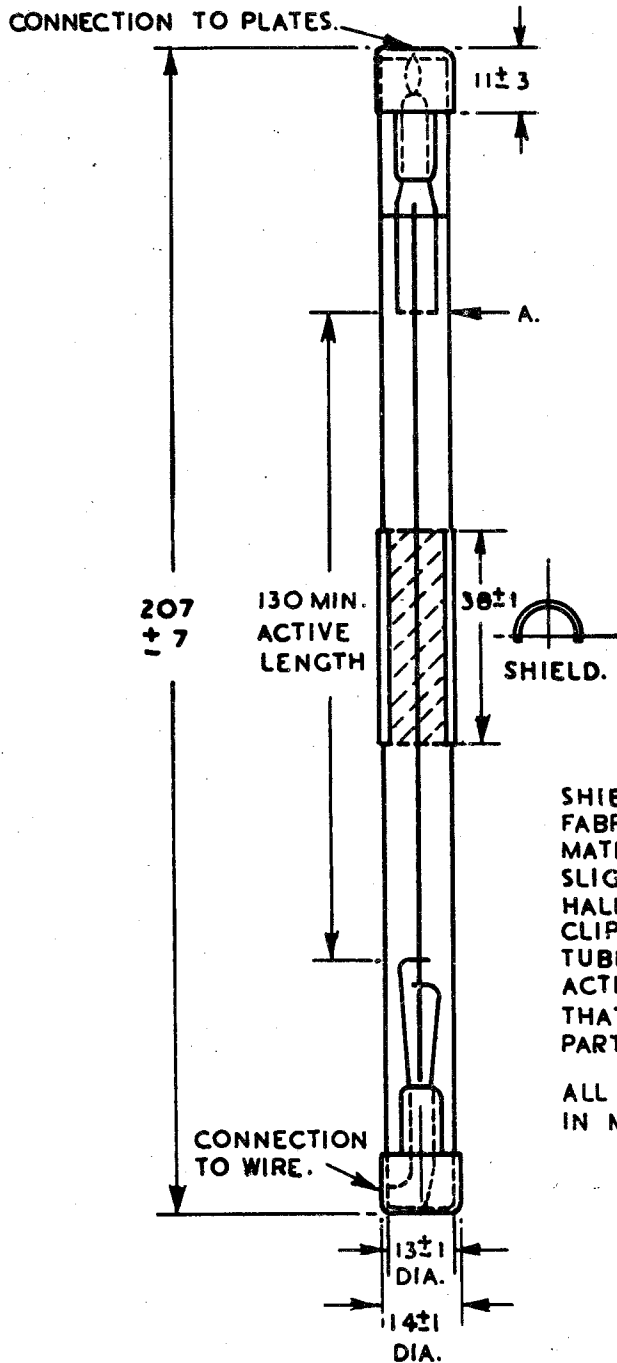
Specification AD/CV231/Issue 4. Dated 7.3.47. To be read in conjunction with K1001, ignoring clauses:- 5.2; 5.8.	<u>SECURITY</u>	
	<u>Specn.</u> Restricted	<u>Valve</u> Unclassified

<u>TYPE OF VALVE</u> :- Tubular Neon Indicator		<u>MARKING</u>	
<u>PROTOTYPE</u> :- RCA stock No.19128 RAF Ref. No.110E/61		See K1001/4.	
<u>RATING</u>		<u>DIMENSIONS AND CONNECTIONS</u>	
Striking Voltage (V)	145-210	Note	
		See Fig.1.	
		<u>PACKING</u>	
		See K1001/7.	
<u>NOTE</u>			
1. The tube is to be filled with neon at a pressure of about 10 mm. of mercury.			

TESTS

To be performed in addition to those applicable in K1001.

	Test Conditions	Test	Limits		No. Tested
			Min.	Max.	
a	D.C. Voltage (wire-ve) applied between wire and plates slowly raised until a discharge occurs.	Striking Voltage (V)	145	210	100%
b	Voltage adjusted for a glow along 20 mm. of the wire measured from A on Fig.1.	Decrease in voltage from value in test 'a' (V)	-	50	100%
c	Voltage adjusted for a glow along 130 mm. of the wire measured from A on Fig.1.	Increase in voltage from value in test 'b' (V)	8	100	100%



SHIELD MADE OF BAKELISED FABRIC OR OTHER SUITABLE MATERIAL. IT IS MADE SLIGHTLY MORE THAN HALF CYLINDRICAL AND CLIPS ON TO THE GLASS TUBE WITH A SPRING ACTION. IT MUST BE SUCH THAT IT CAN GRIP AT ALL PARTS OF THE TUBE.

ALL DIMENSIONS ARE IN MILLIMETRES.