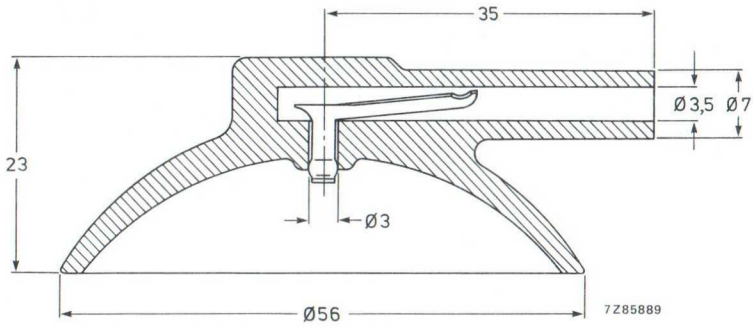


FINAL ACCELERATOR CONTACT CONNECTOR



Insulating material: silicon rubber.