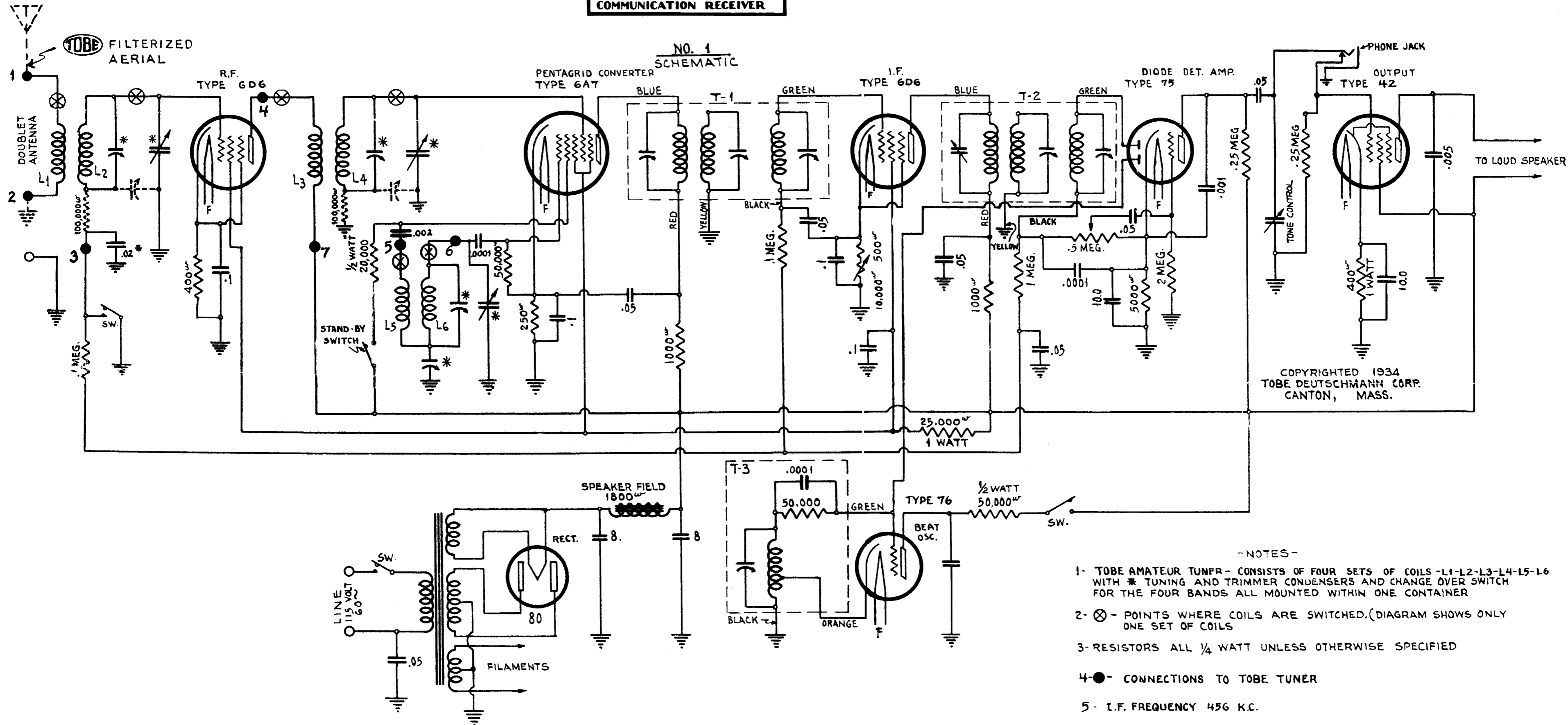


TOBE AMATEUR COMMUNICATION RECEIVER

NO. 1 SCHEMATIC



COPYRIGHTED 1934
TOBE DEUTSCHMANN CORP.
CANTON, MASS.

- NOTES -

- 1- TOBE AMATEUR TUNER - CONSISTS OF FOUR SETS OF COILS -L1-L2-L3-L4-L5-L6 WITH * TUNING AND TRIMMER CONDENSERS AND CHANGE OVER SWITCH FOR THE FOUR BANDS ALL MOUNTED WITHIN ONE CONTAINER
- 2- ⊗ - POINTS WHERE COILS ARE SWITCHED. (DIAGRAM SHOWS ONLY ONE SET OF COILS)
- 3- RESISTORS ALL 1/4 WATT UNLESS OTHERWISE SPECIFIED
- 4- ● - CONNECTIONS TO TOBE TUNER
- 5- I.F. FREQUENCY 456 K.C.